

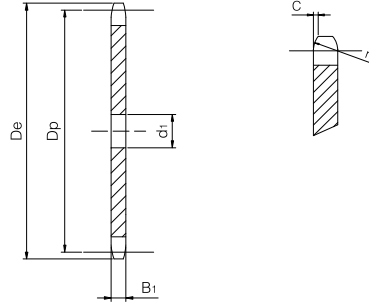
Simplex plate wheel

for chain according to DIN 8187 - ISO/R 606



ISO 32B-1 Pitch 2" x 1 1/4

PLATE WHEEL	[mm]
Tooth radius r_3	51
Radius width C	6
Tooth width B_1	29,4
CHAIN	[mm]
Pitch	50,8
Internal width	30,99
Roller ϕ	29,21



Z	D_e [mm]	D_p [mm]	d_1 [mm]	W [kg]	Part number
8	153,00	132,69	25	3,09	QCS32B1-008
9	169,00	148,54	25	3,91	QCS32B1-009
10	185,00	164,44	25	4,81	QCS32B1-010
11	200,80	180,34	30	5,76	QCS32B1-011
12	216,80	196,29	30	6,86	QCS32B1-012
13	232,80	212,29	30	8,05	QCS32B1-013
14	248,80	228,29	30	9,34	QCS32B1-014
15	264,80	244,30	30	10,72	QCS32B1-015
16	280,90	260,40	30	12,20	QCS32B1-016
17	296,90	276,40	30	13,77	QCS32B1-017
18	313,00	292,55	30	15,44	QCS32B1-018
19	329,10	308,66	30	17,21	QCS32B1-019
20	345,20	324,71	30	19,06	QCS32B1-020
21	361,30	340,82	30	21,02	QCS32B1-021
22	377,50	356,98	30	23,08	QCS32B1-022
23	393,60	373,08	30	25,22	QCS32B1-023
24	409,70	389,18	30	27,46	QCS32B1-024
25	425,80	405,33	30	29,80	QCS32B1-025
26	441,90	421,44	30	32,23	QCS32B1-026
27	458,10	437,59	30	34,76	QCS32B1-027
28	474,20	453,69	30	37,38	QCS32B1-028
29	490,40	469,90	30	40,11	QCS32B1-029
30	506,50	486,00	30	42,92	QCS32B1-030
32	538,80	518,26	30	48,83	QCS32B1-032
35	589,50	566,72	30	58,42	QCS32B1-035
38	635,50	615,14	30	68,86	QCS32B1-038
40	670,30	647,49	40	76,18	QCS32B1-040
45	751,00	728,25	40	96,45	QCS32B1-045
50	831,80	809,04	40	119,10	QCS32B1-050
57	945,00	922,16	40	154,83	QCS32B1-057
60	993,40	970,65	40	171,57	QCS32B1-060
76	1252,00	1229,30	40	275,37	QCS32B1-076

Material	Steel C45 (Fe360B with $Z \geq 12$)
D_e	External diameter
D_p	Pitch diameter
W	Weight

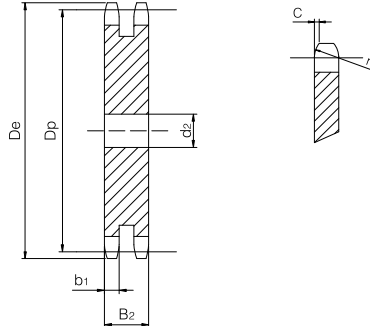
Duplex plate wheel

for chain according to DIN 8187 - ISO/R 606

ISO 32B-2 Pitch 2" x 1 1/4



PLATE WHEEL	[mm]
Tooth radius r_3	51
Radius width C	6
Tooth width b_1	28,8
Tooth width B_2	87,4
CHAIN	[mm]
Pitch	50,8
Internal width	30,99
Roller ϕ	29,21



Z	D_e [mm]	D_p [mm]	d_2 [mm]	W [kg]	Part number
8	152,00	132,74	25	9,78	QCD32B2-008
9	169,00	148,54	25	11,63	QCD32B2-009
10	185,00	164,44	25	14,32	QCD32B2-010
11	200,80	180,34	30	17,15	QCD32B2-011
12	216,80	196,29	30	20,41	QCD32B2-012
13	232,80	212,29	30	23,95	QCD32B2-013
14	248,80	228,29	30	27,77	QCD32B2-014
15	264,80	244,30	30	31,88	QCD32B2-015
16	280,90	260,40	30	36,28	QCD32B2-016
17	296,90	276,40	30	40,94	QCD32B2-017
18	313,00	292,55	30	45,92	QCD32B2-018
19	329,10	308,66	30	51,18	QCD32B2-019
20	345,20	324,71	30	56,69	QCD32B2-020
21	361,30	340,82	30	62,50	QCD32B2-021
22	377,50	356,98	30	68,62	QCD32B2-022
23	393,60	373,08	30	74,99	QCD32B2-023
24	409,70	389,18	30	81,65	QCD32B2-024
25	425,80	405,33	30	88,61	QCD32B2-025
26	441,90	421,44	30	95,83	QCD32B2-026
27	458,10	437,59	30	103,35	QCD32B2-027
28	474,20	453,69	30	111,13	QCD32B2-028
30	506,50	486,00	30	127,60	QCD32B2-030
35	589,50	566,72	30	173,68	QCD32B2-035
38	635,50	615,14	30	204,71	QCD32B2-038
40	670,30	647,49	40	226,48	QCD32B2-040
45	751,00	728,25	40	286,73	QCD32B2-045
50	831,80	809,04	40	354,08	QCD32B2-050
57	945,00	922,16	40	460,28	QCD32B2-057
60	993,40	970,65	40	510,05	QCD32B2-060
76	1252,00	1229,30	40	818,62	QCD32B2-076

Material	Steel C45 (Fe360B with $Z \geq 12$)
D_e	External diameter
D_p	Pitch diameter
W	Weight

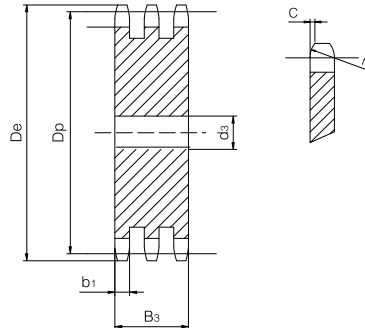
Triplex plate wheel

for chain according to DIN 8187 - ISO/R 606



ISO 32B-3 Pitch 2" x 1" 1/4

PLATE WHEEL	[mm]
Tooth radius r_3	51
Radius width C	6
Tooth width b_1	28,8
Tooth width B_3	146
CHAIN	[mm]
Pitch	50,8
Internal width	30,99
Roller ϕ	29,21



Z	D_e [mm]	D_p [mm]	d_3 [mm]	W [kg]	Part number
8	153,00	132,69	25	15,38	QCT32B3-008
9	169,00	148,54	25	19,42	QCT32B3-009
10	185,00	164,44	25	23,93	QCT32B3-010
11	200,80	180,34	30	28,65	QCT32B3-011
12	216,80	196,29	30	34,09	QCT32B3-012
13	232,80	212,29	30	40,01	QCT32B3-013
14	248,80	228,29	30	46,40	QCT32B3-014
15	264,80	244,30	30	53,25	QCT32B3-015
16	280,90	260,40	30	60,61	QCT32B3-016
17	296,90	276,40	30	68,39	QCT32B3-017
18	313,00	292,55	30	76,71	QCT32B3-018
19	329,10	308,66	30	85,49	QCT32B3-019
20	345,20	324,71	30	94,70	QCT32B3-020
21	361,30	340,82	40	103,78	QCT32B3-021
22	377,50	356,98	40	113,99	QCT32B3-022
23	393,60	373,08	40	124,64	QCT32B3-023
24	409,70	389,18	40	135,76	QCT32B3-024
25	425,80	405,33	40	147,38	QCT32B3-025
26	441,90	421,44	40	159,45	QCT32B3-026
27	458,10	437,59	40	172,01	QCT32B3-027
28	474,20	453,69	40	185,01	QCT32B3-028
30	506,50	486,00	40	212,52	QCT32B3-030
35	589,50	566,72	40	289,49	QCT32B3-035
38	635,50	615,14	40	341,33	QCT32B3-038
40	670,30	647,49	40	378,33	QCT32B3-040
45	751,00	728,25	40	478,98	QCT32B3-045
50	831,80	809,04	40	591,49	QCT32B3-050
57	945,00	922,16	40	768,89	QCT32B3-057
60	993,40	970,65	40	852,03	QCT32B3-060
76	1252,00	1229,30	40	1367,49	QCT32B3-076

Material	Steel C45 (Fe360B with Z \geq 12)
D_e	External diameter
D_p	Pitch diameter
W	Weight