

# Simplex plate wheel

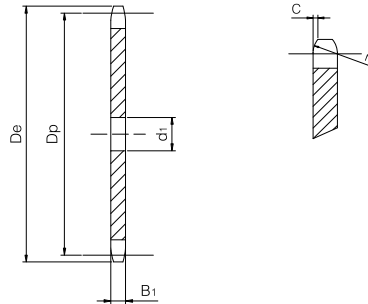
for chain according to DIN 8187 - ISO/R 606

## ISO 28B-1

### Pitch 1"3/4 x 1"1/4



PLATE WHEEL	[mm]
Tooth radius $r_3$	44
Radius width C	5
Tooth width $B_1$	29,4
CHAIN	[mm]
Pitch	44,45
Internal width	30,99
Roller $\phi$	27,94



Z	$D_e$ [mm]	$D_p$ [mm]	$d_1$ [mm]	W [kg]	Part number
8	132,00	116,15	20	2,38	QCS28B1-008
9	148,40	129,96	20	3,00	QCS28B1-009
10	162,30	143,85	20	3,70	QCS28B1-010
11	176,30	157,77	25	4,42	QCS28B1-011
12	189,50	171,74	25	5,26	QCS28B1-012
13	204,20	185,74	25	6,17	QCS28B1-013
14	218,20	199,76	25	7,16	QCS28B1-014
15	232,30	213,79	25	8,22	QCS28B1-015
16	246,30	227,84	30	9,30	QCS28B1-016
17	260,00	241,91	30	10,51	QCS28B1-017
18	274,00	255,98	30	11,78	QCS28B1-018
19	289,00	270,06	30	13,13	QCS28B1-019
20	303,00	284,15	30	14,56	QCS28B1-020
21	317,00	298,24	30	16,06	QCS28B1-021
22	331,00	312,34	30	17,63	QCS28B1-022
23	345,00	326,44	30	19,27	QCS28B1-023
24	359,00	340,55	30	20,99	QCS28B1-024
25	373,00	354,66	30	22,78	QCS28B1-025
26	387,00	368,77	30	24,64	QCS28B1-026
27	401,40	382,88	30	26,57	QCS28B1-027
28	416,00	397,00	30	28,58	QCS28B1-028
29	430,00	411,12	30	30,66	QCS28B1-029
30	444,00	425,24	30	32,82	QCS28B1-030
31	458,00	439,37	30	35,05	QCS28B1-031
32	472,00	453,49	30	37,35	QCS28B1-032
33	486,00	467,62	30	39,72	QCS28B1-033
34	500,00	481,75	30	42,17	QCS28B1-034
35	514,00	495,88	30	44,69	QCS28B1-035
36	529,00	510,01	30	47,28	QCS28B1-036
37	543,00	524,14	30	49,94	QCS28B1-037
38	557,00	538,27	30	52,68	QCS28B1-038
39	571,00	552,40	30	55,49	QCS28B1-039
40	585,00	566,54	30	58,38	QCS28B1-040
45	656,00	637,22	30	73,90	QCS28B1-045
50	726,00	707,91	30	91,25	QCS28B1-050
57	825,00	806,89	40	118,47	QCS28B1-057
60	869,00	849,32	40	131,29	QCS28B1-060
76	1095,00	1075,60	40	210,74	QCS28B1-076

Material	Steel C45 (Fe360B with Z $\geq$ 13)
$D_e$	External diameter
$D_p$	Pitch diameter
W	Weight

# Duplex plate wheel

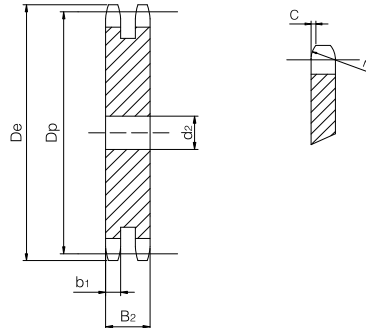
for chain according to DIN 8187 - ISO/R 606

## ISO 28B-2

Pitch 1"3/4 x 1"1/4



PLATE WHEEL	[mm]
Tooth radius $r_3$	44
Radius width C	5
Tooth width $b_1$	28,8
Tooth width $B_2$	88,4
CHAIN	[mm]
Pitch	44,45
Internal width	30,99
Roller $\phi$	27,94



Z	$D_e$ [mm]	$D_p$ [mm]	$d_2$ [mm]	W [kg]	Part number
8	132,00	116,15	25	7,05	QCD28B2-008
9	148,40	129,96	25	8,92	QCD28B2-009
10	162,30	143,85	25	11,00	QCD28B2-010
11	176,30	157,77	25	13,30	QCD28B2-011
12	189,50	171,74	25	15,83	QCD28B2-012
13	204,20	185,74	25	18,57	QCD28B2-013
14	218,20	199,76	25	21,54	QCD28B2-014
15	232,30	213,79	25	24,72	QCD28B2-015
16	246,30	227,84	30	27,97	QCD28B2-016
17	260,00	241,91	30	31,60	QCD28B2-017
18	274,00	255,98	30	35,44	QCD28B2-018
19	289,00	270,06	30	39,50	QCD28B2-019
20	303,00	284,15	30	43,79	QCD28B2-020
21	317,00	298,24	30	48,29	QCD28B2-021
22	331,00	312,34	30	53,01	QCD28B2-022
23	345,00	326,44	30	57,95	QCD28B2-023
24	359,00	340,55	30	63,11	QCD28B2-024
25	373,00	354,66	30	68,49	QCD28B2-025
26	387,00	368,77	30	74,09	QCD28B2-026
27	401,40	382,88	30	79,91	QCD28B2-027
28	416,00	397,00	30	85,95	QCD28B2-028
29	430,00	411,12	30	92,21	QCD28B2-029
30	444,00	425,24	30	98,68	QCD28B2-030
31	458,00	439,37	30	105,39	QCD28B2-031
32	472,00	453,49	30	112,30	QCD28B2-032
33	486,00	467,62	30	119,44	QCD28B2-033
34	500,00	481,75	30	126,80	QCD28B2-034
35	514,00	495,88	30	134,37	QCD28B2-035
36	529,00	510,01	30	142,17	QCD28B2-036
37	543,00	524,14	30	150,18	QCD28B2-037
38	557,00	538,27	30	158,42	QCD28B2-038
39	571,00	552,40	30	166,87	QCD28B2-039
40	585,00	566,54	30	175,55	QCD28B2-040
45	656,00	637,22	30	222,22	QCD28B2-045
50	726,00	707,91	30	274,37	QCD28B2-050
57	825,00	806,89	40	356,22	QCD28B2-057
60	869,00	849,32	40	394,77	QCD28B2-060
76	1095,00	1075,60	40	633,67	QCD28B2-076

Material	Steel C45 (Fe360B with Z $\geq$ 13)
$D_e$	External diameter
$D_p$	Pitch diameter
W	Weight

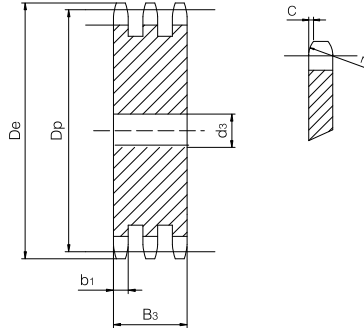
# Triplex plate wheel

for chain according to DIN 8187 - ISO/R 606



## ISO 28B-3 Pitch 1"3/4 x 1"1/4

PLATE WHEEL	[mm]
Tooth radius $r_3$	44
Radius width C	5
Tooth width $b_1$	28,8
Tooth width $B_3$	148
CHAIN	[mm]
Pitch	44,45
Internal width	30,99
Roller $\phi$	27,94



Z	De [mm]	Dp [mm]	d3 [mm]	W [kg]	Part number
8	132,00	116,15	25	11,81	QCT28B3-008
9	148,40	129,96	25	14,94	QCT28B3-009
10	162,30	143,85	25	18,43	QCT28B3-010
11	176,30	157,77	30	22,03	QCT28B3-011
12	189,50	171,74	30	26,26	QCT28B3-012
13	204,20	185,74	30	30,85	QCT28B3-013
14	218,20	199,76	30	35,82	QCT28B3-014
15	232,30	213,79	30	41,14	QCT28B3-015
16	246,30	227,84	30	46,84	QCT28B3-016
17	260,00	241,91	30	52,91	QCT28B3-017
18	274,00	255,98	30	59,35	QCT28B3-018
19	289,00	270,06	30	66,15	QCT28B3-019
20	303,00	284,15	30	73,32	QCT28B3-020
21	317,00	298,24	30	80,85	QCT28B3-021
22	331,00	312,34	30	88,76	QCT28B3-022
23	345,00	326,44	30	97,03	QCT28B3-023
24	359,00	340,55	30	105,67	QCT28B3-024
25	373,00	354,66	40	114,04	QCT28B3-025
26	387,00	368,77	40	123,41	QCT28B3-026
27	401,40	382,88	40	133,15	QCT28B3-027
28	416,00	397,00	40	143,26	QCT28B3-028
29	430,00	411,12	40	153,74	QCT28B3-029
30	444,00	425,24	40	164,58	QCT28B3-030
31	458,00	439,37	40	175,80	QCT28B3-031
32	472,00	453,49	40	187,38	QCT28B3-032
33	486,00	467,62	40	199,33	QCT28B3-033
34	500,00	481,75	40	211,65	QCT28B3-034
35	514,00	495,88	40	224,33	QCT28B3-035
36	529,00	510,01	40	237,39	QCT28B3-036
37	543,00	524,14	40	250,81	QCT28B3-037
38	557,00	538,27	40	264,59	QCT28B3-038
39	571,00	552,40	40	278,74	QCT28B3-039
40	585,00	566,54	40	293,27	QCT28B3-040
45	656,00	637,22	40	371,40	QCT28B3-045
50	726,00	707,91	40	458,72	QCT28B3-050
57	825,00	806,89	40	596,40	QCT28B3-057
60	869,00	849,32	40	660,93	QCT28B3-060
76	1095,00	1075,60	40	1060,91	QCT28B3-076

Material	Steel C45 (Fe360B with Z $\geq$ 13)
De	External diameter
Dp	Pitch diameter
W	Weight