

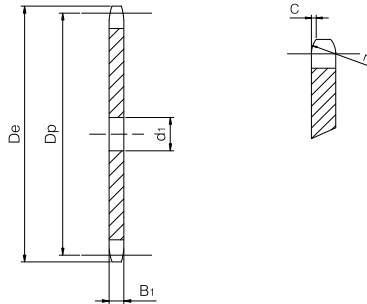
# Simplex plate wheel

for chain according to DIN 8187 - ISO/R 606

## ISO 24B-1 Pitch 1"1/2 x 1"



PLATE WHEEL	[mm]
Tooth radius $r_3$	38
Radius width C	4
Tooth width $B_1$	24,1
CHAIN	[mm]
Pitch	38,1
Internal width	25,4
Roller $\phi$	25,4



Z	De [mm]	Dp [mm]	d1 [mm]	W [kg]	Part number
8	115,00	99,55	20	1,42	QCS24B1-008
9	126,40	111,40	20	1,79	QCS24B1-009
10	138,00	123,29	20	2,21	QCS24B1-010
11	150,00	135,21	20	2,67	QCS24B1-011
12	162,00	147,22	20	3,18	QCS24B1-012
13	174,20	159,18	20	3,72	QCS24B1-013
14	186,20	171,22	20	4,32	QCS24B1-014
15	198,20	183,26	20	4,96	QCS24B1-015
16	210,30	195,30	25	5,61	QCS24B1-016
17	222,30	207,34	25	6,33	QCS24B1-017
18	234,30	219,42	25	7,10	QCS24B1-018
19	246,50	231,49	25	7,91	QCS24B1-019
20	258,60	243,57	25	8,77	QCS24B1-020
21	270,60	255,65	25	9,67	QCS24B1-021
22	282,70	267,73	25	10,62	QCS24B1-022
23	294,80	279,80	25	11,61	QCS24B1-023
24	306,80	291,88	25	12,64	QCS24B1-024
25	319,00	304,00	25	13,72	QCS24B1-025
26	331,00	316,08	30	14,80	QCS24B1-026
27	343,20	328,19	30	15,97	QCS24B1-027
28	355,20	340,27	30	17,17	QCS24B1-028
29	367,30	352,38	30	18,43	QCS24B1-029
30	379,50	364,50	30	19,73	QCS24B1-030
31	391,60	376,62	30	21,07	QCS24B1-031
32	403,70	388,69	30	22,45	QCS24B1-032
33	415,80	400,81	30	23,88	QCS24B1-033
34	427,80	412,93	30	25,36	QCS24B1-034
35	440,00	425,04	30	26,87	QCS24B1-035
36	452,00	437,16	30	28,44	QCS24B1-036
37	464,20	449,27	30	30,04	QCS24B1-037
38	476,20	461,39	30	31,69	QCS24B1-038
39	488,50	473,50	30	33,39	QCS24B1-039
40	500,60	485,62	30	35,12	QCS24B1-040
41	512,60	497,72	30	36,90	QCS24B1-041
42	524,70	509,83	30	38,73	QCS24B1-042
43	536,80	521,95	30	40,60	QCS24B1-043

Z	De [mm]	Dp [mm]	d1 [mm]	W [kg]	Part number
44	549,00	534,07	30	42,51	QCS24B1-044
45	561,20	546,19	30	44,47	QCS24B1-045
46	573,30	558,30	30	46,47	QCS24B1-046
47	585,40	570,42	30	48,52	QCS24B1-047
48	597,40	582,54	30	50,60	QCS24B1-048
49	609,50	594,66	30	52,74	QCS24B1-049
50	621,70	606,78	30	54,92	QCS24B1-050
51	633,80	618,90	30	57,14	QCS24B1-051
52	646,00	631,01	30	59,40	QCS24B1-052
53	658,00	643,13	30	61,71	QCS24B1-053
54	670,20	655,28	30	64,07	QCS24B1-054
55	682,30	667,40	30	66,47	QCS24B1-055
56	694,40	679,51	30	68,90	QCS24B1-056
57	706,50	691,63	30	71,39	QCS24B1-057
58	718,60	703,74	30	73,92	QCS24B1-058
59	730,70	715,86	30	76,49	QCS24B1-059
60	742,80	727,97	30	79,10	QCS24B1-060
62	767,20	752,24	40	84,37	QCS24B1-062
64	791,30	776,48	40	89,91	QCS24B1-064
65	803,40	788,59	40	92,75	QCS24B1-065
66	815,60	800,71	40	95,63	QCS24B1-066
68	839,80	824,98	40	101,53	QCS24B1-068
70	864,20	849,21	40	107,59	QCS24B1-070
72	888,40	873,48	40	113,84	QCS24B1-072
75	924,80	909,83	40	123,54	QCS24B1-075
76	936,90	921,98	40	126,87	QCS24B1-076
80	985,40	970,44	40	140,58	QCS24B1-080
85	1046,00	1031,10	40	158,73	QCS24B1-085
95	1167,30	1152,33	40	198,31	QCS24B1-095

Material	Steel C45 (Fe360B with Z ≥ 16)
De	External diameter
Dp	Pitch diameter
W	Weight

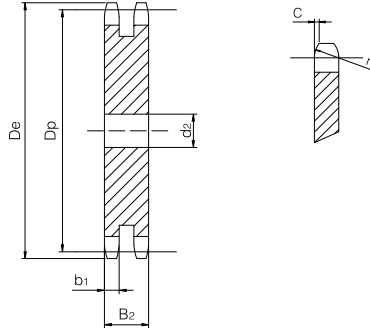
# Duplex plate wheel

for chain according to DIN 8187 - ISO/R 606

## ISO 24B-2 Pitch 1"1/2 x 1"



PLATE WHEEL	[mm]
Tooth radius $r_3$	38
Radius width C	4
Tooth width $b_1$	23,6
Tooth width $B_2$	72
CHAIN	[mm]
Pitch	38,1
Internal width	25,4
Roller $\phi$	25,4



Z	De [mm]	Dp [mm]	d2 [mm]	W [kg]	Part number
8	115,00	99,55	25	4,14	QCD24B2-008
9	126,40	111,40	25	5,26	QCD24B2-009
10	138,00	123,29	25	6,51	QCD24B2-010
11	150,00	135,21	25	7,88	QCD24B2-011
12	162,00	147,22	25	9,40	QCD24B2-012
13	174,20	159,18	25	11,04	QCD24B2-013
14	186,20	171,22	25	12,81	QCD24B2-014
15	198,20	183,26	25	14,72	QCD24B2-015
16	210,30	195,30	25	16,76	QCD24B2-016
17	222,30	207,34	25	18,92	QCD24B2-017
18	234,30	219,42	25	21,22	QCD24B2-018
19	246,50	231,49	25	23,66	QCD24B2-019
20	258,60	243,57	25	26,22	QCD24B2-020
21	270,60	255,65	25	28,91	QCD24B2-021
22	282,70	267,73	25	31,74	QCD24B2-022
23	294,80	279,80	25	34,69	QCD24B2-023
24	306,80	291,88	25	37,77	QCD24B2-024
25	319,00	304,00	25	41,00	QCD24B2-025
26	331,00	316,08	30	44,22	QCD24B2-026
27	343,20	328,19	30	47,71	QCD24B2-027
28	355,20	340,27	30	51,32	QCD24B2-028
29	367,30	352,38	30	55,06	QCD24B2-029
30	379,50	364,50	30	58,95	QCD24B2-030
31	391,60	376,62	30	62,96	QCD24B2-031
32	403,70	388,69	30	67,09	QCD24B2-032
33	415,80	400,81	30	71,36	QCD24B2-033
34	427,80	412,93	30	75,77	QCD24B2-034
35	440,00	425,04	30	80,30	QCD24B2-035
36	452,00	437,16	30	84,97	QCD24B2-036
37	464,20	449,27	30	89,76	QCD24B2-037
38	476,20	461,39	30	94,69	QCD24B2-038
39	488,50	473,50	30	99,75	QCD24B2-039
40	500,60	485,62	30	104,94	QCD24B2-040
42	524,70	509,83	40	115,40	QCD24B2-042
45	561,20	546,19	40	132,55	QCD24B2-045
46	573,30	558,30	40	138,53	QCD24B2-046

Z	De [mm]	Dp [mm]	d2 [mm]	W [kg]	Part number
48	597,40	582,54	40	150,88	QCD24B2-048
50	621,70	606,78	40	163,76	QCD24B2-050
55	682,30	667,40	40	198,27	QCD24B2-055
57	706,50	691,63	40	212,98	QCD24B2-057
60	742,80	727,97	40	236,02	QCD24B2-060
65	803,40	788,59	40	277,09	QCD24B2-065
76	936,90	921,98	40	379,03	QCD24B2-076

Material	Steel C45 (Fe360B with Z ≥ 16)
De	External diameter
Dp	Pitch diameter
W	Weight

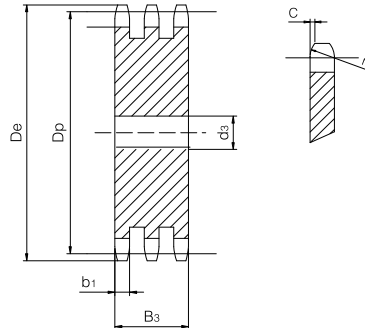
# Triplex plate wheel

for chain according to DIN 8187 - ISO/R 606



## ISO 24B-3 Pitch 1"1/2 x 1"

PLATE WHEEL	[mm]
Tooth radius $r_3$	38
Radius width C	4
Tooth width $b_1$	23,6
Tooth width $B_3$	120,3
CHAIN	[mm]
Pitch	38,1
Internal width	25,4
Roller $\varnothing$	25,4



Z	De [mm]	Dp [mm]	d3 [mm]	W [kg]	Part number
8	115,00	99,55	25	6,93	QCT24B3-008
9	126,40	111,40	25	8,80	QCT24B3-009
10	138,00	123,29	25	10,88	QCT24B3-010
11	150,00	135,21	25	13,18	QCT24B3-011
12	162,00	147,22	25	15,71	QCT24B3-012
13	174,20	159,18	25	18,45	QCT24B3-013
14	186,20	171,22	25	21,42	QCT24B3-014
15	198,20	183,26	25	24,60	QCT24B3-015
16	210,30	195,30	25	28,00	QCT24B3-016
17	222,30	207,34	25	31,62	QCT24B3-017
18	234,30	219,42	25	35,47	QCT24B3-018
19	246,50	231,49	25	39,53	QCT24B3-019
20	258,60	243,57	25	43,82	QCT24B3-020
21	270,60	255,65	30	48,11	QCT24B3-021
22	282,70	267,73	30	52,83	QCT24B3-022
23	294,80	279,80	30	57,76	QCT24B3-023
24	306,80	291,88	30	62,92	QCT24B3-024
25	319,00	304,00	30	68,31	QCT24B3-025
26	331,00	316,08	30	73,90	QCT24B3-026
27	343,20	328,19	30	79,72	QCT24B3-027
28	355,20	340,27	30	85,75	QCT24B3-028
29	367,30	352,38	30	92,01	QCT24B3-029
30	379,50	364,50	40	97,98	QCT24B3-030
31	391,60	376,62	40	104,68	QCT24B3-031
32	403,70	388,69	40	111,57	QCT24B3-032
33	415,80	400,81	40	118,72	QCT24B3-033
34	427,80	412,93	40	126,08	QCT24B3-034
35	440,00	425,04	40	133,65	QCT24B3-035
36	452,00	437,16	40	141,45	QCT24B3-036
37	464,20	449,27	40	149,47	QCT24B3-037
38	476,20	461,39	40	157,70	QCT24B3-038
39	488,50	473,50	40	166,15	QCT24B3-039
40	500,60	485,62	40	174,83	QCT24B3-040
42	524,70	509,83	40	192,82	QCT24B3-042
45	561,20	546,19	40	221,48	QCT24B3-045
46	573,30	558,30	40	231,46	QCT24B3-046

Z	De [mm]	Dp [mm]	d3 [mm]	W [kg]	Part number
48	597,40	582,54	40	252,11	QCT24B3-048
50	621,70	606,78	40	273,62	QCT24B3-050
55	682,30	667,40	40	331,28	QCT24B3-055
57	706,50	691,63	40	355,86	QCT24B3-057
60	742,80	727,97	40	394,36	QCT24B3-060
65	803,40	788,59	40	462,98	QCT24B3-065
76	936,90	921,98	40	633,30	QCT24B3-076

Material	Steel C45 (Fe360B with Z ≥ 16)
De	External diameter
Dp	Pitch diameter
W	Weight