

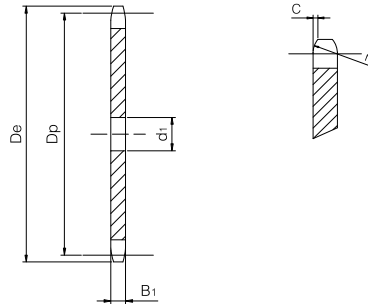
# Simplex plate wheel

for chain according to DIN 8187 - ISO/R 606

## ISO 20B-1 Pitch 1"1/4 x 3/4"



PLATE WHEEL	[mm]
Tooth radius $r_3$	32
Radius width C	3,5
Tooth width $B_1$	18,5
CHAIN	[mm]
Pitch	31,75
Internal width	19,56
Roller $\phi$	19,05



Z	De [mm]	Dp [mm]	d1 [mm]	W [kg]	Part number
8	98,10	82,96	16	0,76	QCS20B1-008
9	108,00	92,84	16	0,96	QCS20B1-009
10	117,90	102,74	16	1,18	QCS20B1-010
11	127,80	112,68	16	1,42	QCS20B1-011
12	137,80	122,68	20	1,68	QCS20B1-012
13	147,80	132,65	20	1,97	QCS20B1-013
14	157,80	142,68	20	2,29	QCS20B1-014
15	167,90	152,72	20	2,63	QCS20B1-015
16	177,90	162,75	20	2,99	QCS20B1-016
17	187,90	172,78	20	3,38	QCS20B1-017
18	198,00	182,85	20	3,79	QCS20B1-018
19	208,10	192,91	20	4,22	QCS20B1-019
20	218,10	202,98	20	4,68	QCS20B1-020
21	228,20	213,04	25	5,13	QCS20B1-021
22	238,30	223,11	25	5,64	QCS20B1-022
23	248,30	233,17	25	6,16	QCS20B1-023
24	258,40	243,23	25	6,71	QCS20B1-024
25	268,50	253,33	25	7,29	QCS20B1-025
26	278,60	263,40	25	7,89	QCS20B1-026
27	288,60	273,49	25	8,51	QCS20B1-027
28	298,70	283,56	25	9,1578	QCS20B1-028
29	308,80	293,65	25	9,82	QCS20B1-029
30	318,90	303,75	25	10,51	QCS20B1-030
31	329,00	313,85	25	11,23	QCS20B1-031
32	339,10	323,91	25	11,97	QCS20B1-032
33	349,20	334,01	25	12,73	QCS20B1-033
34	359,30	344,10	25	13,51	QCS20B1-034
35	369,40	354,20	25	14,32	QCS20B1-035
36	379,50	364,30	25	15,16	QCS20B1-036
37	389,50	374,39	25	16,01	QCS20B1-037
38	399,60	384,49	25	16,89	QCS20B1-038
39	409,70	394,59	25	17,80	QCS20B1-039
40	419,80	404,69	25	18,72	QCS20B1-040
41	429,90	414,77	30	19,64	QCS20B1-041
42	440,00	424,86	30	20,61	QCS20B1-042
43	450,10	434,96	30	21,61	QCS20B1-043

Z	De [mm]	Dp [mm]	d1 [mm]	W [kg]	Part number
44	460,20	445,06	30	22,63	QCS20B1-044
45	470,30	455,17	30	23,67	QCS20B1-045
46	480,40	465,25	30	24,74	QCS20B1-046
47	490,50	475,35	30	25,83	QCS20B1-047
48	500,60	485,45	30	26,94	QCS20B1-048
49	510,70	495,55	30	28,08	QCS20B1-049
50	520,80	505,65	30	29,24	QCS20B1-050
51	530,90	515,75	30	30,42	QCS20B1-051
52	541,00	525,85	30	31,63	QCS20B1-052
53	551,10	535,95	30	32,86	QCS20B1-053
54	561,20	546,05	30	34,12	QCS20B1-054
55	571,30	556,15	30	35,40	QCS20B1-055
56	581,40	566,25	30	36,70	QCS20B1-056
57	591,50	576,35	30	38,02	QCS20B1-057
58	601,60	586,45	30	39,37	QCS20B1-058
59	611,70	596,56	30	40,74	QCS20B1-059
60	621,80	606,66	30	42,14	QCS20B1-060
62	642,00	626,86	30	45,00	QCS20B1-062
64	662,20	647,07	30	47,95	QCS20B1-064
65	672,30	657,17	30	49,46	QCS20B1-065
66	682,40	667,27	30	51,00	QCS20B1-066
68	702,60	687,48	30	54,14	QCS20B1-068
70	722,80	707,68	30	57,38	QCS20B1-070
72	743,10	727,89	30	60,71	QCS20B1-072
75	773,30	758,20	30	65,88	QCS20B1-075
76	783,50	768,32	30	67,65	QCS20B1-076
80	823,90	808,71	30	74,96	QCS20B1-080
85	874,40	859,23	30	84,64	QCS20B1-085
90	924,90	909,76	30	94,90	QCS20B1-090
95	975,20	960,28	30	105,74	QCS20B1-095
100	1026,00	1010,80	30	117,17	QCS20B1-100
114	1167,40	1152,26	30	152,29	QCS20B1-114

Material	Steel C45 (Fe360B with Z ≥ 26)
De	External diameter
Dp	Pitch diameter
W	Weight

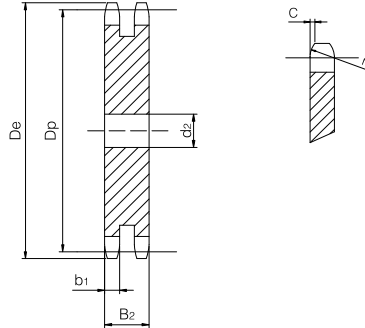
## Duplex plate wheel

for chain according to DIN 8187 - ISO/R 606

### ISO 20B-2 Pitch 1"1/4 x 3/4"



PLATE WHEEL	[mm]
Tooth radius $r_3$	32
Radius width C	3,5
Tooth width $b_1$	18,2
Tooth width $B_2$	54,6
CHAIN	[mm]
Pitch	31,75
Internal width	19,56
Roller $\phi$	19,05



Z	$D_e$ [mm]	$D_p$ [mm]	$d_2$ [mm]	W [kg]	Part number
8	98,10	82,96	20	2,19	QCD20B2-008
9	108,00	92,84	20	2,78	QCD20B2-009
10	117,90	102,74	20	3,44	QCD20B2-010
11	127,80	112,68	20	4,16	QCD20B2-011
12	137,80	122,68	20	4,96	QCD20B2-012
13	147,80	132,65	20	5,82	QCD20B2-013
14	157,80	142,68	20	6,76	QCD20B2-014
15	167,90	152,72	20	7,76	QCD20B2-015
16	177,90	162,75	25	8,76	QCD20B2-016
17	187,90	172,78	25	9,90	QCD20B2-017
18	198,00	182,85	25	11,11	QCD20B2-018
19	208,10	192,91	25	12,39	QCD20B2-019
20	218,10	202,98	25	13,74	QCD20B2-020
21	228,20	213,04	25	15,16	QCD20B2-021
22	238,30	223,11	25	16,65	QCD20B2-022
23	248,30	233,17	25	18,206	QCD20B2-023
24	258,40	243,23	25	19,83	QCD20B2-024
25	268,50	253,33	25	21,52	QCD20B2-025
26	278,60	263,40	25	23,29	QCD20B2-026
27	288,60	273,49	25	25,12	QCD20B2-027
28	298,70	283,56	25	27,02	QCD20B2-028
29	308,80	293,65	25	29,00	QCD20B2-029
30	318,90	303,75	25	31,04	QCD20B2-030
31	329,00	313,85	25	33,15	QCD20B2-031
32	339,10	323,91	25	35,33	QCD20B2-032
33	349,20	334,01	25	37,58	QCD20B2-033
34	359,30	344,10	25	39,90	QCD20B2-034
35	369,40	354,20	25	42,29	QCD20B2-035
36	379,50	364,30	30	44,65	QCD20B2-036
37	389,50	374,39	30	47,18	QCD20B2-037
38	399,60	384,49	30	49,77	QCD20B2-038
39	409,70	394,59	30	52,44	QCD20B2-039
40	419,80	404,69	30	55,17	QCD20B2-040
42	440,00	424,86	30	60,84	QCD20B2-042
45	470,30	455,17	30	69,88	QCD20B2-045
46	480,40	465,25	30	73,02	QCD20B2-046

Z	$D_e$ [mm]	$D_p$ [mm]	$d_2$ [mm]	W [kg]	Part number
48	500,60	485,45	30	79,53	QCD20B2-048
50	520,80	505,65	30	86,31	QCD20B2-050
52	541,00	525,85	30	93,37	QCD20B2-052
55	571,30	556,15	30	104,47	QCD20B2-055
57	591,50	576,35	30	112,22	QCD20B2-057
60	621,80	606,66	30	124,37	QCD20B2-060
65	672,30	657,17	30	146,00	QCD20B2-065
70	722,80	707,68	30	169,35	QCD20B2-070
76	783,50	768,32	30	199,67	QCD20B2-076
80	823,90	808,71	30	221,25	QCD20B2-080
95	975,20	960,28	30	312,09	QCD20B2-095
114	1167,40	1152,26	40	449,24	QCD20B2-114

Material	Steel C45 (Fe360B with $Z \geq 18$ )
$D_e$	External diameter
$D_p$	Pitch diameter
W	Weight

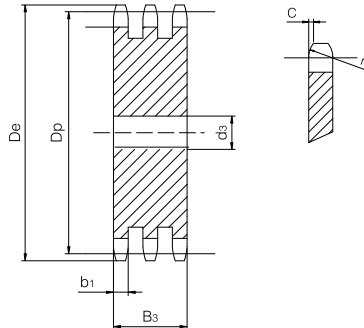
# Triplex plate wheel

for chain according to DIN 8187 - ISO/R 606

## ISO 20B-3 Pitch 1"1/4 x 3/4"



PLATE WHEEL	[mm]
Tooth radius $r_3$	32
Radius width C	3,5
Tooth width $b_1$	18,2
Tooth width $B_3$	91
CHAIN	[mm]
Pitch	31,75
Internal width	19,56
Roller $\varnothing$	19,05



Z	De [mm]	Dp [mm]	d3 [mm]	W [kg]	Part number
8	98,10	82,96	20	3,66	QCT20B3-008
9	108,00	92,84	20	4,64	QCT20B3-009
10	117,90	102,74	20	5,73	QCT20B3-010
11	127,80	112,68	20	6,94	QCT20B3-011
12	137,80	122,68	20	8,27	QCT20B3-012
13	147,80	132,65	20	9,71	QCT20B3-013
14	157,80	142,68	20	11,27	QCT20B3-014
15	167,90	152,72	20	12,94	QCT20B3-015
16	177,90	162,75	25	14,60	QCT20B3-016
17	187,90	172,78	25	16,50	QCT20B3-017
18	198,00	182,85	25	18,52	QCT20B3-018
19	208,10	192,91	25	20,66	QCT20B3-019
20	218,10	202,98	25	22,91	QCT20B3-020
21	228,20	213,04	25	25,27	QCT20B3-021
22	238,30	223,11	25	27,75	QCT20B3-022
23	248,30	233,17	25	30,34	QCT20B3-023
24	258,40	243,23	25	33,05	QCT20B3-024
25	268,50	253,33	25	35,88	QCT20B3-025
26	278,60	263,40	25	38,82	QCT20B3-026
27	288,60	273,49	25	41,88	QCT20B3-027
28	298,70	283,56	25	45,05	QCT20B3-028
29	308,80	293,65	25	48,33	QCT20B3-029
30	318,90	303,75	25	51,74	QCT20B3-030
31	329,00	313,85	30	55,11	QCT20B3-031
32	339,10	323,91	30	58,73	QCT20B3-032
33	349,20	334,01	30	62,48	QCT20B3-033
34	359,30	344,10	30	66,35	QCT20B3-034
35	369,40	354,20	30	70,33	QCT20B3-035
36	379,50	364,30	30	74,43	QCT20B3-036
37	389,50	374,39	30	78,63	QCT20B3-037
38	399,60	384,49	30	82,96	QCT20B3-038
39	409,70	394,59	30	87,40	QCT20B3-039
40	419,80	404,69	30	91,96	QCT20B3-040
42	440,00	424,86	40	101,01	QCT20B3-042
45	470,30	455,17	40	116,07	QCT20B3-045
46	480,40	465,25	40	121,31	QCT20B3-046

Z	De [mm]	Dp [mm]	d3 [mm]	W [kg]	Part number
48	500,60	485,45	40	132,16	QCT20B3-048
50	520,80	505,65	40	143,46	QCT20B3-050
52	541,00	525,85	40	155,23	QCT20B3-052
55	571,30	556,15	40	173,74	QCT20B3-055
57	591,50	576,35	40	186,65	QCT20B3-057
60	621,80	606,66	40	206,90	QCT20B3-060
65	672,30	657,17	40	242,94	QCT20B3-065
70	722,80	707,68	40	281,87	QCT20B3-070
76	783,50	768,32	40	332,40	QCT20B3-076
80	823,90	808,71	40	368,37	QCT20B3-080
95	975,20	960,28	40	519,76	QCT20B3-095
114	1167,40	1152,26	40	748,75	QCT20B3-114

Material	Steel C45 (Fe360B with Z ≥ 18)
De	External diameter
Dp	Pitch diameter
W	Weight