

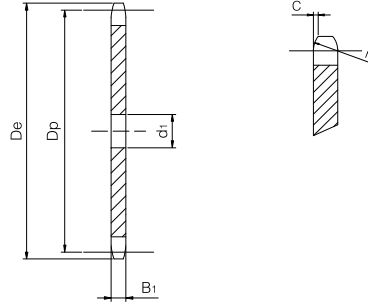
Simplex plate wheel

for chain according to DIN 8187 - ISO/R 606

ISO 16B-1 Pitch 1" x 17,02 mm



| PLATE WHEEL | [mm] |
|--------------------|-------|
| Tooth radius r_3 | 26 |
| Radius width C | 2,5 |
| Tooth width B_1 | 16,2 |
| CHAIN | [mm] |
| Pitch | 25,4 |
| Internal width | 17,02 |
| Roller ϕ | 15,88 |



| Z | De [mm] | Dp [mm] | d1 [mm] | W [kg] | Part number |
|----|---------|---------|---------|--------|-------------|
| 8 | 77,00 | 66,37 | 12 | 0,42 | QCS16B1-008 |
| 9 | 85,00 | 74,27 | 12 | 0,54 | QCS16B1-009 |
| 10 | 93,00 | 82,19 | 12 | 0,66 | QCS16B1-010 |
| 11 | 101,50 | 90,14 | 16 | 0,79 | QCS16B1-011 |
| 12 | 109,00 | 98,14 | 16 | 0,94 | QCS16B1-012 |
| 13 | 117,00 | 106,12 | 16 | 1,10 | QCS16B1-013 |
| 14 | 125,00 | 114,15 | 16 | 1,28 | QCS16B1-014 |
| 15 | 133,00 | 122,17 | 16 | 1,47 | QCS16B1-015 |
| 16 | 141,00 | 130,20 | 20 | 1,66 | QCS16B1-016 |
| 17 | 149,00 | 138,22 | 20 | 1,88 | QCS16B1-017 |
| 18 | 157,00 | 146,28 | 20 | 2,11 | QCS16B1-018 |
| 19 | 165,20 | 154,33 | 20 | 2,35 | QCS16B1-019 |
| 20 | 173,20 | 162,38 | 20 | 2,61 | QCS16B1-020 |
| 21 | 181,20 | 170,43 | 20 | 2,87 | QCS16B1-021 |
| 22 | 189,30 | 178,48 | 20 | 3,16 | QCS16B1-022 |
| 23 | 197,50 | 186,53 | 20 | 3,45 | QCS16B1-023 |
| 24 | 205,50 | 194,59 | 20 | 3,76 | QCS16B1-024 |
| 25 | 213,50 | 202,66 | 20 | 4,08 | QCS16B1-025 |
| 26 | 221,60 | 210,72 | 20 | 4,42 | QCS16B1-026 |
| 27 | 229,60 | 218,79 | 20 | 4,77 | QCS16B1-027 |
| 28 | 237,70 | 226,85 | 20 | 5,13 | QCS16B1-028 |
| 29 | 245,80 | 234,92 | 20 | 5,50 | QCS16B1-029 |
| 30 | 254,00 | 243,00 | 20 | 5,89 | QCS16B1-030 |
| 31 | 262,00 | 251,08 | 25 | 6,27 | QCS16B1-031 |
| 32 | 270,00 | 259,13 | 25 | 6,68 | QCS16B1-032 |
| 33 | 278,50 | 267,21 | 25 | 7,11 | QCS16B1-033 |
| 34 | 287,00 | 275,28 | 25 | 7,55 | QCS16B1-034 |
| 35 | 296,20 | 283,36 | 25 | 8,00 | QCS16B1-035 |
| 36 | 304,60 | 291,44 | 25 | 8,47 | QCS16B1-036 |
| 37 | 312,60 | 299,51 | 25 | 8,95 | QCS16B1-037 |
| 38 | 320,70 | 307,59 | 25 | 9,44 | QCS16B1-038 |
| 39 | 328,80 | 315,67 | 25 | 9,95 | QCS16B1-039 |
| 40 | 336,90 | 323,75 | 25 | 10,47 | QCS16B1-040 |
| 41 | 345,00 | 331,81 | 25 | 11,00 | QCS16B1-041 |
| 42 | 353,00 | 339,89 | 25 | 11,54 | QCS16B1-042 |
| 43 | 361,10 | 347,97 | 25 | 12,10 | QCS16B1-043 |

| Z | De [mm] | Dp [mm] | d1 [mm] | W [kg] | Part number |
|-----|---------|---------|---------|--------|-------------|
| 44 | 369,10 | 356,05 | 25 | 12,67 | QCS16B1-044 |
| 45 | 377,10 | 364,12 | 25 | 13,26 | QCS16B1-045 |
| 46 | 385,20 | 372,20 | 25 | 13,86 | QCS16B1-046 |
| 47 | 393,20 | 380,28 | 25 | 14,47 | QCS16B1-047 |
| 48 | 401,30 | 388,36 | 25 | 15,09 | QCS16B1-048 |
| 49 | 409,30 | 396,44 | 25 | 15,73 | QCS16B1-049 |
| 50 | 417,40 | 404,52 | 25 | 16,38 | QCS16B1-050 |
| 51 | 425,50 | 412,60 | 30 | 17,02 | QCS16B1-051 |
| 52 | 433,60 | 420,68 | 30 | 17,69 | QCS16B1-052 |
| 53 | 441,70 | 428,76 | 30 | 18,38 | QCS16B1-053 |
| 54 | 448,30 | 436,84 | 30 | 19,09 | QCS16B1-054 |
| 55 | 457,90 | 444,92 | 30 | 19,80 | QCS16B1-055 |
| 56 | 466,00 | 453,01 | 30 | 20,53 | QCS16B1-056 |
| 57 | 474,00 | 461,08 | 30 | 21,27 | QCS16B1-057 |
| 58 | 482,10 | 469,16 | 30 | 22,03 | QCS16B1-058 |
| 59 | 490,20 | 477,24 | 30 | 22,80 | QCS16B1-059 |
| 60 | 498,30 | 485,33 | 30 | 23,58 | QCS16B1-060 |
| 62 | 514,50 | 501,49 | 30 | 25,18 | QCS16B1-062 |
| 64 | 530,70 | 517,65 | 30 | 26,84 | QCS16B1-064 |
| 65 | 538,80 | 525,73 | 30 | 27,69 | QCS16B1-065 |
| 66 | 546,80 | 533,80 | 30 | 28,55 | QCS16B1-066 |
| 68 | 562,90 | 549,98 | 30 | 30,31 | QCS16B1-068 |
| 70 | 579,20 | 566,15 | 30 | 32,12 | QCS16B1-070 |
| 72 | 595,40 | 582,31 | 30 | 33,99 | QCS16B1-072 |
| 75 | 619,70 | 606,56 | 30 | 36,89 | QCS16B1-075 |
| 76 | 627,00 | 614,64 | 30 | 37,88 | QCS16B1-076 |
| 78 | 643,30 | 630,81 | 30 | 39,90 | QCS16B1-078 |
| 80 | 660,00 | 646,97 | 30 | 41,98 | QCS16B1-080 |
| 85 | 699,90 | 687,39 | 30 | 47,40 | QCS16B1-085 |
| 90 | 740,30 | 727,80 | 30 | 53,15 | QCS16B1-090 |
| 95 | 781,10 | 768,22 | 30 | 59,22 | QCS16B1-095 |
| 100 | 821,10 | 808,64 | 30 | 65,63 | QCS16B1-100 |
| 110 | 902,00 | 889,48 | 30 | 79,43 | QCS16B1-110 |
| 114 | 934,30 | 921,81 | 30 | 85,32 | QCS16B1-114 |
| 120 | 982,80 | 970,32 | 30 | 94,54 | QCS16B1-120 |
| 125 | 1023,30 | 1010,73 | 30 | 102,59 | QCS16B1-125 |

| | |
|----------|--------------------------------|
| Material | Steel C45 (Fe360B with Z ≥ 31) |
| De | External diameter |
| Dp | Pitch diameter |
| W | Weight |

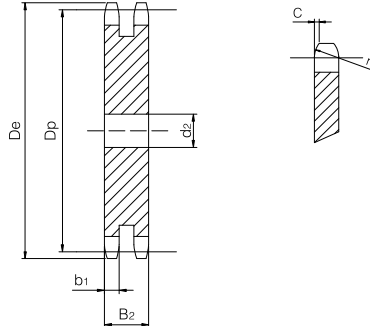
Duplex plate wheel

for chain according to DIN 8187 - ISO/R 606

ISO 16B-2 Pitch 1" x 17,02 mm



| PLATE WHEEL | [mm] |
|----------------------|-------|
| Tooth radius r_3 | 26 |
| Radius width C | 2,5 |
| Tooth width b_1 | 15,8 |
| Tooth width B_2 | 47,7 |
| CHAIN | [mm] |
| Pitch | 25,4 |
| Internal width | 17,02 |
| Roller \varnothing | 15,88 |



| Z | De [mm] | Dp [mm] | d2 [mm] | W [kg] | Part number |
|----|---------|---------|---------|--------|-------------|
| 8 | 77,00 | 66,37 | 16 | 1,22 | QCD16B2-008 |
| 9 | 85,00 | 74,27 | 16 | 1,55 | QCD16B2-009 |
| 10 | 93,00 | 82,19 | 16 | 1,92 | QCD16B2-010 |
| 11 | 101,50 | 90,14 | 20 | 2,28 | QCD16B2-011 |
| 12 | 109,00 | 98,14 | 20 | 2,73 | QCD16B2-012 |
| 13 | 117,00 | 106,12 | 20 | 3,21 | QCD16B2-013 |
| 14 | 125,00 | 114,15 | 20 | 3,73 | QCD16B2-014 |
| 15 | 133,00 | 122,17 | 20 | 4,29 | QCD16B2-015 |
| 16 | 141,00 | 130,20 | 20 | 4,89 | QCD16B2-016 |
| 17 | 149,00 | 138,22 | 20 | 5,53 | QCD16B2-017 |
| 18 | 157,00 | 146,28 | 20 | 6,21 | QCD16B2-018 |
| 19 | 165,20 | 154,33 | 20 | 6,93 | QCD16B2-019 |
| 20 | 173,20 | 162,38 | 20 | 7,68 | QCD16B2-020 |
| 21 | 181,20 | 170,43 | 25 | 8,41 | QCD16B2-021 |
| 22 | 189,30 | 178,48 | 25 | 9,24 | QCD16B2-022 |
| 23 | 197,50 | 186,53 | 25 | 10,11 | QCD16B2-023 |
| 24 | 205,50 | 194,59 | 25 | 11,02 | QCD16B2-024 |
| 25 | 213,50 | 202,66 | 25 | 11,97 | QCD16B2-025 |
| 26 | 221,60 | 210,72 | 25 | 12,95 | QCD16B2-026 |
| 27 | 229,60 | 218,79 | 25 | 13,98 | QCD16B2-027 |
| 28 | 237,70 | 226,85 | 25 | 15,04 | QCD16B2-028 |
| 29 | 245,80 | 234,92 | 25 | 16,14 | QCD16B2-029 |
| 30 | 254,00 | 243,00 | 25 | 17,29 | QCD16B2-030 |
| 31 | 262,00 | 251,08 | 25 | 18,47 | QCD16B2-031 |
| 32 | 270,00 | 259,13 | 25 | 19,68 | QCD16B2-032 |
| 33 | 278,50 | 267,21 | 25 | 20,94 | QCD16B2-033 |
| 34 | 287,00 | 275,28 | 25 | 22,24 | QCD16B2-034 |
| 35 | 296,20 | 283,36 | 25 | 23,57 | QCD16B2-035 |
| 36 | 304,60 | 291,44 | 25 | 24,95 | QCD16B2-036 |
| 37 | 312,60 | 299,51 | 25 | 26,36 | QCD16B2-037 |
| 38 | 320,70 | 307,59 | 25 | 27,81 | QCD16B2-038 |
| 39 | 328,80 | 315,67 | 25 | 29,30 | QCD16B2-039 |
| 40 | 336,90 | 323,75 | 25 | 30,83 | QCD16B2-040 |
| 42 | 353,00 | 339,89 | 25 | 34,00 | QCD16B2-042 |
| 43 | 361,10 | 347,97 | 25 | 35,65 | QCD16B2-043 |
| 44 | 369,10 | 356,05 | 25 | 37,33 | QCD16B2-044 |

| Z | De [mm] | Dp [mm] | d2 [mm] | W [kg] | Part number |
|-----|---------|---------|---------|--------|-------------|
| 45 | 377,10 | 364,12 | 25 | 39,05 | QCD16B2-045 |
| 46 | 385,20 | 372,20 | 25 | 40,81 | QCD16B2-046 |
| 48 | 401,30 | 388,36 | 25 | 44,45 | QCD16B2-048 |
| 50 | 417,40 | 404,52 | 25 | 48,24 | QCD16B2-050 |
| 51 | 425,50 | 412,60 | 30 | 50,11 | QCD16B2-051 |
| 52 | 433,60 | 420,68 | 30 | 52,11 | QCD16B2-052 |
| 55 | 457,90 | 444,92 | 30 | 58,32 | QCD16B2-055 |
| 56 | 466,00 | 453,01 | 30 | 60,47 | QCD16B2-056 |
| 57 | 474,00 | 461,08 | 30 | 62,65 | QCD16B2-057 |
| 60 | 498,30 | 485,33 | 30 | 69,44 | QCD16B2-060 |
| 62 | 514,50 | 501,49 | 30 | 74,16 | QCD16B2-062 |
| 65 | 538,80 | 525,73 | 30 | 81,53 | QCD16B2-065 |
| 68 | 562,90 | 549,98 | 30 | 89,25 | QCD16B2-068 |
| 70 | 579,20 | 566,15 | 30 | 94,59 | QCD16B2-070 |
| 72 | 595,40 | 582,31 | 30 | 100,08 | QCD16B2-072 |
| 75 | 619,70 | 606,56 | 30 | 108,62 | QCD16B2-075 |
| 76 | 627,00 | 614,64 | 30 | 111,54 | QCD16B2-076 |
| 80 | 660,00 | 646,97 | 30 | 123,61 | QCD16B2-080 |
| 85 | 699,90 | 687,39 | 30 | 139,57 | QCD16B2-085 |
| 90 | 740,30 | 727,80 | 30 | 156,50 | QCD16B2-090 |
| 95 | 781,10 | 768,22 | 30 | 174,39 | QCD16B2-095 |
| 100 | 821,10 | 808,64 | 30 | 193,26 | QCD16B2-100 |
| 110 | 902,00 | 889,48 | 30 | 233,89 | QCD16B2-110 |
| 114 | 934,30 | 921,81 | 40 | 251,01 | QCD16B2-114 |
| 120 | 982,80 | 970,32 | 40 | 278,18 | QCD16B2-120 |
| 125 | 1023,30 | 1010,73 | 40 | 301,87 | QCD16B2-125 |

| | |
|----------|--------------------------------|
| Material | Steel C45 (Fe360B with Z ≥ 22) |
| De | External diameter |
| Dp | Pitch diameter |
| W | Weight |

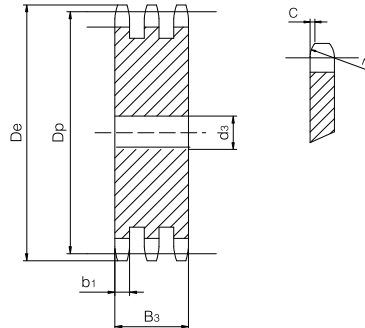
Triplex plate wheel

for chain according to DIN 8187 - ISO/R 606

ISO 16B-3 Pitch 1" x 17,02 mm



| PLATE WHEEL | [mm] |
|--------------------|-------|
| Tooth radius r_3 | 26 |
| Radius width C | 2,5 |
| Tooth width b_1 | 15,8 |
| Tooth width B_3 | 79,6 |
| CHAIN | [mm] |
| Pitch | 25,4 |
| Internal width | 17,02 |
| Roller ϕ | 15,88 |



| Z | D_e [mm] | D_p [mm] | d_3 [mm] | W [kg] | Part number |
|----|------------|------------|------------|--------|-------------|
| 8 | 77,00 | 66,37 | 16 | 2,05 | QCT16B3-008 |
| 9 | 85,00 | 74,27 | 16 | 2,60 | QCT16B3-009 |
| 10 | 93,00 | 82,19 | 16 | 3,21 | QCT16B3-010 |
| 11 | 101,50 | 90,14 | 20 | 3,82 | QCT16B3-011 |
| 12 | 109,00 | 98,14 | 20 | 4,56 | QCT16B3-012 |
| 13 | 117,00 | 106,12 | 20 | 5,36 | QCT16B3-013 |
| 14 | 125,00 | 114,15 | 20 | 6,24 | QCT16B3-014 |
| 15 | 133,00 | 122,17 | 20 | 7,17 | QCT16B3-015 |
| 16 | 141,00 | 130,20 | 25 | 8,06 | QCT16B3-016 |
| 17 | 149,00 | 138,22 | 25 | 9,13 | QCT16B3-017 |
| 18 | 157,00 | 146,28 | 25 | 10,26 | QCT16B3-018 |
| 19 | 165,20 | 154,33 | 25 | 11,45 | QCT16B3-019 |
| 20 | 173,20 | 162,38 | 25 | 12,71 | QCT16B3-020 |
| 21 | 181,20 | 170,43 | 25 | 14,04 | QCT16B3-021 |
| 22 | 189,30 | 178,48 | 25 | 15,42 | QCT16B3-022 |
| 23 | 197,50 | 186,53 | 25 | 16,88 | QCT16B3-023 |
| 24 | 205,50 | 194,59 | 25 | 18,39 | QCT16B3-024 |
| 25 | 213,50 | 202,66 | 25 | 19,98 | QCT16B3-025 |
| 26 | 221,60 | 210,72 | 30 | 21,49 | QCT16B3-026 |
| 27 | 229,60 | 218,79 | 30 | 23,20 | QCT16B3-027 |
| 28 | 237,70 | 226,85 | 30 | 24,97 | QCT16B3-028 |
| 29 | 245,80 | 234,92 | 30 | 26,81 | QCT16B3-029 |
| 30 | 254,00 | 243,00 | 30 | 28,72 | QCT16B3-030 |
| 31 | 262,00 | 251,08 | 30 | 30,69 | QCT16B3-031 |
| 32 | 270,00 | 259,13 | 30 | 32,72 | QCT16B3-032 |
| 33 | 278,50 | 267,21 | 30 | 34,82 | QCT16B3-033 |
| 34 | 287,00 | 275,28 | 30 | 36,98 | QCT16B3-034 |
| 35 | 296,20 | 283,36 | 30 | 39,21 | QCT16B3-035 |
| 36 | 304,60 | 291,44 | 30 | 41,51 | QCT16B3-036 |
| 37 | 312,60 | 299,51 | 30 | 43,86 | QCT16B3-037 |
| 38 | 320,70 | 307,59 | 30 | 46,28 | QCT16B3-038 |
| 39 | 328,80 | 315,67 | 30 | 48,77 | QCT16B3-039 |
| 40 | 336,90 | 323,75 | 30 | 51,32 | QCT16B3-040 |
| 42 | 353,00 | 339,89 | 30 | 56,61 | QCT16B3-042 |
| 44 | 369,10 | 356,05 | 30 | 62,17 | QCT16B3-044 |
| 45 | 377,10 | 364,12 | 30 | 65,04 | QCT16B3-045 |

| Z | D_e [mm] | D_p [mm] | d_3 [mm] | W [kg] | Part number |
|-----|------------|------------|------------|--------|-------------|
| 46 | 385,20 | 372,20 | 30 | 67,98 | QCT16B3-046 |
| 48 | 401,30 | 388,36 | 30 | 74,05 | QCT16B3-048 |
| 50 | 417,40 | 404,52 | 30 | 80,37 | QCT16B3-050 |
| 51 | 425,50 | 412,60 | 40 | 83,29 | QCT16B3-051 |
| 52 | 433,60 | 420,68 | 40 | 86,61 | QCT16B3-052 |
| 55 | 457,90 | 444,92 | 40 | 96,98 | QCT16B3-055 |
| 57 | 474,00 | 461,08 | 40 | 104,21 | QCT16B3-057 |
| 60 | 498,30 | 485,33 | 40 | 115,54 | QCT16B3-060 |
| 65 | 538,80 | 525,73 | 40 | 135,72 | QCT16B3-065 |
| 68 | 562,90 | 549,98 | 40 | 148,60 | QCT16B3-068 |
| 70 | 579,20 | 566,15 | 40 | 157,51 | QCT16B3-070 |
| 72 | 595,40 | 582,31 | 40 | 166,68 | QCT16B3-072 |
| 75 | 619,70 | 606,56 | 40 | 180,92 | QCT16B3-075 |
| 76 | 627,00 | 614,64 | 40 | 185,79 | QCT16B3-076 |
| 80 | 660,00 | 646,97 | 40 | 205,94 | QCT16B3-080 |
| 85 | 699,90 | 687,39 | 40 | 232,58 | QCT16B3-085 |
| 90 | 740,30 | 727,80 | 40 | 260,82 | QCT16B3-090 |
| 95 | 781,10 | 768,22 | 40 | 290,68 | QCT16B3-095 |
| 100 | 821,10 | 808,64 | 40 | 322,16 | QCT16B3-100 |
| 110 | 902,00 | 889,48 | 40 | 389,96 | QCT16B3-110 |
| 114 | 934,30 | 921,81 | 40 | 418,88 | QCT16B3-114 |
| 120 | 982,80 | 970,32 | 40 | 464,22 | QCT16B3-120 |
| 125 | 1023,30 | 1010,73 | 40 | 503,76 | QCT16B3-125 |

| | |
|----------|--------------------------------------|
| Material | Steel C45 (Fe360B with $Z \geq 21$) |
| D_e | External diameter |
| D_p | Pitch diameter |
| W | Weight |