

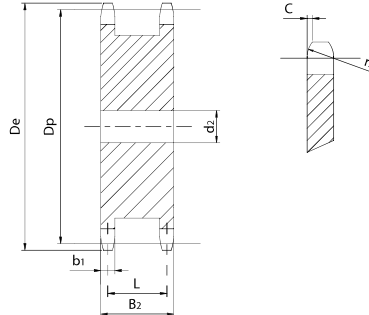
Duplex plate wheel for two single chains

for chain according to DIN 8187 - ISO 606



ISO 12B1 Pitch 3/4" x 7/16"

PLATE WHEEL	[mm]
Tooth radius r_3	19
Radius width C	2
Tooth width b_1	11,1
Tooth width B_2	44
CHAIN	[mm]
Pitch	19,05
Internal width	11,68
Roller \varnothing	12,07



Z	D_e [mm]	D_p [mm]	d_1 [mm]	L [mm]	W [kg]	Part Number
12	81,8	73,60	20	32,9	0,91	QCSD12B1-012
13	87,8	79,59	20	32,9	1,12	QCSD12B1-013
14	93,8	85,61	20	32,9	1,33	QCSD12B1-014
15	99,8	91,63	20	32,9	1,57	QCSD12B1-015
16	105,8	97,65	20	32,9	1,84	QCSD12B1-016
17	111,9	103,67	20	32,9	2,12	QCSD12B1-017
18	117,9	109,71	20	32,9	2,42	QCSD12B1-018
19	123,9	115,75	20	32,9	2,75	QCSD12B1-019
20	130,0	121,78	20	32,9	3,09	QCSD12B1-020
21	136,0	127,82	25	32,9	3,42	QCSD12B1-021
23	148,1	139,90	25	32,9	4,21	QCSD12B1-023
25	160,2	152,00	25	32,9	5,07	QCSD12B1-025

Material	Steel C45
D_e	External diameter
D_p	Pitch diameter
W	Weight