

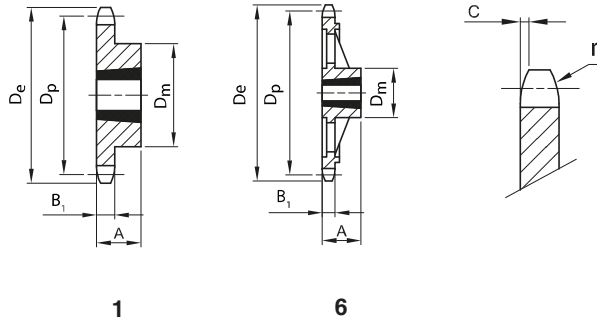
# Simplex sprocket for SER-SIT® taper bushing

for chain according to DIN 8187 - ISO/R 606



## ISO 10B-1 Pitch 5/8" x 3/8"

SPROCKET	[mm]
Tooth radius $r_3$	16
Radius width C	1,6
Tooth width $B_1$	9,1
CHAIN	[mm]
Pitch	15,875
Internal width	9,65
Roller $\phi$	10,16



Z	De [mm]	Dp [mm]	Dm [mm]	A [mm]	SER-SIT® taper bushing	Fig.	W [kg]	Part Number
13	73,2	66,33	47	22	1008	1	0,23	QPBS10B1-013
14	78,2	71,34	52	22	1108	1	0,27	QPBS10B1-014
15	83,2	76,35	60	25	1210	1	0,30	QPBS10B1-015
16	88,3	81,37	63	25	1210	1	0,38	QPBS10B1-016
17	93,3	86,39	71	25	1610	1	0,38	QPBS10B1-017
18	98,3	91,42	71	25	1610	1	0,43	QPBS10B1-018
19	103,3	96,44	75	25	1610	1	0,54	QPBS10B1-019
20	108,4	101,49	76	25	1610	1	0,61	QPBS10B1-020
21	113,4	106,51	76	25	1610	1	0,65	QPBS10B1-021
22	118,4	111,55	76	25	1610	1	0,72	QPBS10B1-022
23	123,5	116,58	76	25	1610	1	0,77	QPBS10B1-023
24	128,5	121,62	90	32	2012	1	0,98	QPBS10B1-024
25	133,6	126,66	90	32	2012	1	1,05	QPBS10B1-025
26	138,6	131,70	90	32	2012	1	1,11	QPBS10B1-026
27	143,6	136,74	90	32	2012	1	1,17	QPBS10B1-027
28	148,7	141,78	90	32	2012	1	1,29	QPBS10B1-028
30	158,8	151,87	90	32	2012	1	1,40	QPBS10B1-030
38	199,1	192,23	100	32	2012	1	2,43	QPBS10B1-038
45	236,0	227,58	111	32	2012	1	3,55	QPBS10B1-045
57*	296,6	288,18	111	32	2012	6	4,28	QPBS10B1-057
76*	392,5	384,16	111	32	2012	6	5,95	QPBS10B1-076

Material	Steel C45
	*Cast Iron EN-GJL-200
De	External diameter
Dp	Pitch diameter
Dm	Hub diameter
W	Weight

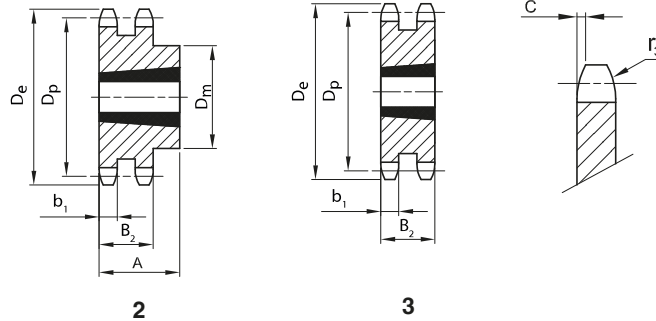
# Duplex sprocket for SER-SIT® taper bushing

for chain according to DIN 8187 - ISO/R 606



## ISO 10B-2 Pitch 5/8" x 3/8"

SPROCKET	[mm]
Tooth radius $r_3$	16
Radius width C	1,6
Tooth width $b_1$	9
Tooth width $B_2$	25,5
CHAIN	[mm]
Pitch	15,875
Internal width	9,65
Roller $\varnothing$	10,16



Z	D <sub>e</sub> [mm]	D <sub>p</sub> [mm]	D <sub>m</sub> [mm]	A [mm]	SER-SIT® taper bushing	Fig.	W [kg]	Part Number
15	83,2	76,35	-	25,5	1210	3	0,38	QPBD10B2-015
16	88,3	81,37	-	25,5	1610	3	0,42	QPBD10B2-016
17	93,3	86,39	-	25,5	1610	3	0,47	QPBD10B2-017
18	98,3	91,42	-	25,5	1610	3	0,60	QPBD10B2-018
19	103,3	96,44	-	25,5	1610	3	0,72	QPBD10B2-019
20	108,4	101,49	-	25,5	1610	3	0,87	QPBD10B2-020
21	113,4	106,51	-	25,5	1610	3	1,01	QPBD10B2-021
22	118,4	111,55	-	25,5	1610	3	1,18	QPBD10B2-022
23	123,5	116,58	-	25,5	1610	3	1,35	QPBD10B2-023
24	128,5	121,62	90	32,0	2012	2	1,45	QPBD10B2-024
25	133,6	126,66	90	32,0	2012	2	1,55	QPBD10B2-025
26	138,6	131,70	90	32,0	2012	2	1,75	QPBD10B2-026
27	143,6	136,74	90	32,0	2012	2	1,98	QPBD10B2-027
28	148,7	141,78	90	32,0	2012	2	2,30	QPBD10B2-028
30	158,8	151,87	90	32,0	2012	2	2,63	QPBD10B2-030

Material	Steel C45
D <sub>e</sub>	External diameter
D <sub>p</sub>	Pitch diameter
D <sub>m</sub>	Hub diameter
W	Weight

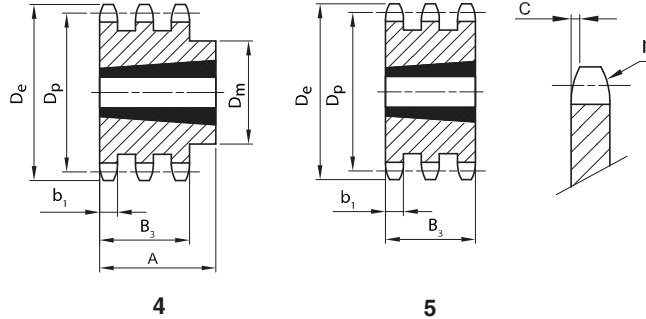
# Triplex sprocket for SER-SIT® taper bushing

for chain according to DIN 8187 - ISO/R 606



## ISO 10B-3 Pitch 5/8" x 3/8"

SPROCKET	[mm]
Tooth radius $r_3$	16
Radius width C	1,6
Tooth width $b_1$	9
Tooth width $B_3$	42,1
CHAIN	[mm]
Pitch	15,875
Internal width	9,65
Roller $\phi$	10,16



Z	$D_e$ [mm]	$D_p$ [mm]	$D_m$ [mm]	A [mm]	SER-SIT® taper bushing	Fig.	W [kg]	Part Number
15	83,2	76,35	-	42,1	1215	5	0,63	QPBT10B3-015
17	93,3	86,39	-	42,1	1215	5	1,01	QPBT10B3-017
19	103,3	96,44	-	42,1	1615	5	1,19	QPBT10B3-019
21	113,4	106,51	-	42,1	1615	5	1,66	QPBT10B3-021
23	123,5	116,58	-	42,1	2012	5	1,78	QPBT10B3-023
25	133,6	126,66	105	44,0	2517	4	1,81	QPBT10B3-025
27	143,6	136,74	110	44,0	2517	4	2,45	QPBT10B3-027
30	158,8	151,87	120	44,0	2517	4	3,54	QPBT10B3-030

Material	Steel C45
$D_e$	External diameter
$D_p$	Pitch diameter
$D_m$	Hub diameter
W	Weight

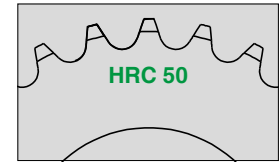
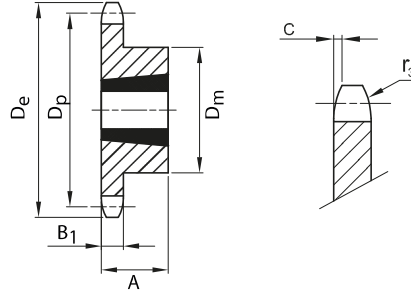
# Simplex sprocket for SER-SIT® taper bushes hardened teeth

for chain according to DIN 8187 - ISO/R 606



## ISO 10B-1 Pitch 5/8" x 3/8"

SPROCKET	[mm]
Tooth radius $r_3$	16
Radius width C	1,6
Tooth width $B_1$	9,1
CHAIN	[mm]
Pitch	15,875
Internal width	9,65
Roller $\varnothing$	10,16



Z	De [mm]	Dp [mm]	Dm [mm]	A [mm]	SER-SIT® taper bushing	W [kg]	Part Number
13	73,2	66,33	47	22	1008	0,23	QPBHS10B1-013
15	83,2	76,35	60	25	1210	0,30	QPBHS10B1-015
17	93,3	86,39	71	25	1610	0,38	QPBHS10B1-017
19	103,3	96,44	75	25	1610	0,54	QPBHS10B1-019
21	113,4	106,51	76	25	1610	0,65	QPBHS10B1-021
23	123,5	116,58	76	25	1610	0,77	QPBHS10B1-023
25	133,6	126,66	90	32	2012	1,05	QPBHS10B1-025
27	143,6	136,74	90	32	2012	1,17	QPBHS10B1-027
30	158,8	151,87	90	32	2012	1,40	QPBHS10B1-030

Material	Steel C45
De	External diameter
Dp	Pitch diameter
Dm	Hub diameter
W	Weight

ISO hardened simplex sprockets for bushing