

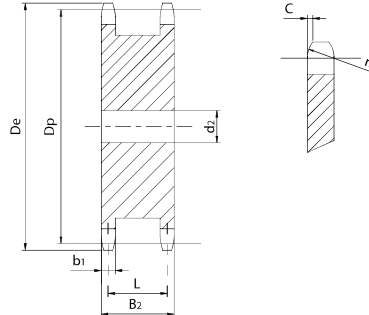
## Duplex plate wheel for two single chains

for chain according to DIN 8187 - ISO 606



### ISO 10B1 Pitch 5/8" x 3/8"

PLATE WHEEL	[mm]
Tooth radius $r_3$	16
Radius width C	1,6
Tooth width $b_1$	9,1
Tooth width $B_2$	34
CHAIN	[mm]
Pitch	15,875
Internal width	9,65
Roller $\varnothing$	10,16



Z	$D_e$ [mm]	$D_p$ [mm]	$d_1$ [mm]	L [mm]	W [kg]	Part Number
12	68,2	61,34	15	24,9	0,51	QCSD10B1-012
13	73,2	66,32	15	24,9	0,62	QCSD10B1-013
14	78,2	71,34	15	24,9	0,74	QCSD10B1-014
15	83,2	76,36	15	24,9	0,87	QCSD10B1-015
16	88,3	81,37	15	24,9	1,02	QCSD10B1-016
17	93,3	86,39	15	24,9	1,17	QCSD10B1-017
18	98,3	91,42	15	24,9	1,34	QCSD10B1-018
19	103,3	96,45	20	24,9	1,49	QCSD10B1-019
20	108,4	101,49	20	24,9	1,68	QCSD10B1-020
21	113,4	106,52	20	24,9	1,88	QCSD10B1-021
23	123,5	116,58	20	24,9	2,30	QCSD10B1-023
25	133,6	126,66	20	24,9	2,77	QCSD10B1-025

Material	Steel C45
$D_e$	External diameter
$D_p$	Pitch diameter
W	Weight