

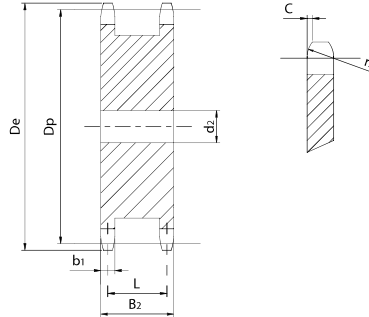
Duplex plate wheel for two single chains

for chain according to DIN 8187 - ISO 606



ISO 08B1 Pitch 1/2" x 5/16"

PLATE WHEEL	[mm]
Tooth radius r_3	13
Radius width C	1,3
Tooth width b_1	7,2
Tooth width B_2	30
CHAIN	[mm]
Pitch	12,7
Internal width	7,75
Roller \varnothing	8,51



Z	D_e [mm]	D_p [mm]	d_1 [mm]	L [mm]	W [kg]	Part Number
12	53,9	49,07	15	22,8	0,27	QCSD08B1-012
13	57,9	53,06	15	22,8	0,33	QCSD08B1-013
14	61,9	57,07	15	22,8	0,40	QCSD08B1-014
15	65,9	61,09	15	22,8	0,47	QCSD08B1-015
16	69,9	65,10	15	22,8	0,55	QCSD08B1-016
17	74,0	69,11	15	22,8	0,64	QCSD08B1-017
18	78,0	73,14	15	22,8	0,73	QCSD08B1-018
19	82,0	77,16	15	22,8	0,84	QCSD08B1-019
20	86,0	81,19	15	22,8	0,93	QCSD08B1-020
21	90,1	85,22	15	22,8	1,03	QCSD08B1-021
23	98,1	93,27	15	22,8	1,28	QCSD08B1-023
25	106,2	101,33	15	22,8	1,54	QCSD08B1-025

Material	Steel C45
D_e	External diameter
D_p	Pitch diameter
W	Weight