

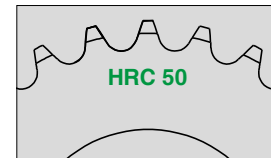
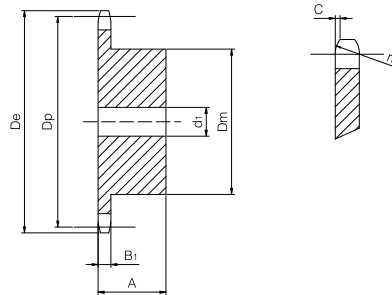
ES ELITESYSTEM® SIMPLEX HARDENED TEETH SPROCKETS WITH PILOT BORE



Simplex hardened teeth sprocket with pilot bore

ISO 06B-1 Pitch 3/8" x 7/32"

SPROCKET	[mm]
Tooth radius r_3	10
Radius width C	1
Tooth width B_1	5,3
CHAIN	[mm]
Pitch	9,525
Internal width	5,71
Roller ϕ	6,35



Z	De [mm]	Dp [mm]	Dm [mm]	d1 [mm]	A [mm]	W [kg]	Part Number
13	43,5	39,80	28	8	25	0,13	QPHS06B1-013
14	46,5	42,80	31	8	25	0,16	QPHS06B1-014
15	49,5	45,81	34	8	25	0,19	QPHS06B1-015
16	52,5	48,82	37	10	28	0,24	QPHS06B1-016
17	55,5	51,83	40	10	28	0,28	QPHS06B1-017
18	58,6	54,85	43	10	28	0,33	QPHS06B1-018
19	61,6	57,87	45	10	28	0,36	QPHS06B1-019
20	64,6	60,89	46	10	28	0,39	QPHS06B1-020
21	67,6	63,91	48	12	28	0,42	QPHS06B1-021
22	70,6	66,93	50	12	28	0,46	QPHS06B1-022
23	73,7	69,95	52	12	28	0,50	QPHS06B1-023
24	76,7	72,97	54	12	28	0,54	QPHS06B1-024
25	79,7	76,00	57	12	28	0,60	QPHS06B1-025
30	94,8	91,12	60	12	30	0,72	QPHS06B1-030

Material	Steel C45
De	External diameter
Dp	Pitch diameter
Dm	Hub diameter
W	Weigth

ISO simplex sprockets with pilot bore

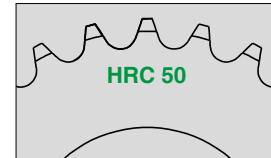
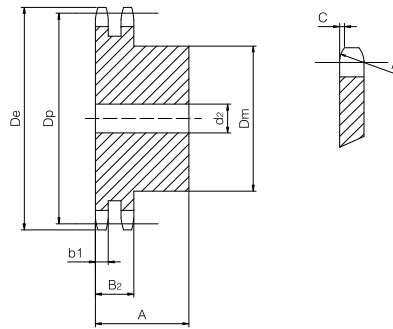
ES ELITESYSTEM® DUPLEX HARDENED TEETH SPROCKETS WITH PILOT BORE



Duplex hardened teeth sprocket with pilot bore

ISO 06B-2 Pitch 3/8" x 7/32"

SPROCKET	[mm]
Tooth radius r_3	10
Radius width C	1
Tooth width b_1	5,2
Tooth width B_2	15,4
CHAIN	[mm]
Pitch	9,525
Internal width	5,71
Roller ϕ	6,35



Z	D_e [mm]	D_p [mm]	D_m [mm]	d_2 [mm]	A [mm]	W [kg]	Part Number
13	43,5	39,80	28	10	30	0,16	QPHD06B2-013
14	46,5	42,80	31	10	30	0,20	QPHD06B2-014
15	49,5	45,81	34	10	30	0,24	QPHD06B2-015
16	52,5	48,82	37	12	30	0,27	QPHD06B2-016
17	55,5	51,83	40	12	30	0,32	QPHD06B2-017
18	58,6	54,85	43	12	30	0,38	QPHD06B2-018
19	61,6	57,87	46	12	30	0,42	QPHD06B2-019
20	64,6	60,89	49	12	30	0,48	QPHD06B2-020
21	67,6	63,91	52	16	30	0,52	QPHD06B2-021
22	70,6	66,93	55	16	30	0,58	QPHD06B2-022
23	73,7	69,95	58	16	30	0,64	QPHD06B2-023
24	76,7	72,97	61	16	30	0,71	QPHD06B2-024
25	79,7	76,00	64	16	30	0,79	QPHD06B2-025
30	94,8	91,12	79	16	30	1,20	QPHD06B2-030

Material	Steel C45
D_e	External diameter
D_p	Pitch diameter
D_m	Hub diameter
W	Weigth