

# SKF Leaf Chains

SKF Leaf Chains are designed for high load, slow speed tension linkage applications. Often, they are specified for reciprocating motion lifting devices such as forklifts or as counterweight chains for elevators or telescoping equipment, e.g. cranes. The chains are typically supplied in a specific length and connected to a clevis at each end. The clevis may accommodate “male” ends (inside links) or “female” ends (outside links), as required. SKF Leaf Chains are available in series: AL, BL, LL, FL, 12XX, 15XX, 19XX and 25XX. The AL and BL series are based on American chain standards, while the LL series is based on British chain standards. BL series leaf chains are made according to the ASME/ANSI B29.8 American standard. LL series leaf chains are made in accordance with the ISO 606 international standard. A chain with an even number of pitches has one male and one female end. A chain with an odd number of pitches have either two male or two female ends.

## Application

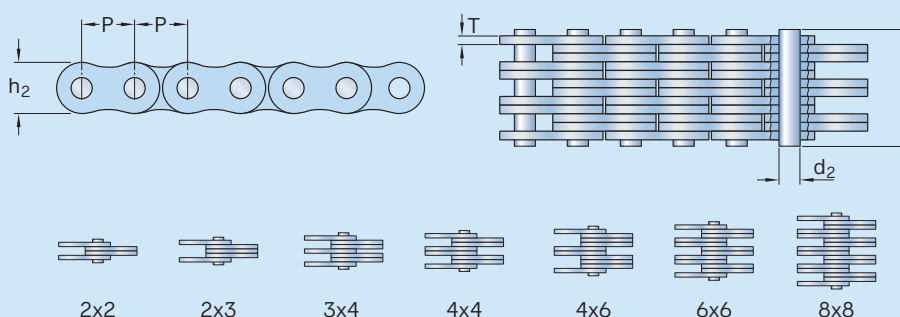
The applications for these chains include counterweight chain for masts, elevator and oven doors, forklift truck masts, spinning frames and any other lifting or balancing application.



*SKF Leaf Chains used for lifting in a forklift mast*

Table 1

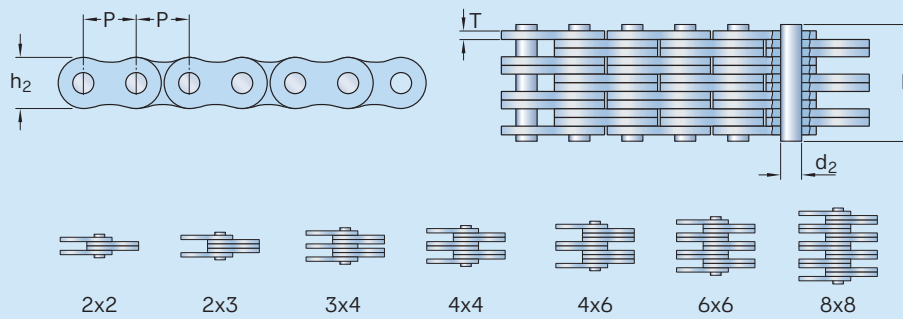
## SKF Leaf Chains - ANSI BL422-BL888



ANSI Chain number	BS/ISO Chain number	Dimensions		Plate height	Plate thickness	Pin diameter	Pin length	Ultimate tensile strength	Average tensile strength	Weight per meter	Designation
		Pitch	Plate lacing								
-	-	P	-	$h_2$ max	T max	$d_2$ max	L max	Q min	$Q_0$	q	-
-	-	mm	-	-	-	-	-	kN	-	kg/m	-
BL422	LH0822	12,7	2 × 2	12,07	2,08	5,09	11,05	22,2	27,6	0,64	PHC BL422...
BL423	LH0823		2 × 3				13,16	22,2	27,6	0,80	PHC BL423...
BL434	LH0834		3 × 4				17,40	33,4	41,4	1,12	PHC BL434...
BL444	LH0844		4 × 4				19,51	44,5	56,0	1,28	PHC BL444...
BL446	LH0846		4 × 6				23,75	44,5	56,0	1,60	PHC BL446...
BL466	LH0866		6 × 6				27,99	66,7	81,7	1,92	PHC BL466...
BL488	LH0888		8 × 8				36,45	89,0	109,4	2,56	PHC BL488...
BL522	LH1022	15,875	2 × 2	15,09	2,44	5,96	12,90	33,4	43,1	0,88	PHC BL522...
BL523	LH1023		2 × 3				15,37	33,4	43,1	1,10	PHC BL523...
BL534	LH1034		3 × 4				20,32	48,9	65,6	1,50	PHC BL534...
BL544	LH1044		4 × 4				22,78	66,7	84,5	1,80	PHC BL544...
BL546	LH1046		4 × 6				27,74	66,7	84,5	2,20	PHC BL546...
BL566	LH1066		6 × 6				32,69	100,1	125,1	2,65	PHC BL566...
BL588	LH1088		8 × 8				42,57	133,4	169,5	3,50	PHC BL588...
BL622	LH1222	19,05	2 × 2	18,11	3,30	7,94	17,37	48,9	63,6	1,45	PHC BL622...
BL623	LH1223		2 × 3				20,73	48,9	63,6	1,80	PHC BL623...
BL634	LH1234		3 × 4				27,43	75,6	102,8	2,50	PHC BL634...
BL644	LH1244		4 × 4				30,78	97,9	120,9	2,90	PHC BL644...
BL646	LH1246		4 × 6				37,49	97,9	120,9	3,60	PHC BL646...
BL666	LH1266		6 × 6				44,20	146,8	190,8	4,30	PHC BL666...
BL688	LH1288		8 × 8				57,61	195,7	238,8	5,80	PHC BL688...
BL822	LH1622	25,4	2 × 2	24,13	4,09	9,54	21,34	84,5	108,2	2,20	PHC BL822...
BL823	LH1623		2 × 3				25,48	84,5	108,2	2,70	PHC BL823...
BL834	LH1634		3 × 4				33,76	129,0	170,0	3,80	PHC BL834...
BL844	LH1644		4 × 4				37,90	169,0	214,6	4,30	PHC BL844...
BL846	LH1646		4 × 6				46,18	169,0	214,6	5,40	PHC BL846...
BL866	LH1666		6 × 6				54,46	253,6	324,5	6,50	PHC BL866...
BL888	LH1688		8 × 8				71,02	338,1	432,7	8,60	PHC BL888...

Standard lengths are 10 ft. and 5 m. To complete designation, add chain length. For example, a 10 ft. box of BL422 is PHC BL422X10FT.

## SKF Leaf Chains – ANSI BL1022-BL2088



ANSI Chain number	BS/ISO Chain number	Dimensions		Plate height	Plate thickness	Pin diameter	Pin length	Ultimate tensile strength	Average tensile strength	Weight per meter	Designation
		Pitch	Plate lacing								
		P		$h_2$ max	T max	$d_2$ max	L max	Q min	$Q_0$	q	
		mm	–					kN		kg/m	–
BL1022	LH2022	31,75	2 × 2	30,18	4,9	11,11	25,37	115,6	150,8	3,40	PHC BL1022...
BL1023	LH2023		2 × 3				30,33	115,6	150,8	4,30	PHC BL1023...
BL1034	LH2034		3 × 4				40,23	182,4	231,6	6,00	PHC BL1034...
BL1044	LH2044		4 × 4				45,19	231,3	291,4	6,90	PHC BL1044...
BL1046	LH2046		4 × 6				55,09	231,3	291,4	8,60	PHC BL1046...
BL1066	LH2066		6 × 6				65,00	347,0	430,3	10,30	PHC BL1066...
BL1088	LH2088		8 × 8				84,81	462,6	555,1	13,80	PHC BL1088...
BL1222	LH2422	38,1	2 × 2	36,20	5,77	12,71	29,62	151,2	192,0	4,6	PHC BL1222...
BL1223	LH2423		2 × 3				35,43	151,2	192,0	5,8	PHC BL1223...
BL1234	LH2434		3 × 4				47,07	244,6	315,9	8,1	PHC BL1234...
BL1244	LH2444		4 × 4				52,88	302,5	381,1	9,3	PHC BL1244...
BL1246	LH2446		4 × 6				64,52	302,5	381,1	11,6	PHC BL1246...
BL1266	LH2466		6 × 6				76,15	453,7	543,6	13,9	PHC BL1266...
BL1288	LH2488		8 × 8				99,42	605,0	726,0	18,6	PHC BL1288...
BL1422	LH2822	44,45	2 × 2	42,24	6,55	14,29	33,55	191,3	225,7	6,1	PHC BL1422...
BL1423	LH2823		2 × 3				40,16	191,3	225,7	7,6	PHC BL1423...
BL1434	LH2834		3 × 4				53,37	315,8	372,6	10,6	PHC BL1434...
BL1444	LH2844		4 × 4				59,97	382,6	451,2	12,2	PHC BL1444...
BL1446	LH2846		4 × 6				73,18	382,6	451,2	15,2	PHC BL1446...
BL1466	LH2866		6 × 6				86,39	578,3	682,4	18,2	PHC BL1466...
BL1488	LH2888		8 × 8				112,80	765,1	902,8	24,3	PHC BL1488...
BL1622	LH3222	50,8	2 × 2	48,26	7,52	17,46	39,01	289,1	341,1	8,0	PHC BL1622...
BL1623	LH3223		2 × 3				46,58	289,1	341,1	10,0	PHC BL1623...
BL1634	LH3234		3 × 4				61,72	440,4	519,6	14,0	PHC BL1634...
BL1644	LH3244		4 × 4				69,29	573,8	680,4	16,0	PHC BL1644...
BL1646	LH3246		4 × 6				84,43	578,3	680,4	20,0	PHC BL1646...
BL1666	LH3266		6 × 6				99,57	857,4	1000,7	24,0	PHC BL1666...
BL1688	LH3288		8 × 8				129,84	1156,5	1364,6	32,0	PHC BL1688...
BL2022	LH4022	63,5	2 × 2	60,33	9,91	23,81	51,74	433,7	511,7	15,8	PHC BL2022...
BL2023	LH4023		2 × 3				61,70	433,7	511,7	19,8	PHC BL2023...
BL2034	LH4034		3 × 4				81,61	649,4	766,2	27,7	PHC BL2034...
BL2044	LH4044		4 × 4				91,57	867,4	1023,5	31,6	PHC BL2044...
BL2046	LH4046		4 × 6				111,48	867,4	1023,5	39,5	PHC BL2046...
BL2066	LH4066		6 × 6				131,39	1301,1	1535,2	47,4	PHC BL2066...
BL2088	LH4088		8 × 8				171,22	1734,8	2046,5	63,2	PHC BL2088...

Standard lengths are 10 ft. and 5 m. To complete designation, add chain length. For example, a 10 ft. box of BL1022 is PHC BL1022X10FT.