

# SECTION ELEVEN

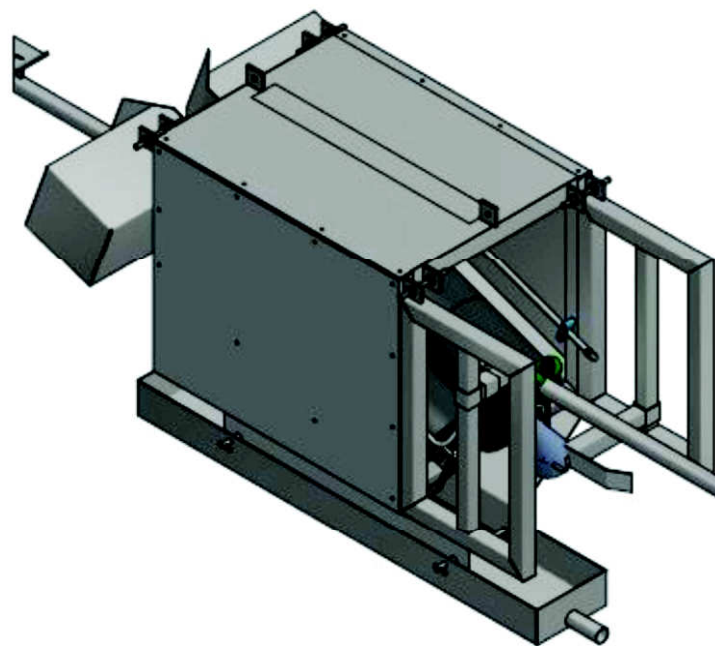
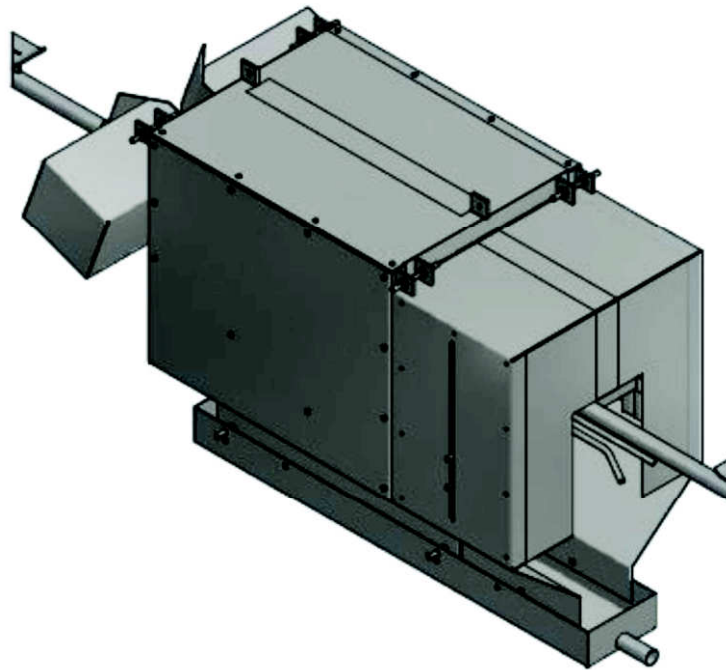
## EQUIPMENT

**Shackle washer**  
**Diaphragm pump**  
**Circular blade sharpener**  
**Pickingfinger puller**  
**Wet area chair**  
**Ergo step**

# Inside shackle washer



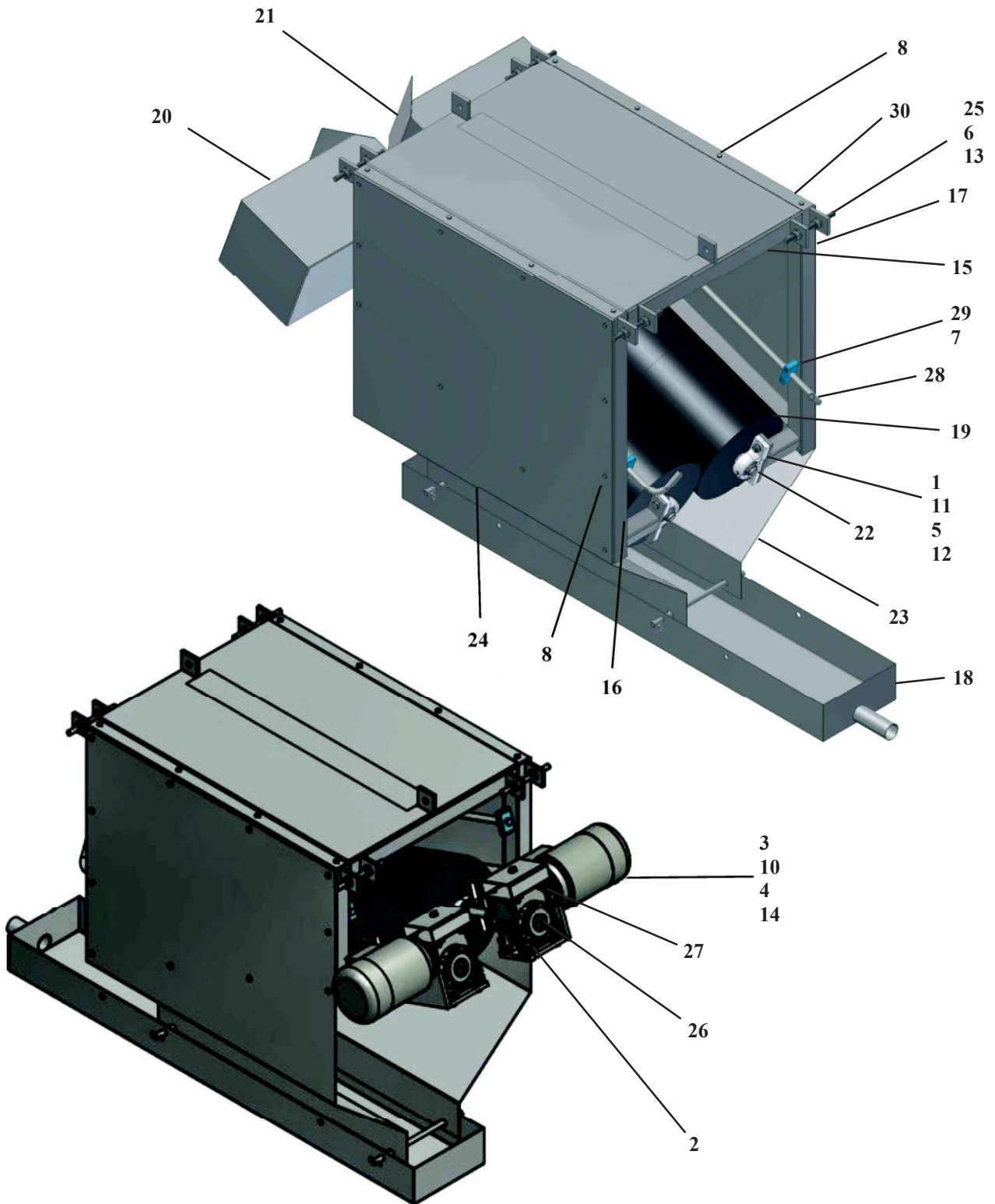
Rodon Int. nr:	Description:	Quantity:	Pos. nr:
CW.CH.001.1	Inside shackle washer		



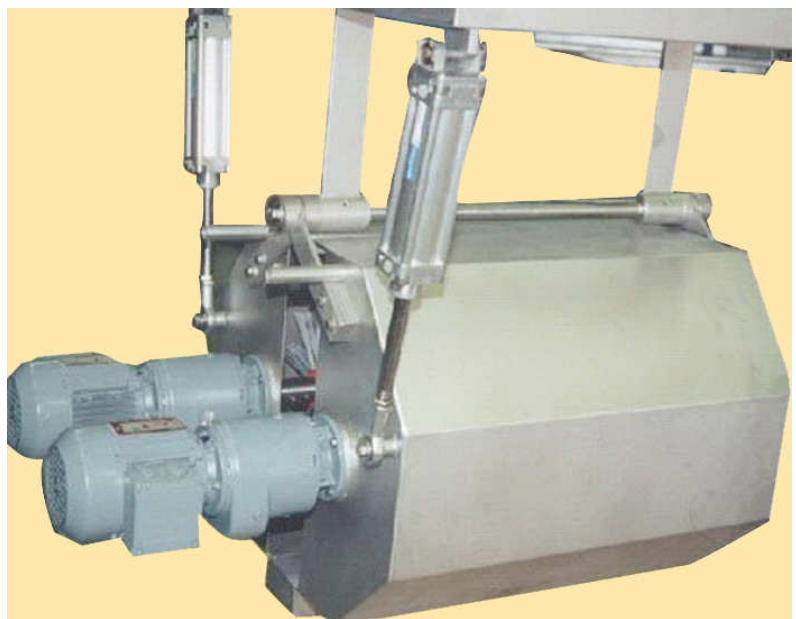
# Shackle washer



Rodon Int. nr:	Description:	Quantity:	Pos. nr:
CW.CH.001	Shackle washer		

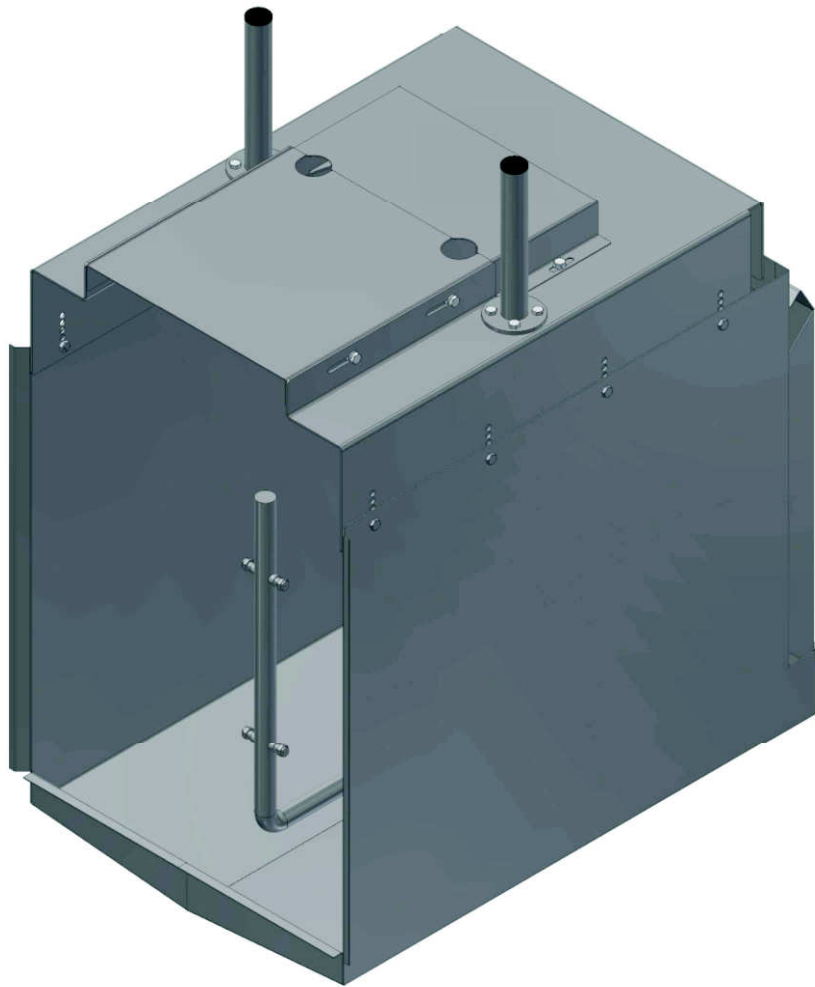


Description : Shackle washer  
Rodon partnumber : CW.CH.001



# Spray cabinets / moisturizer D=291mm

Rodon Int. nr:	Description:	Quantity:	Pos. nr:
<b>OC.40.MC.291</b>	<b>Spray cabinets / moisturizer D=291mm</b>		



# Stunner High frequency



Rodon Int. nr:	Description:	Partnr.OEM:	Pos.nr:
<b>VD.00.501</b>	<b>Stunner</b>		



# Stunner For turkey



Rodon Int. nr:	Description:	Partnr.OEM:	Pos.nr:
VD.50.500	Stunner for turkey 400 per hour		



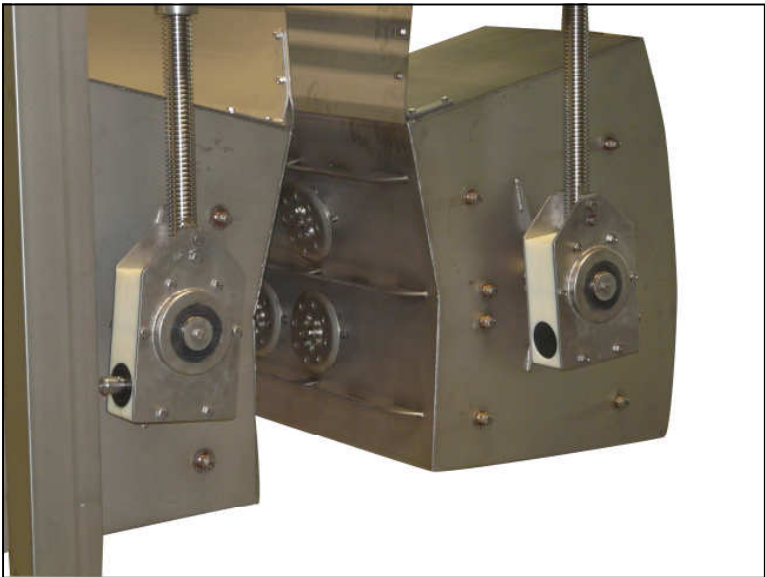
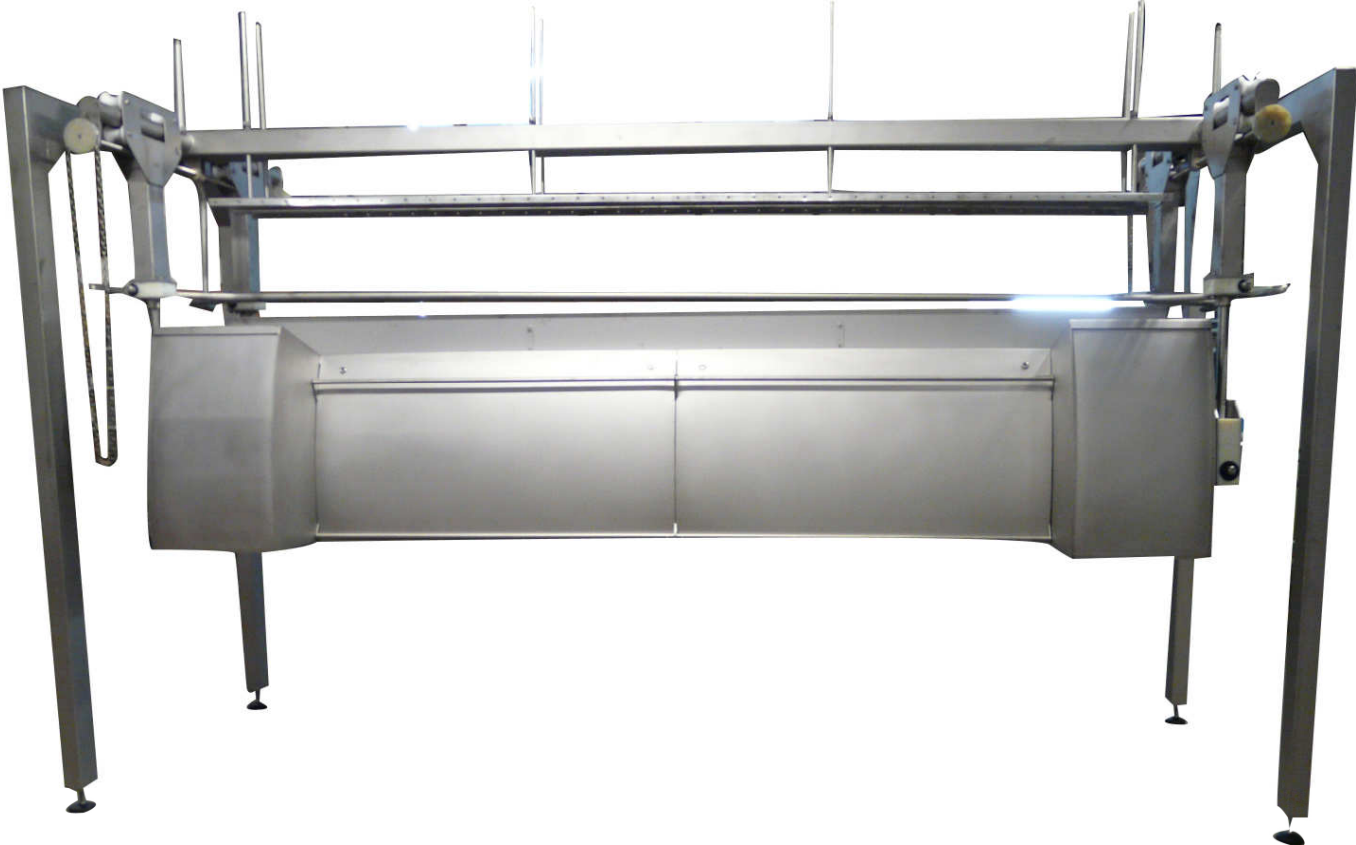
Description : **Defeathering machine**  
Rodon partnumber : **PL.XX.XXX**

---





Description : **Defeathering machine**  
Rodon partnumber : **PL.XX.XXX**



# Machines for defeathering



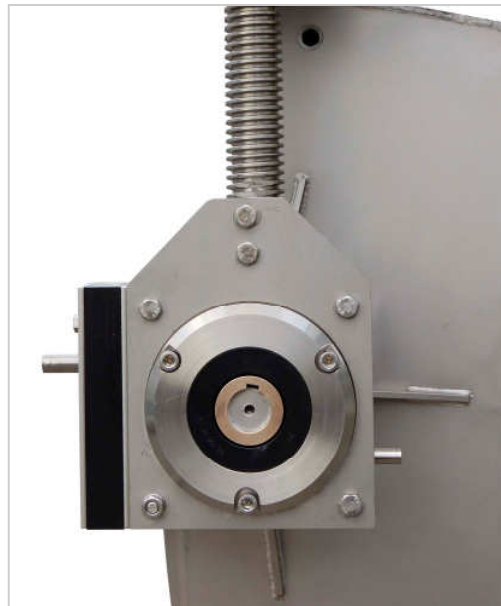
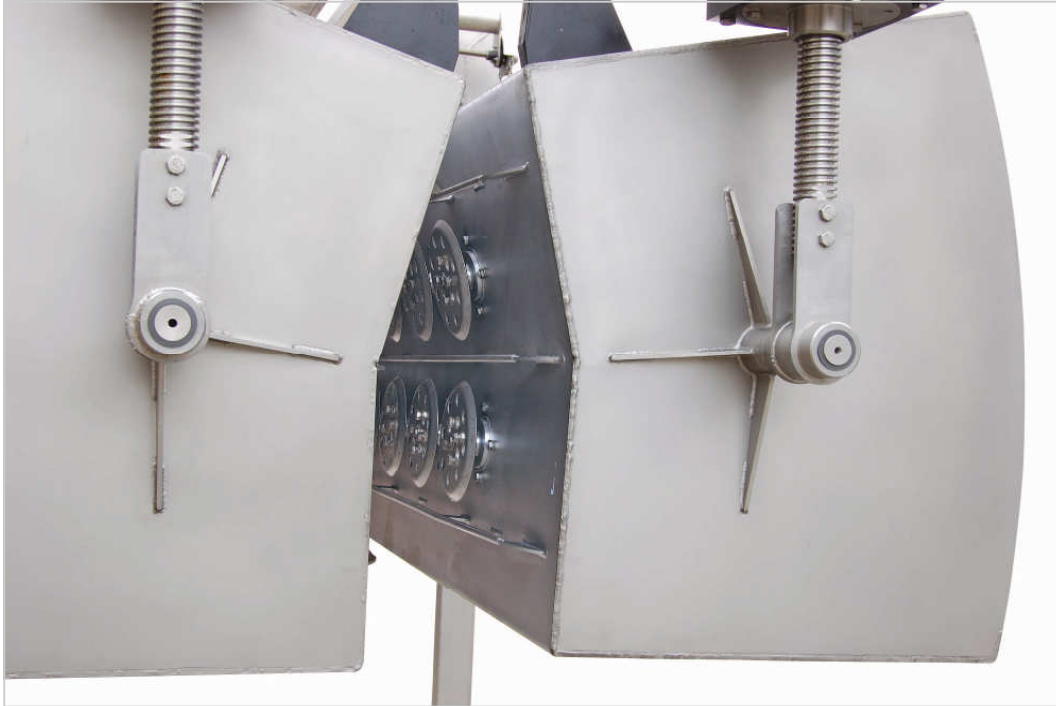
Rodon Int. nr:	Description:	Partnr.OEM:	Pos.nr:
<b>PL.RP.040</b>	<b>Plucking machine 40 discs</b>		
<b>PL.RP.064</b>	<b>Plucking machine 64 discs</b>		



# Defeathering machines



Rodon Int. nr:	Description:	Partnr.OEM:	Pos.nr:
<b>PL.RP.040/064</b>	<b>Plucking machines detailed view</b>		



Description : Intestingwrapper  
Rodon partnumber : IW.MA.500



Description : **Collecting Table - Bow strainer**  
Rodon partnumber : **CT.BS.500**

---



# General Equipment Diaphragm pump 2"



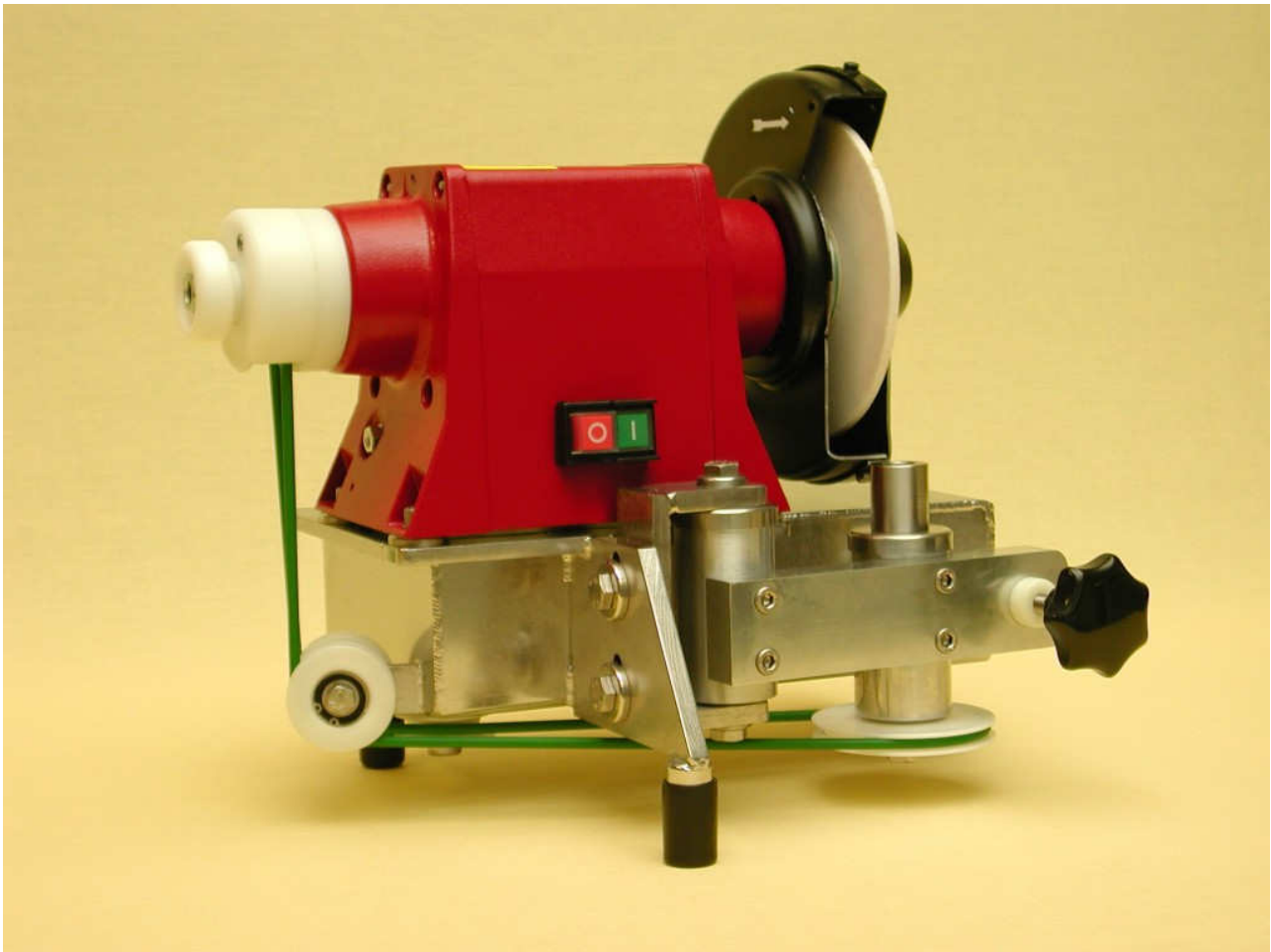
**Flange connection** :2"  
**Powerconsumption** :0,37 kW  
**Voltage** :220/380V – 50Hz  
**Speed** :1.000 – 1.400 RPM  
**Capacity** :from 30 to 100 ltr/min  
**Isolation class.** :IP 56  
**V- belt driven**  
**S.S. parts inside**  
**S.S.frame and cover**



# General Equipment Ventblade sharpener



Rodon Int. nr:	Description:	Partnr.OEM:	Pos.nr:
<b>VC.GR.500</b>	<b>Ventblade sharpener</b>		



# General Equipment

## Circular blade grinder



Rodon Int. nr:	Description:	Partnr.OEM:	Pos.nr:
<b>CM.GR.500</b>			

### Technical specifications

Blade size	:	From 100 up till 300 mm
Blade arbor adaptor size	:	22,2 mm
	:	25/30 mm
	:	32 mm
	:	40 mm
	:	44,4 mm (1,75")

### Weight and dimensions

Machine Net weight	:	60 kg
Machine shipping weight	:	75 kg
Machine shipping weight	:	75 kg
Machine shipping dimensions	:	1 X 1 X 1 mtr

### Power consumption

Grinding stone motor left	:	0,18 kW
Grinding stone motor right	:	0,18 kW
Blade motor	:	<u>0,18 kW ±</u>
Total	:	0,54 kW

### Speed

Blade	:	60 RPM
Grinding stones	:	200 RPM
Motors	:	3000 RPM



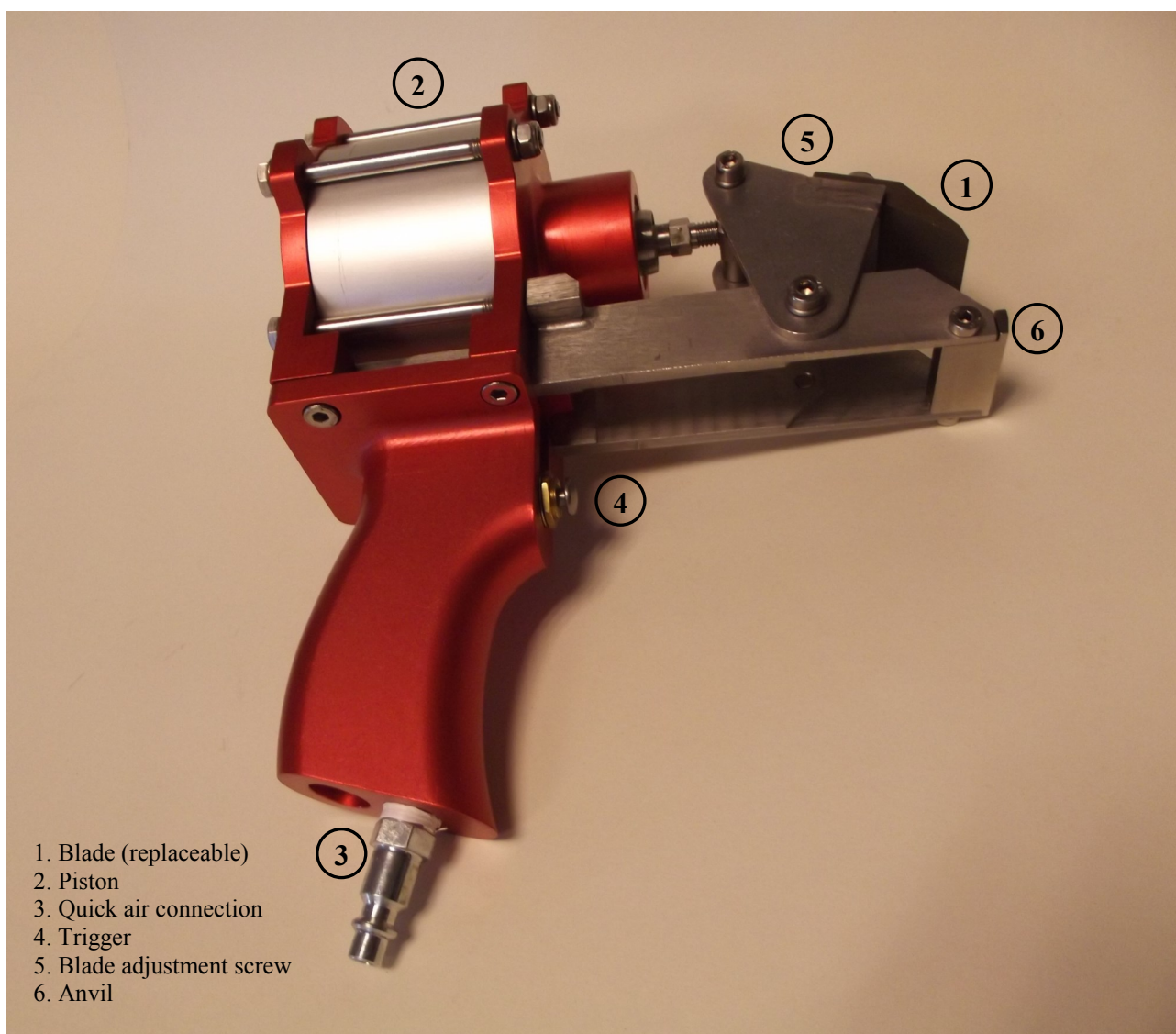


# General Equipment

## Picking finger cutter



Rodon Int. nr:	Description:	Partnr.OEM:	Pos.nr:
PV.KN.500	Picking finger cutter	205.300.000	
PV.KN.001	Blade for picking finger cutter	205.300.015	
PV.KN.002	Piston leader	205.300.006	
PV.KN.003	Ball head shaft	205.300.008	
PV.KN.004	O-ring 74x3	205.300.016	
PV.KN.005	Anvil	205.300.034	
PV.KN.006	Piston	205.300.005	
PV.KN.007	Hose stainless steel	205.300.007	
PV.KN.008	Cutter safety valve	220.205.300.040	
PV.KN.009	Trigger assy	206.000.019	



# General Equipment

## Pickingfinger puller



Rodon Int. nr:	Description:	Partnr.OEM:	Pos.nr:
PV.TR.500	Pickingfinger puller	220.206.000.000	



# General Equipment

## Neck - and hockcutter for turkey/chicken



Rodon Int. nr:	Description:	Partnr.OEM:	Pos.nr:
CD.TC.210	Neck - and hockcutter for turkey		(Rodon pos. 1)
CD.PA.213	Neck - and hockcutter for chicken		(2)



# General Equipment

## Pinion, hock and neck knife - Safety gloves



Rodon Int. nr:	Description:	Partnr.OEM:	Pos.nr:
	<b>Pinion, hock and neck knife</b>		
	<b>Safety tipped gloves</b>		



# General Equipment Gloves-Sterilizing



Rodon Int. nr:	Description:	Partnr.OEM:	Pos.nr:
GL.S5.SLR	Glove 5 fingers S.S. L/R small, white		
GL.S5.MLR	Glove 5 fingers S.S. L/R medium, red		
MS.00.001	Sterilizer 1000Watt 220V 20x14x30cm		



GL.S5.SLR/GL.S5.MLR



GL.S5.SLR/GL.S5.MLR



MS.00.001



MS.00.001

# General Equipment

## Manual Eviscerating Spoon



Rodon Int. nr:	Description:	Partnr.OEM:	Pos.nr:
<b>EV.MA.500</b>	<b>Manual Eviscerating Spoon</b>		



# General Equipment

## Manual Ventcutter



Rodon Int. nr:	Description:	Partnr.OEM:	Pos.nr:
<b>VC.MA.500</b>	<b>Manual ventcutter</b>		

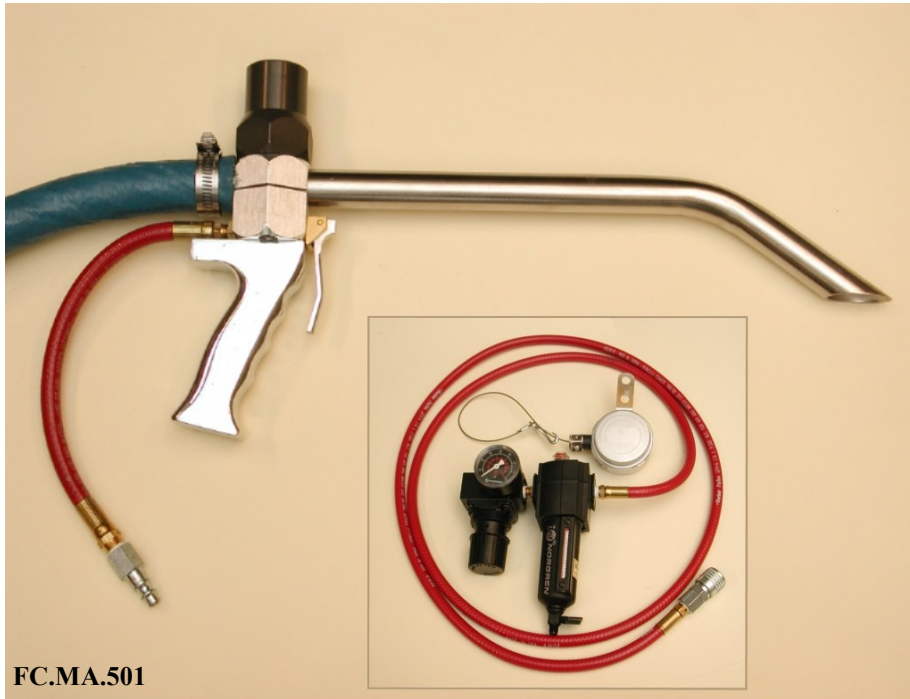


# General Equipment

## Manual lung remover pistol 1"



Rodon Int. nr:	Description:	Partnr.OEM:	Pos.nr:
FC.MA.501	Manual lung remover pistol 1" incl. balancer	2242000	
FC.MA.502	Manual lung remover pistol 1 1/4" incl. balancer	220300000	
FC.MA.503	Manual lung remover, vacume, trigger model	100.904 100904	



FC.MA.501



FC.MA.503



# General Equipment Groom



Rodon Int. nr:	Description:	Partnr.OEM:	Pos.nr:
	<b>S.S. Groom to open both left and right</b>		



# General Equipment

## Packing Horn



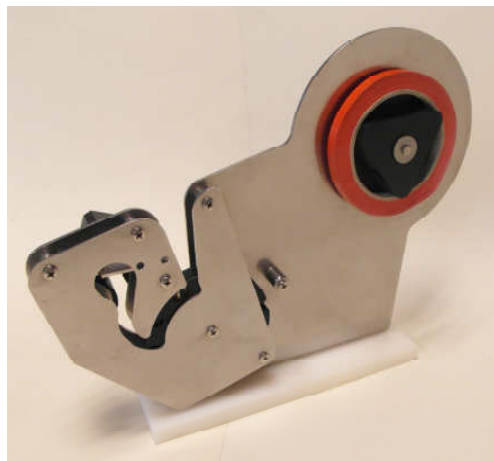
Rodon Int. nr:	Description:	Partnr.OEM:	Pos.nr:
VP.TR.210	Packing horn D210 model 1 S.S.	A19.944.110	
VP.TR.260	Packing horn D260 model 2 S.S.	A19.944.120	
VP.TR.310	Packing horn D310 model 3 S.S.	A19.944.130	
TA.SE.SS01	Tape sealer S.S. (P400 tape)		



VP.TR.210



VP.TR.210



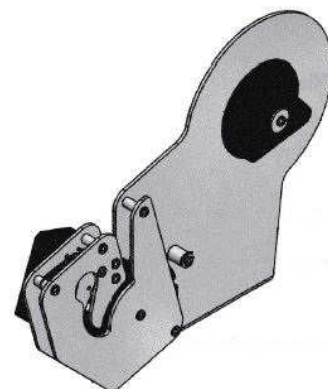
TA.SE.SS01



TA.SE.SS01



TA.SE.SS01



TA.SE.SS01

Een degelijk, bijna onverwoestbaar, hulpmiddel voor eenvoudige aanpassing van de werkplekhoogte ter verbetering van de arbeidsomstandigheden.

**Voor  
permanent  
stacomfort**

VEILIG, HANDIG  
EN EENVOUDIG TE  
REINIGEN

KOMPLEET  
UITGEVOERD IN  
RVS 304

BIEDT VEEL  
BEWEGINGSVRIJHEID,  
62 X 45 CM

ERG STABIEL DOOR  
ANTI-SLIP VOETEN

MOEITeloos  
IN HOOGTE  
VERSTELBAAR  
TUSSEN 10 EN  
25 CM

IN PRAKTIJK  
GETEST

PATENT  
AANGEVRAAGD

**ERGO-STEP**



Uw persoonlijk inbreng bij eventuele aanpassingen  
is altijd mogelijk.

**A very solid and almost undestructable  
so called wet area chair, usable in the whole  
of the food industry**



**your personal ideas on any adaption  
are always possible**