

Product Catalogue

Contents

Section 1 Spare parts for	Overheadconveyor lines
Section 2 Spare parts for	Defeathering Machines
Section 3 Spare parts for	Gizzard Harvesters – Control Tables
Section 4 Spare parts for	Ventcutters
Section 5 Spare parts for	Cropping Machines
Section 6 Spare parts for	Various Machines
Section 7	Brushes
Section 8	Circular knives – Straight blades
Section 9	Springs
Section 10	General Parts
Section 11	Equipment

This catalogue contains spare parts suitable for all kinds of poultry processing equipment. Not all parts in the Rodon International delivery program are mentioned in this publication. Please feel free to contact us on any parts which are not mentioned in this catalogue.

We wish to stress that all parts in this book are manufactured by our own sources, they are compatible with the OEM parts. We are not a representative for any poultry processing equipment manufacturer, so these parts are not theirs. These parts are replacement parts, however, all parts are fully interchangeable with the original manufacturer spare parts.

All rights reserved. No part of this publication may be reproduced, stored in a retrieval system or transmitted in any form or by any means, electronic, mechanical, photocopying, recording or otherwise without the prior permission of Rodon International B.V.

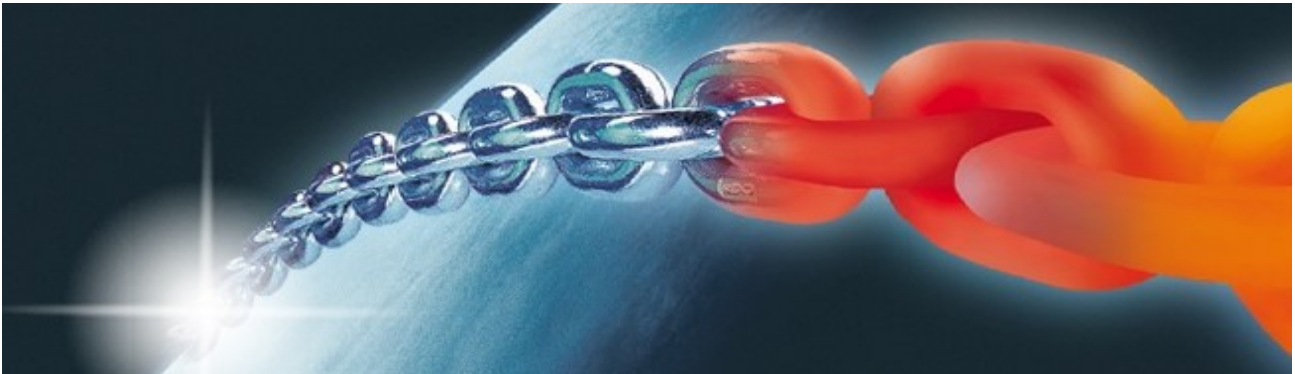
Catalogue version: June 2018.

**Innova Product Kft. 4251 Hajdúsámson, Száraz u. 7/2.
info@innovaproduct.hu - +36 52 556 666 - www.innovaproduct.hu**

SECTION ONE

Spare parts for: Overheadconveyor lines

Technical Datasheet OC.00.100
 RUD Overhead Chain R40C - 8 x 25,4mm



For more than a decade we have been the worldwide exclusive distributor for RUD Overhead conveyor chains in the poultry industry.

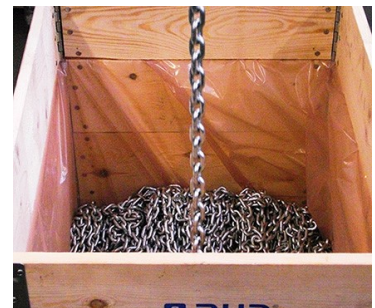
RUD chains are long-lasting, robust and suitable for every production environment in the poultry industry.

Advantages of round steel chains in comparison to competitive systems:

- Highly wear resistant for a long time
- High strength, as optimally heat-treated
- Super calibrated
- Robust and durable
- Low-maintenance when compared to other systems
- Less susceptible to corrosion due to dacromate finishing
- Packaging : 10 bundles of 50 meters, in heat treated pallets(LT.000.805)



Bundles of 50 meter

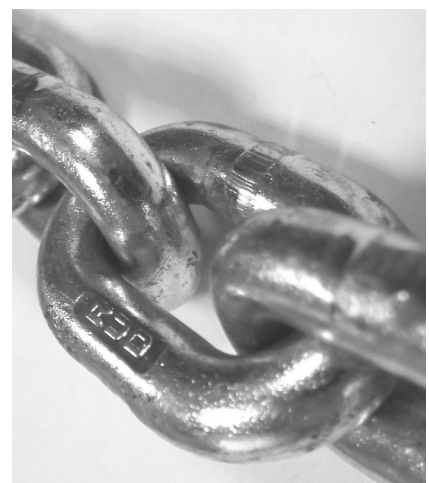


Standard packaging



Technical Data according DIN : EN 10204

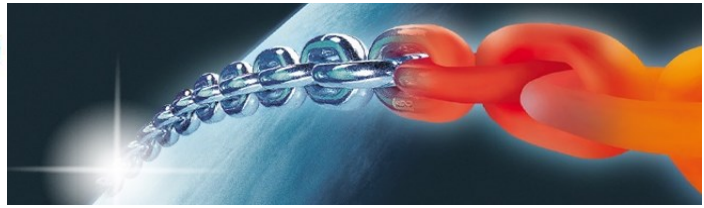
Material	Special chain steel	
		Nominal values
Manufacturering proof load	kN	24
Stress at proof load	N/mm ²	240
Guaranteed minimum breaking load	kN	40
Stress at guaranteed minimum breaking load	N/mm ²	400
Extension at fracture	Ca. %	2
Chain diameter	mm	8
Pitch	mm	25,4
Hardness of surface layer at intrador	HV 30	800 min
Hardening depth in the joint	mm	0,72



Innova Product Kft. 4251 Hajdúsámson, Száraz u. 7/2.
 info@innovaproduct.hu - +36 52 556 666 - www.innovaproduct.hu

Packaging Details

RUD Overhead Chain R40C - 8 x 25,4mm



For more than a decade Rodon has been the worldwide exclusive distributor for RUD Overhead conveyor chains used in the poultry industry.

RUD round steel chains are long-lasting, robust and suitable for every production environment in the poultry industry.

The high quality requires proper packaging to avoid damage during transport. All packaging used for the transport of assembled and naked chain are heat treated in accordance with LT.000.805



Standard packaging

RUD Overhead Chain R40C—8 x 25,4 mm

- Per pallet : 10 bundles of 50 mtr.
- Total quantity : 500 mtrs
- Pallet dimensions : 80x60x89 cm
- Pallet Weight : 702,5 kgs.

To protect the assembled overhead chain Rodon maintains a high standard for packaging. All assembled overhead chain combinations are packed in heated treated (HT-68) wooden crates which have a protective carton inside to avoid damage of trolley and brackets.

To withhold moisture or dirt which might occur during transport all pallets are shrink foiled and clearly labelled of the content.



Contains : 200 mtr 6" overhead chain	Contains : 250 mtr 6" overhead chain	Contains : 250 mtr 6" overhead chain
Compatible : with Meyn	Compatible : with Stork	Sealed and ready shipment
Pallet dimensions : 120x100x120 cm	Pallet dimensions : 120x100x160 cm	Pallet dimensions : 120x100x160 cm
Pallet weight : 675 kgs.	Pallet weight : 875 kgs	Pallet weight : 875 kgs

Innova Product Kft. 4251 Hajdúsámson, Száraz u. 7/2.
 info@innovaproduct.hu - +36 52 556 666 - www.innovaproduct.hu

Overhead Conveyor lines

Overhead chain and connection links



Rodon Int. nr:	Description:	Partnr.OEM:	Pos. nr:
OC.00.100	Overhead chain 1" 8x25,4 supercalibrated, hardened and galvanized	89.2926.069.0007/0013 99.25758 4R 442 735	48 608
OC.00.101	Connection link for overhead chain	89.2926.069.0009 99.257585 4R 526 579	609
OC.00.102	Overhead chain 8x25,4 Stainless Steel	89.2926.011.0009 635.999 652.661	
OC.00.105	Overhead chain 10x38 supercalibrated	89.2926.207.0001	
OC.00.106	Connection link for overhead chain 10x38		
OC.00.107	Overhead chain 8x38 supercalibrated		
OC.10.107EG	Overhead chain 8x38 supercalibrated and galvanized		



OC.00.101

Innova Product Kft. 4251 Hajdúsámson, Száraz u. 7/2.
 info@innovaproduct.hu - +36 52 556 666 - www.innovaproduct.hu

Overhead Conveyor lines

S.S. Intermediate chain for defeathering shackles



Rodon Int. nr:	Description:	Partnr.OEM:	Pos. nr:
OC.10.040	S.S. Intermediate chain for defeathering shackles	89.2926.011.0001 99.257731 09.1250.025	



Innova Product Kft. 4251 Hajdúsámson, Száraz u. 7/2.
info@innovaproduct.hu - +36 52 556 666 - www.innovaproduct.hu



Overhead conveyor parts compatible with Meyn

Overhead Conveyor compatible with Meyn Trolley



Rodon Int. nr:	Description:	Partnr.OEM:	Pos.nr:
OC.10.504	Trolleywheel D=49mm green	0990.T022.000.13 - 0990.T022.000.07	44
OC.10.528	Trolleywheel D=49mm blue	0990.T022.000.13	47
OC.10.001	Trolley bracket	0990.T022.005.00 – 120.00.084	46
OC.10.503	Trolley half with wheel, green	0990.T023.001.01 – 120.00.084	44/45/46/50/53/54
OC.10.503B	Trolley half with wheel, blue		
OC.10.502	Trolley complete with green wheel	0990.T023.000.01 – 120.00.086	
OC.10.502B	Trolley complete with blue wheel		



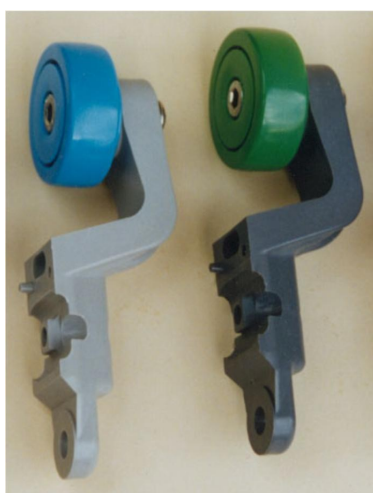
OC.10.528

OC.10.504

OC.10.528



OC.10.001



OC.10.503B

OC.10.503



OC.10.502B



OC.10.502

Meyn Overhead Conveyor

Overheadconveyor chain with trolleys



Rodon Int. nr:	Description:	Partnr.OEM:	Pos.nr:
OC.10.510	Overheadconveyor chain with trolleys 4" pitch	0990.T039.000.05	
OC.10.520	Overheadconveyor chain with trolleys 6" pitch	0990.T039.000.06	
OC.10.530	Overheadconveyor chain with trolleys 8" pitch	0990.T039.000.07	
OC.10.540	Overheadconveyor chain with trolleys 10" pitch	0990.T039.000.08	
OC.10.550	Overheadconveyor chain with trolleys 12" pitch	0990.T039.000.	



New generation
Double click trolley compatible with Meyn



Food safety starts here
Experience the low bacteria
adhesion on our trolleys

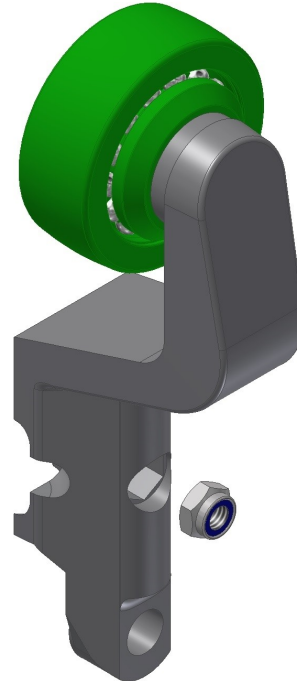
Advantages

Double click trolley compatible with Meyn



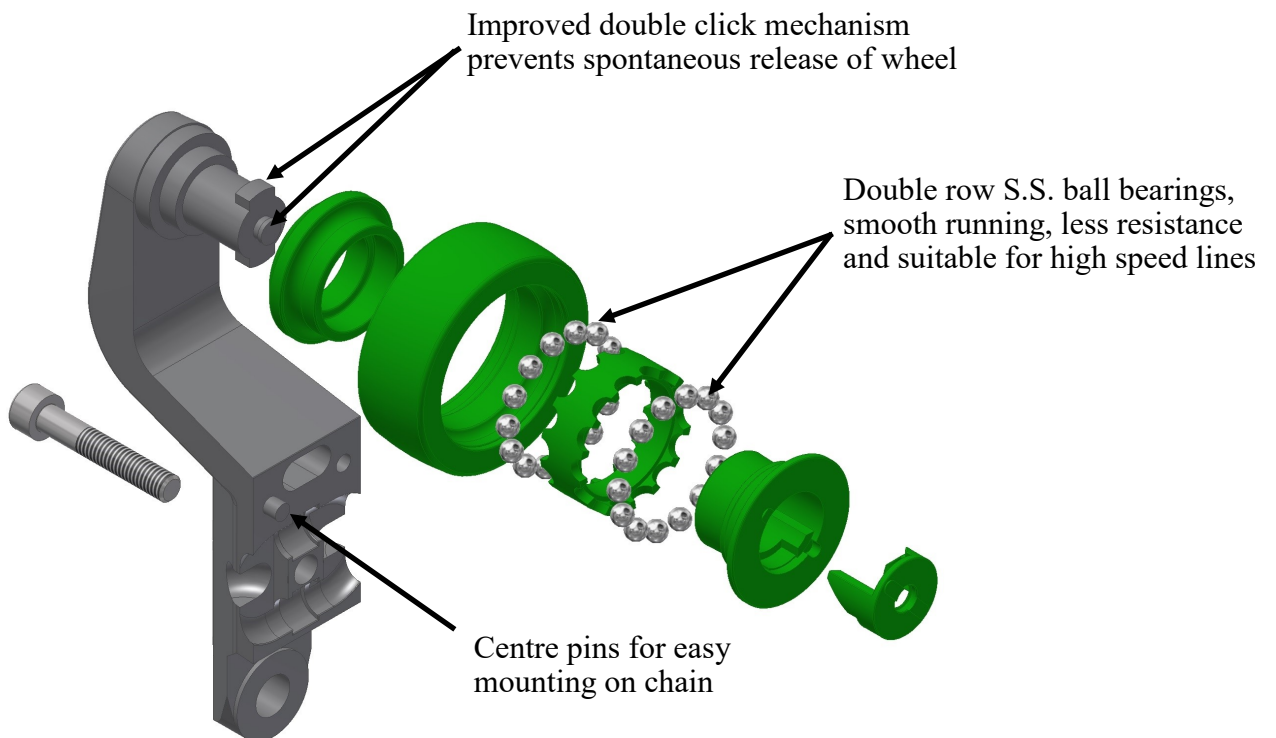
Extreme low bacteria adhesion due to:

- No cavity
- No protruding bolt and nut
- Smooth surface
- No brand names
- No production marks
- No part numbers



Reinforced glassfibre, light weight resulting in:

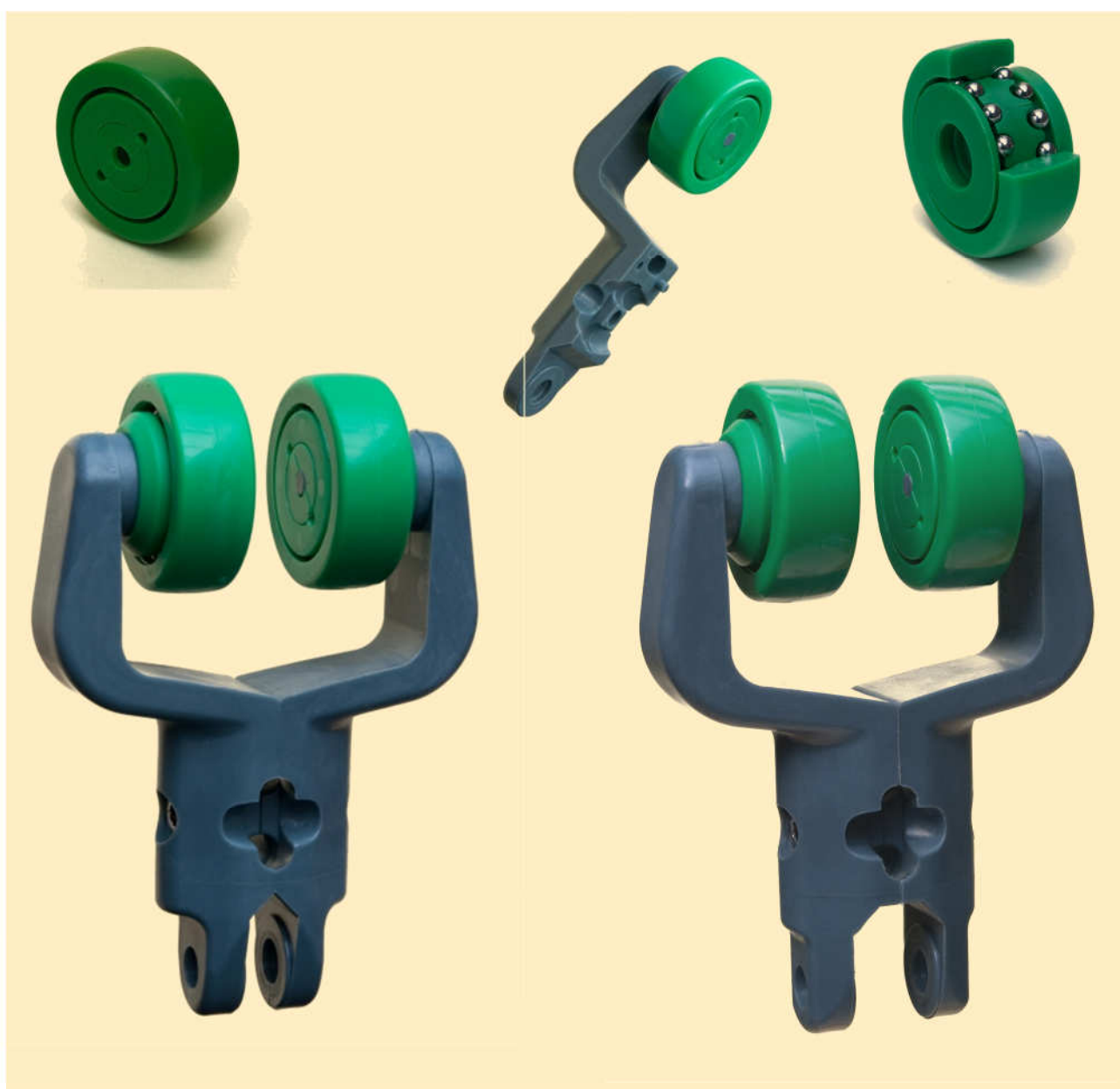
- Lower power consumption
- Longer lifespan of the chain



Overhead Conveyor compatible with Meyn Click trolley



Rodon Int. nr:	Description:	Partnr.OEM:	Pos.nr:
OC.12.504	Trolleywheel D=49mm green click version		
OC.12.001	Trolley bracket synthetic for T-track click version		
OC.12.002	Trolley bracket wide synthetic for T-track click version		
OC.12.503	Trolleyhalf with green wheel click version	0990.T023.001.24	
OC.12.506	Trolleyhalf wide with green wheel click version	0990.T023.001.22	
OC.12.502	Trolley complete click version	0990.T023.000.24	
OC.12.508	Trolley complete wide click version	0990.T023.000.22	



Overhead Conveyor compatible with Meyn Overhead conveyor chain with click trolleys



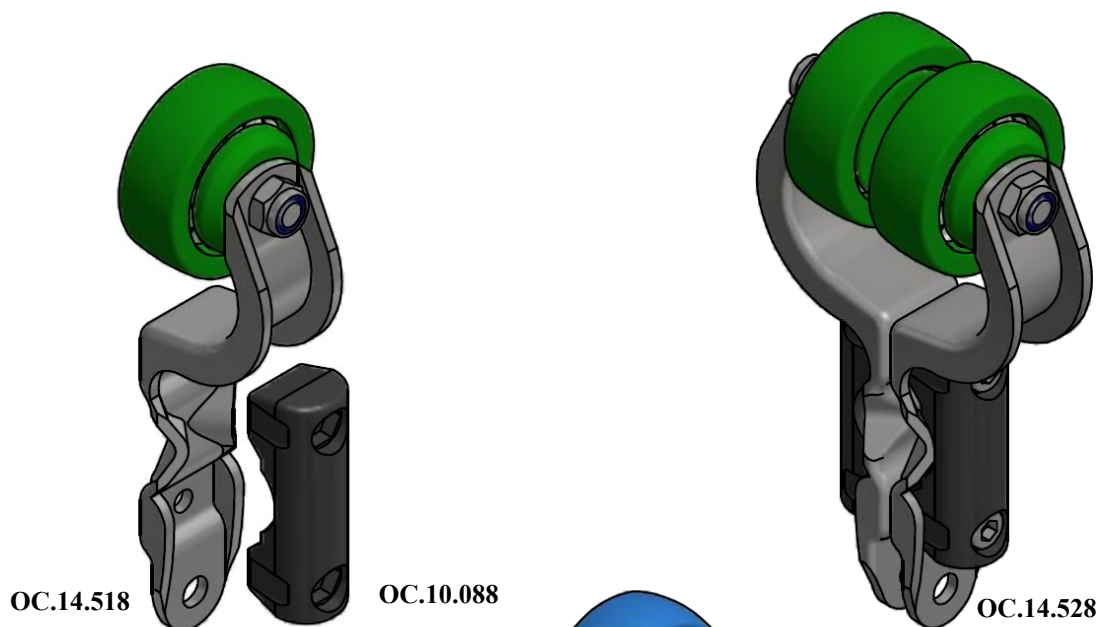
Rodon Int. nr:	Description:	Partnr.OEM:	Pos.nr:
OC.12.510	Overheadconveyor chain with trolleys 4" pitch click version		
OC.12.520	Overheadconveyor chain with trolleys 6" pitch click version	0990.T039.000.62	
OC.12.530	Overheadconveyor chain with trolleys 8" pitch click version	0990.T039.000.63	
OC.12.540	Overheadconveyor chain with trolleys 10" pitch click version	0990.T039.000.64	
OC.12.550	Overheadconveyor chain with trolleys 12" pitch click version		
OC.12.560	Overheadconveyor chain with trolleys 6" pitch wide click version	0990.T039.000.59	



Meyn Overhead conveyor Stainless steel T-track trolleys



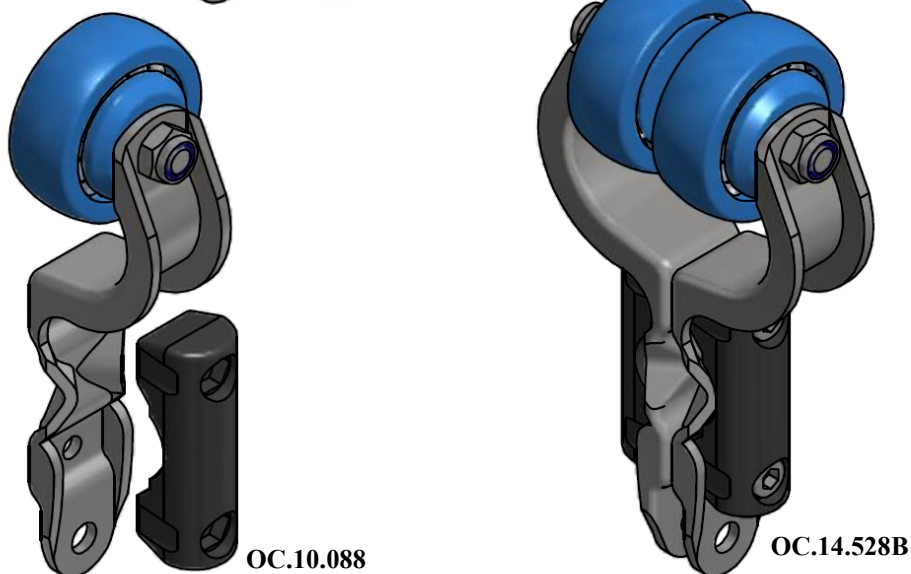
Rodon Int. nr:	Description:	Partnr.OEM:	Pos. nr:
OC.10.504	Trolleywheel D=49mm green	0990.T.022.000.13 0990.T.022.000.07	47
OC.10.528	Trolleywheel D=49mm blue	0990.T022.000.13	47
OC.40.086	Trolleybracket S.S. for T-Track	0990.T023.000.12	
OC.14.518	Trolley bracket half S.S. with green wheel		
OC.14.518B	Trolley bracket half S.S. with blue wheel		
OC.10.088	Synthetic insert for S.S. t-track trolley	0990.T022.16	
OC.14.528	Trolley bracket complete S.S. with green wheel		
OC.14.528B	Trolley bracket complete S.S. with blue wheel		



OC.14.518

OC.10.088

OC.14.528



OC.14.518B

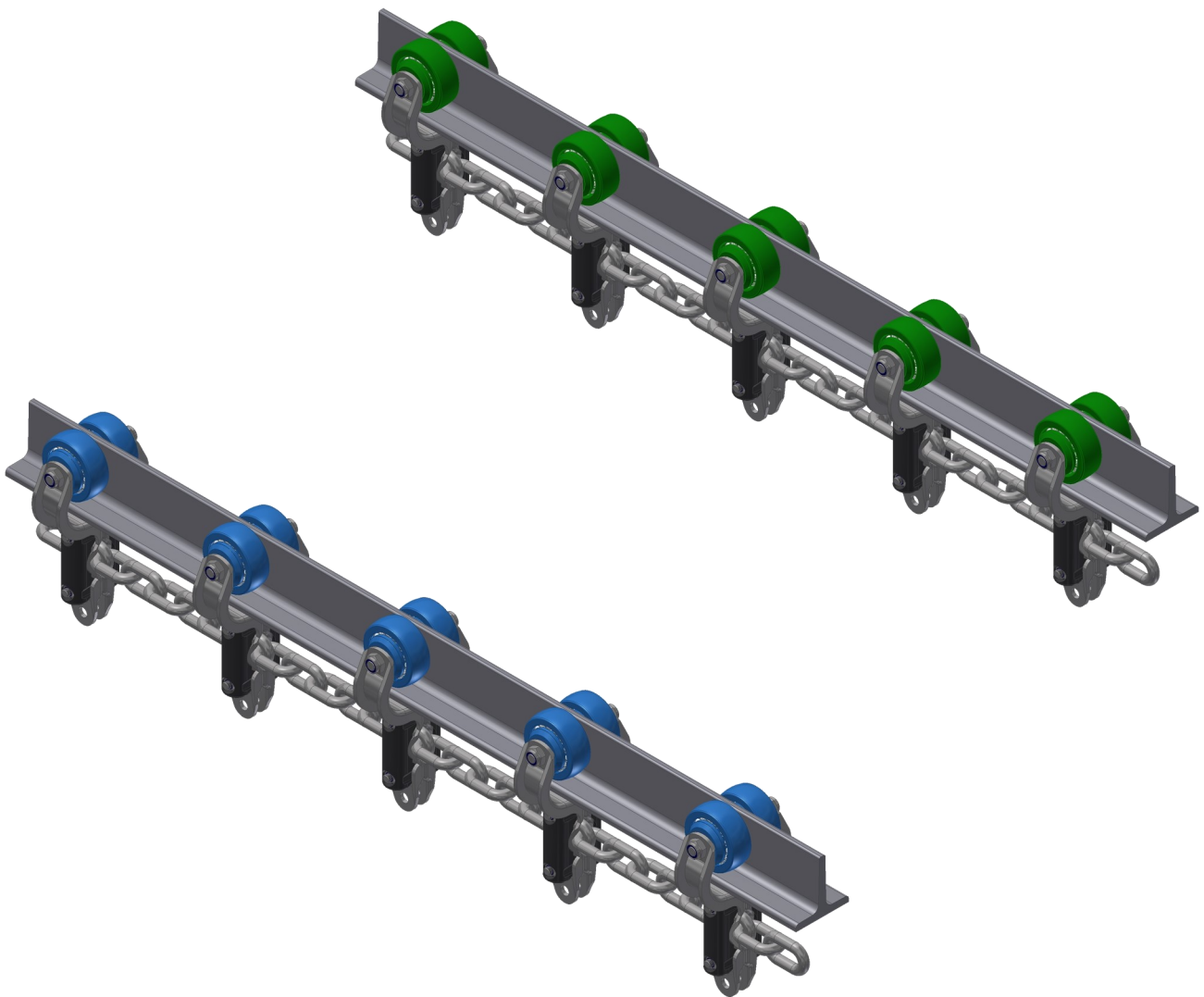
OC.10.088

OC.14.528B

Overhead Conveyor compatible with Meyn Galvanized chain with stainless steel trolleys



Rodon Int. nr:	Description:	Partnr.OEM:
OC.14.510	Galvanized overheadconveyor chain with S.S. trolleys 4" pitch, green wheel	
OC.14.520	Galvanized overheadconveyor chain with S.S. trolleys 6" pitch, green wheel	
OC.14.530	Galvanized overheadconveyor chain with S.S. trolleys 8" pitch, green wheel	
OC.14.540	Galvanized overheadconveyor chain with S.S. trolleys 10" pitch, green wheel	
OC.14.550	Galvanized overheadconveyor chain with S.S. trolleys 12" pitch, green wheel	
OC.14.510B	Galvanized overheadconveyor chain with S.S. trolleys 4" pitch, blue wheel	
OC.14.520B	Galvanized overheadconveyor chain with S.S. trolleys 6" pitch, blue wheel	
OC.14.530B	Galvanized overheadconveyor chain with S.S. trolleys 8" pitch, blue wheel	
OC.14.540B	Galvanized overheadconveyor chain with S.S. trolleys 10" pitch, blue wheel	
OC.14.550B	Galvanized overheadconveyor chain with S.S. trolleys 12" pitch, blue wheel	



Overhead Conveyor compatible with Meyn Synthetic connector for cut-up line



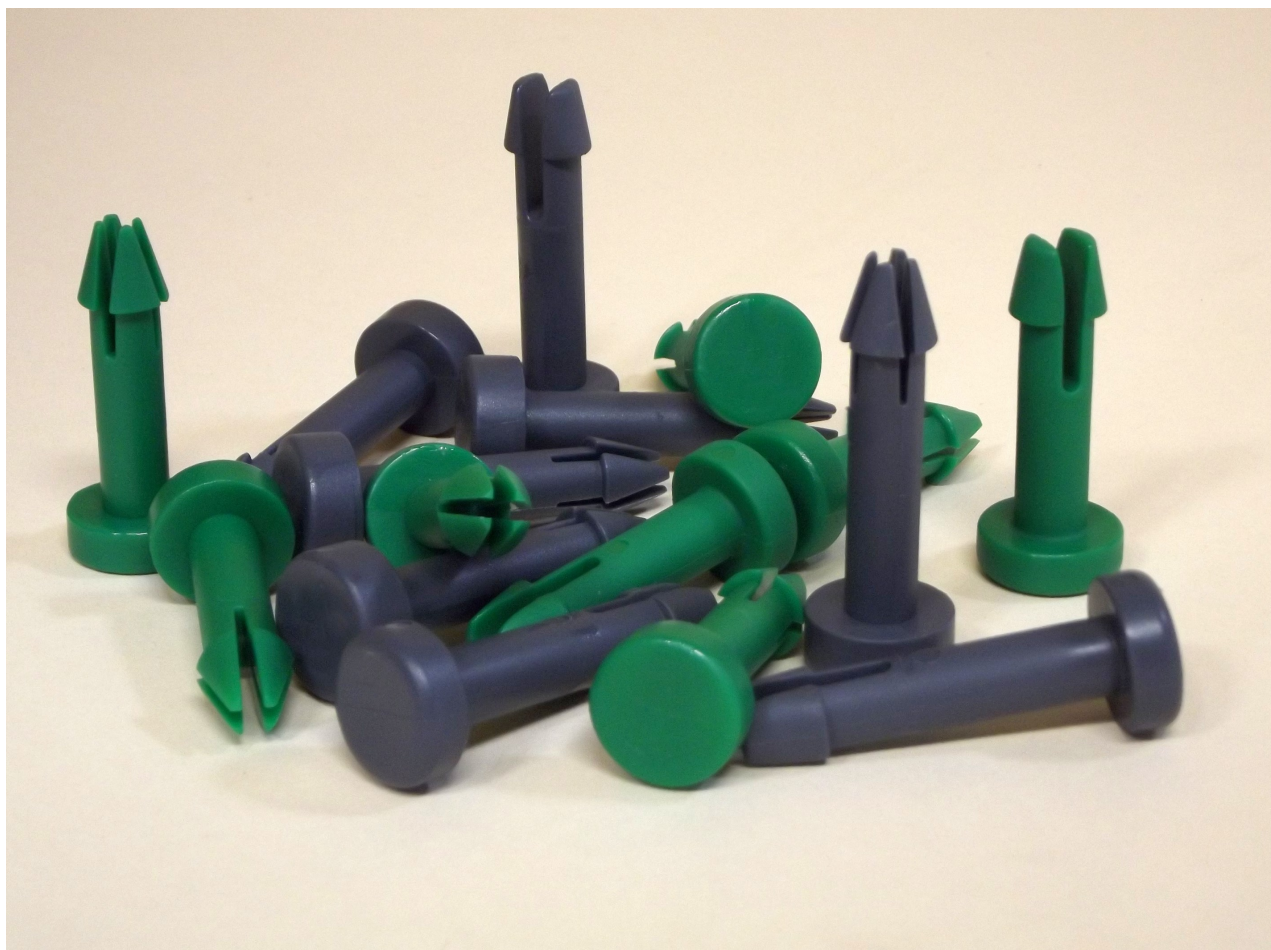
Rodon Int. nr:	Description:	Partnr.OEM:	Pos.nr:
OC.10.020	Synthetic connector for weighing line	0990.H038.013.00 – 120.64.005	



Overhead Conveyor compatible with Meyn Fastening pin



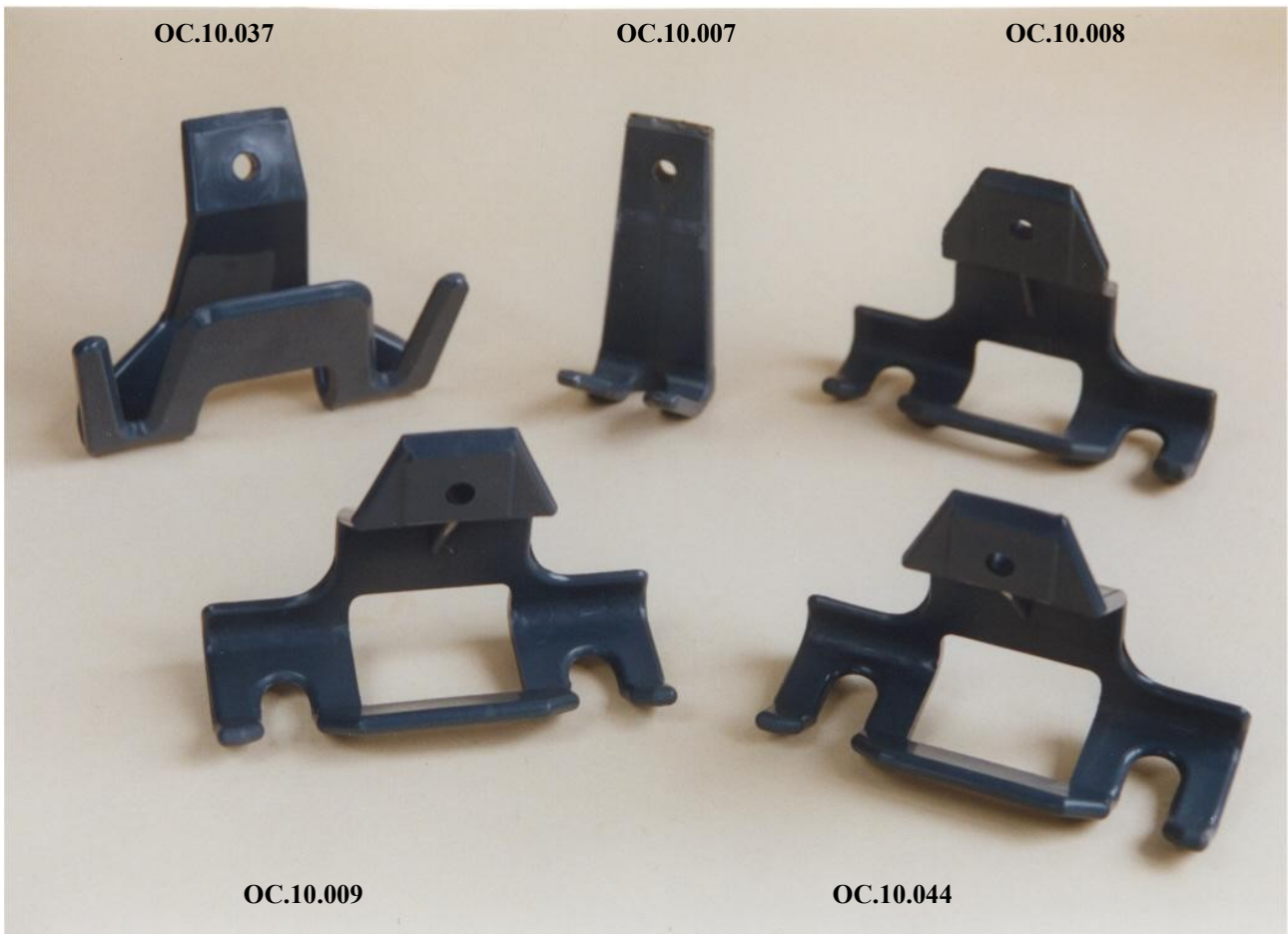
Rodon Int. nr:	Description:	Partnr.OEM:	Pos.nr:
OC.10.002	Pin long L=30mm, grey	0990.T022.004.00	
OC.10.002.4	Pin long L=30mm, 4 quarters, grey	0990.T022.004.00	
OC.10.021	Pin short L=25mm, green	0990.H024.007.00	
OC.10.021B	Pin short L=25mm, blue		
OC.10.021G	Pin short L=25mm, grey		
OC.10.021.4	Pin short L=25mm,4 quarters, green		



Airchilling Department compatible with Meyn Synthetic airchilling shackle



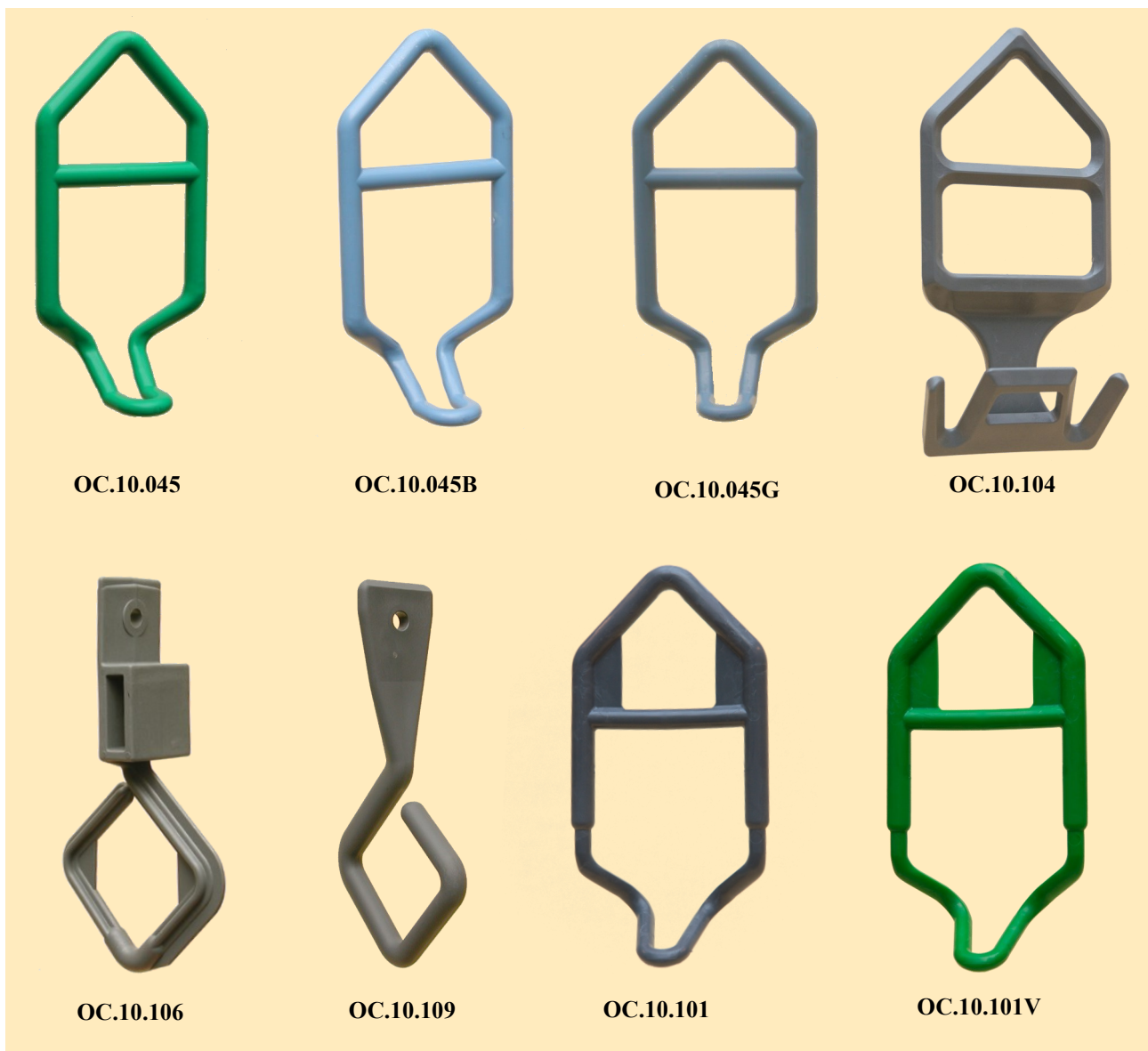
Rodon Int. nr:	Description:	Partnr.OEM:	Pos. nr:
OC.10.007	Synth. airchilling shackle 1 leg	0990.H045.000.01	
OC.10.008	Synth. airchilling shackle 2 legs type 1	0990.H046.004.00	
OC.10.009	Synth. airchilling shackle 2 legs type 2	0990.H046.007.00	
OC.10.044	Synth. airchilling shackle 2 legs type 2 deeper slots	0990.H046.012.00	
OC.10.037	Synth. airchilling shackle 2 legs type 3	0990.H046.010.00	



Overhead Conveyor compatible with Meyn Drop rod and weighing shackle



Rodon Int. nr:	Description:	Partnr.OEM:	Pos.nr:
OC.10.101	Weighing shackle W1-N grey	0990.H030.007.00	
OC.10.101V	Weighing shackle W1-N green	0990.H030.008.00	
OC.10.104	Weighing shackle 2 legs grey 244 gr.	0990.H030.000.23	
OC.10.109	Drop rod for weighing shackle N.T.	0990.H038.002.00	
OC.10.006	Replaced by OC.10.109	0990.H038.001.00 - 202.01.002	
OC.10.045	Synth. Weighing/cut-up shackle 77 gr. green	0990.H031.019.00	
OC.10.45B	Synth. Weighing/cut-up shackle 77 gr. Blue	0990.H031.027.00	
OC.10.045G	Synth. Weighing/cut-up shackle 77 gr. Grey	0990.H031.	



Overhead Conveyor compatible with Meyn Synthetic Eviscerating shackle



Rodon Int. nr:	Description:	Partnr.OEM:	Pos.nr:
OC.10.039	Ev. shackle 12mm footspace, grey	0990.H020.000.18-201.70.000	
OC.10.049	Ev. shackle 12mm footspace, green	0990.H020.000.41-201.70.000	
OC.10.050	Ev. shackle 14mm footspace, grey	0990.H020.000.29	
OC.10.051	Ev. shackle 14mm footspace, green	0990.H020.000.29	
OC.10.058	Ev. shackle 9 mm footspace, grey	0990.H020.000.	
OC.10.059	Ev. shackle 9 mm footspace, green	0990.H020.000.	
OC.10.060	Ev. shackle 10 mm footspace, grey	0990.H020.000.50	
OC.10.061	Ev. shackle 10 mm footspace, green	0990.H020.000.	
OC.10.039B	Ev. shackle 12mm footspace, blue	0990.H020.000.68	



OC.10.049

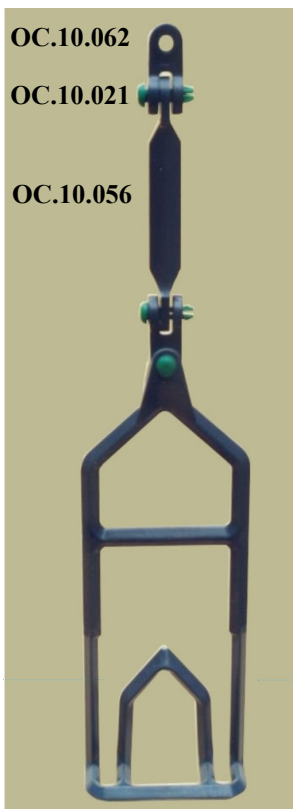
OC.10.039

OC.10.039B

Overhead Conveyor compatible with Meyn Complete synthetic eviscerating shackle



Rodon Int. nr:	Description:	Partnr.OEM:	Pos. nr:
OC.10.021	Fastening pin, green	0990.T022.004.00	
OC.10.021.4	Fastening pin, 4 quarters, green	0990.T022.004.00	
OC.10.056	Suspension rod L=134mm, grey	0990.H024.004.00	
OC.10.057	Suspension rod L=134mm, green	0990.H024.004.00	
OC.10.062	Nuckle joint, grey	0990.H024.005.00	
OC.10.063	Nuckle joint, green	0990.H024.021.00	
OC.10.516	Complete Ev. shackle 12 mm, grey	0990.H020.000.28-201.70.000	
OC.10.518	Complete Ev. shackle 12 mm, green	0990.H020.000.42-201.70.000	
OC.10.521	Complete Ev. shackle 9 mm, grey	0990.H020.000.35	
OC.10.522	Complete Ev. shackle 9 mm, green	0990.H020.000.	
OC.10.523	Complete Ev. shackle 10 mm, grey	0990.H020.000.49	
OC.10.524	Complete Ev. shackle 10 mm, green	0990.H020.000.	
OC.10.525	Complete Ev. shackle 14 mm, grey	0990.H020.000.30	
OC.10.526	Complete Ev. shackle 14 mm, green	0990.H020.000.44	
OC.10.080	Suspension rod L=235mm, grey	0990.H024.013.00	
OC.10.081	Suspension rod L=235mm, green	0990.H024.013.00	
OC.10.171	Suspension rod L=195mm, grey	0990.H024.012.00	
OC.10.172	Suspension rod L=195mm, green	0990.H024.012.00	



Overhead conveyor lines

Stainless Steel shackles



Rodon Int. nr:	Description:	Partnr.OEM:	Pos.nr:
OC.10.015	Defeathering shackle	0990.H010.000.01	
OC.10.016	Eviscerating shackle	0990.H020.000.06	
OC.10.017	Connecting rod for Ev. shackle	0990.H024.001.00-201.62.000	
OC.10.018	Cut-up weighing shackle, flat nose	0990.H031.000.01-202.02.000	
OC.10.019	Cut-up weighing shackle, curved nose	0990.H031.000.01-202.02.000	
OC.10.024	Eviscerating shackle	0990.H020.000.	
OC.10.025	Drop rod Ev. Shackle S.S.	0990.H024.000.01	



OC.10.015



OC.10.016



OC.10.017



OC.10.018



OC.10.019



OC.10.025

We carry all versions of Stainless Steel shackles in our delivery program

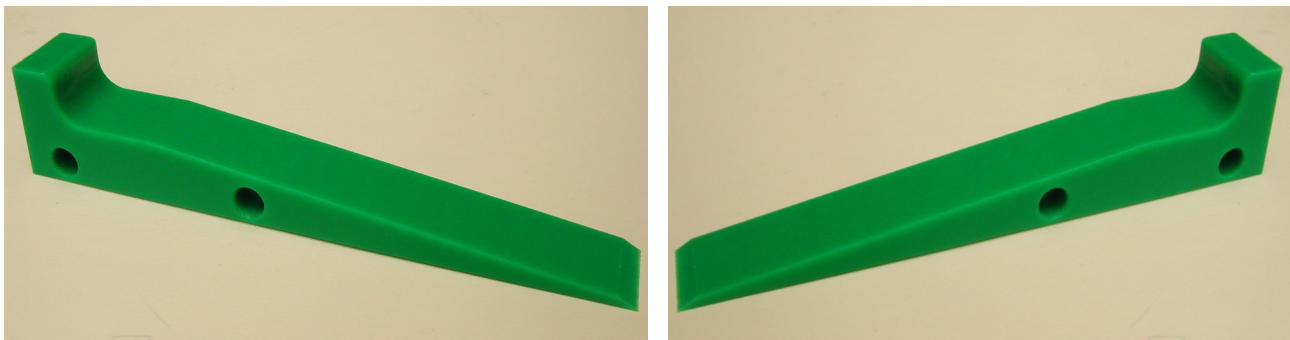
Overhead Conveyor compatible with Meyn Swivelblock



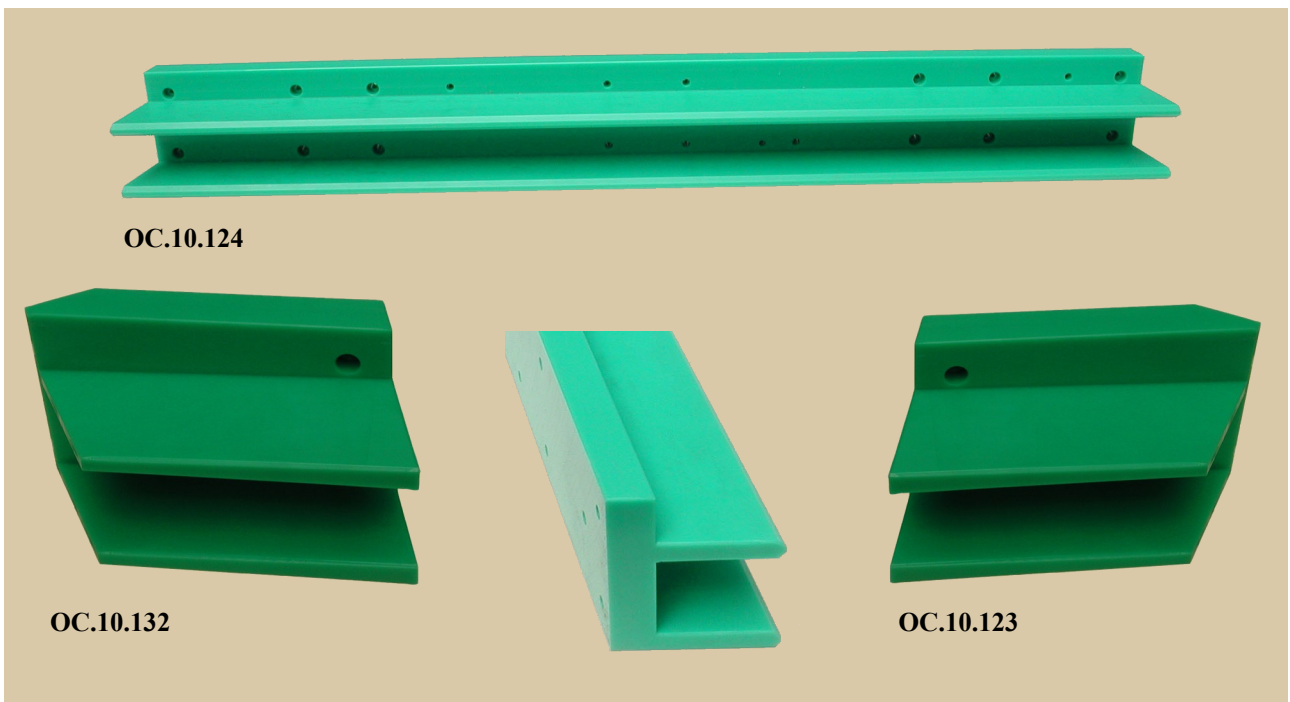
Rodon Int. nr:	Description:	Partnr.OEM:	Pos.nr:
OC.10.111	Swivelblock B=30	0990.DG00.028.00	11
OC.10.112	Swivelblock B=50	0990.DG00.027.00	10
OC.10.122	Shackle guide bar	0990.DG00.000.22	8
OC.10.123	Shackle guidance inlet (green)	0990.DG00.009.00	1
OC.10.124	Shackle guidance (green)	0990.DG00.010.00	2
OC.10.132	Shackle guidance outlet (green)	0990.DG00.0	



OC.10.122



OC.10.111/112



OC.10.124

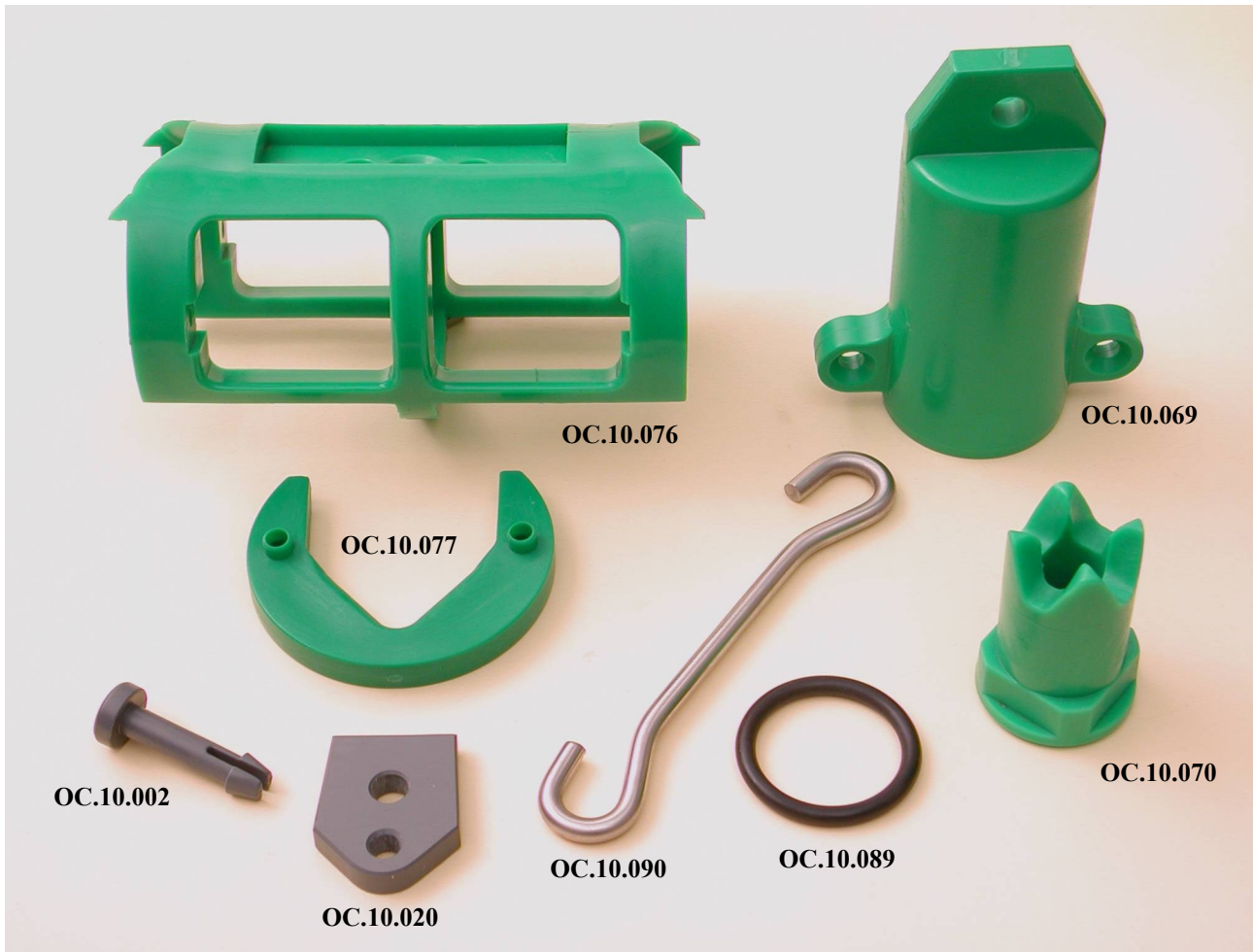
OC.10.132

OC.10.123

Overhead Conveyor compatible with Meyn Turnable cut up shackle



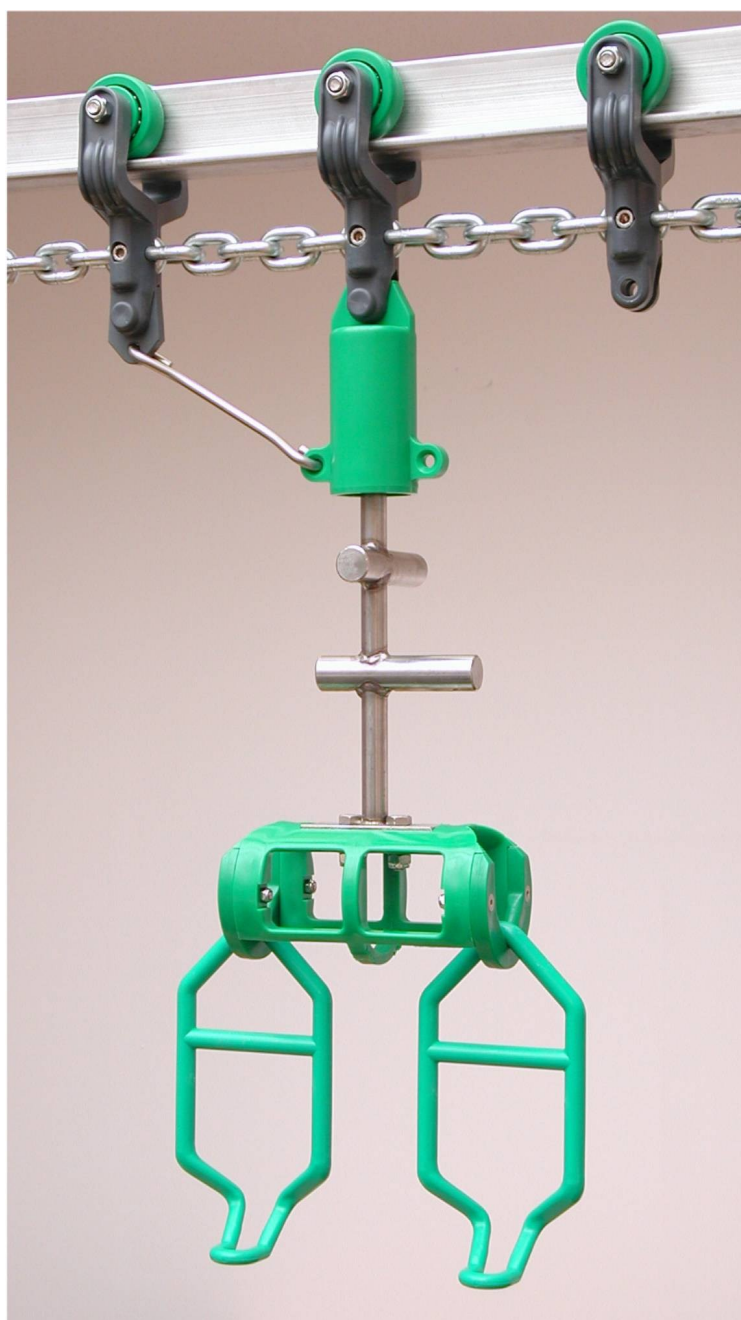
Rodon Int. nr:	Description:	Partnr.OEM:	Pos.nr:
OC.10.002	Pin (shackle onto trolley)	0990.T022.004.00	05
OC.10.020	Plastic connector for weighing line	0990.H038.013.00	02
OC.10.069	Housing cut up shackle green	0990.H049.004.00	01
OC.10.070	Snap – in mechanism	0990.H049.003.00	03
OC.10.076	Shackleholder cage green	0990.H040.018.00	08
OC.10.077	End cap for cage green	0990.H040.019.00	09
OC.10.089	O-Ring	89.3500.300.0004	04
OC.10.090	Pull rod d=6 L=145	0990.H040.015.00	03



Overhead Conveyor compatible with Meyn Turnable cut up shackle complete



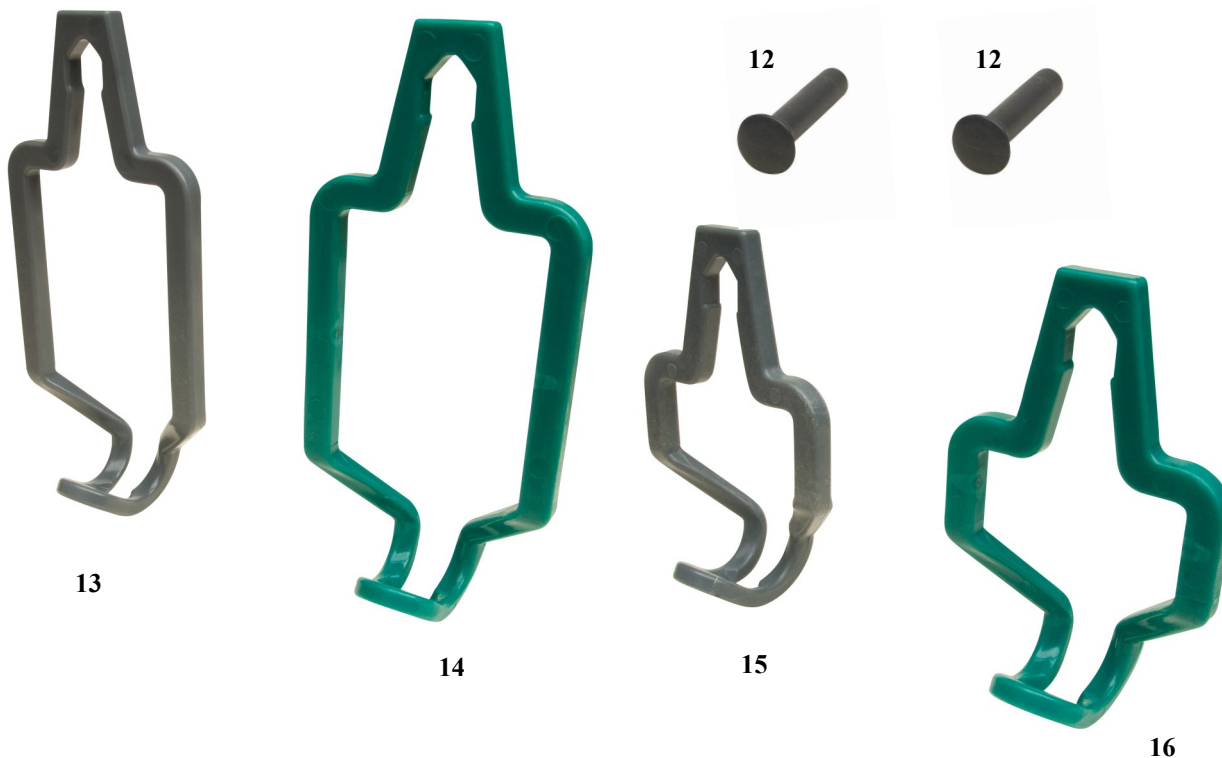
Rodon Int. nr:	Description:	Partnr.OEM:	Pos.nr:
OC.10.536	Cut up shackle complete	0990.H040.000.34	
OC.10.537	Cut up shackle complete (mirrored)	0990.H040.000.36	
OC.10.097	S.S bracket with 2 bars	0990.H040.000.19	05
OC.10.097A	S.S. bracket with 2 bars (mirrored)		
OC.10.098	Pin (inside green housing)	0990.H057.004.00	02



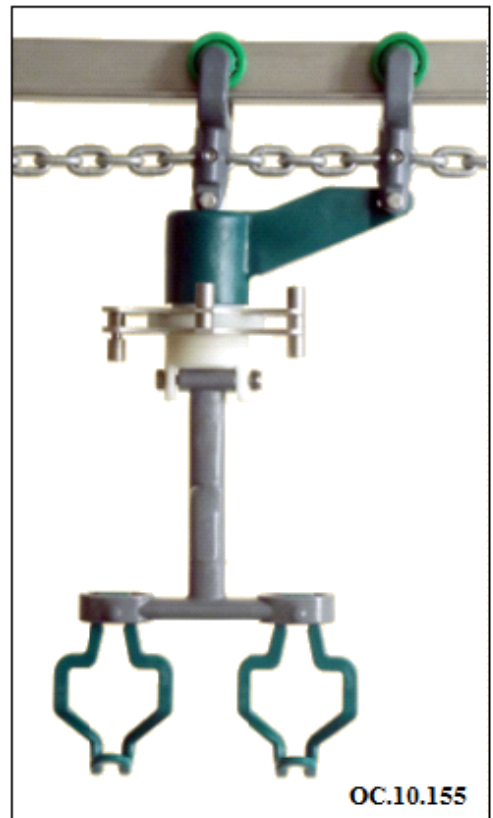
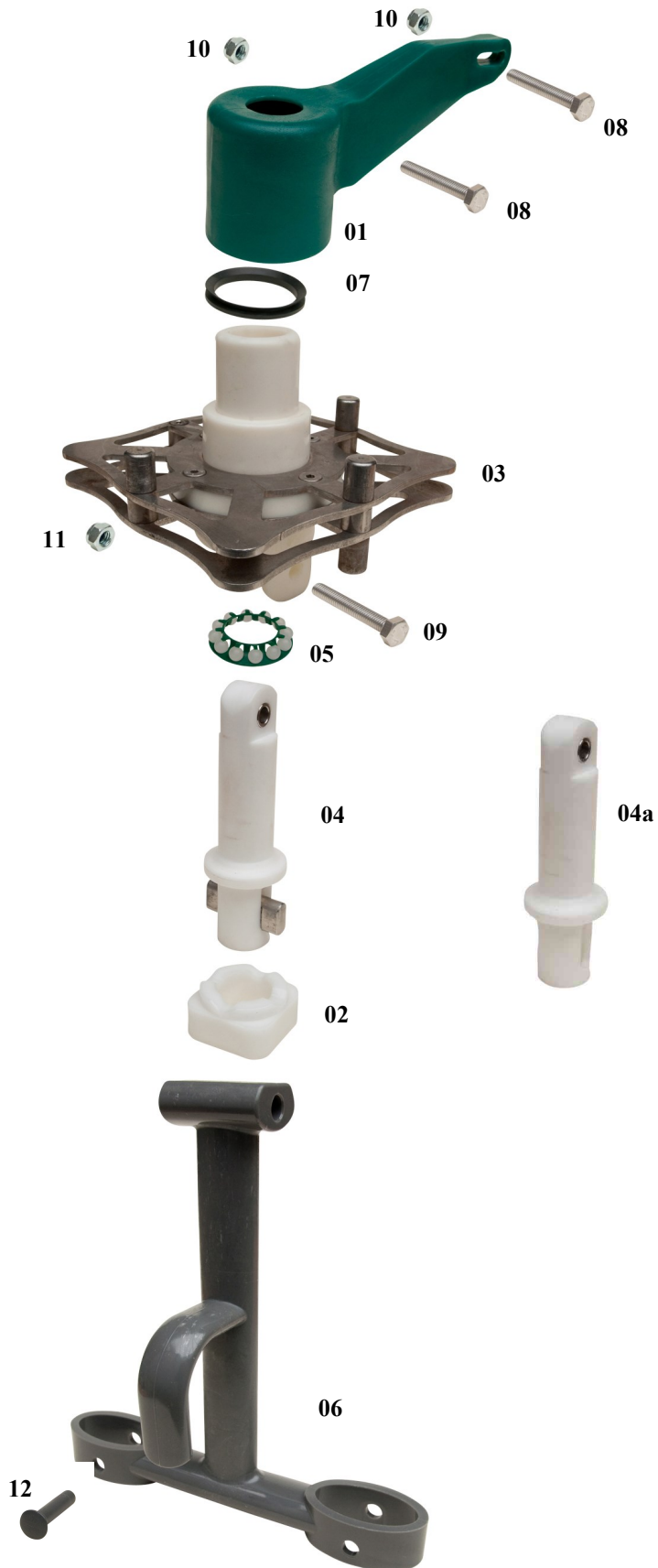
Overhead Conveyor compatible with Meyn Physics weighing shackle complete



Rodon Int. nr:	Description:	Partnr.OEM:	Pos. nr
OC.10.145	Pull cap green	0871.0003.001.01	01
1001.0933.0850	Tapbolt S.S.	89.0684.015.0014	08
1001.0985.0008	Locknut M8	89.0914.015.0011	10
1003.0000.VS30	V-ring	89.3536.300.0002	07
OC.10.153	Rotary disc Physics shackle	0871.0003.000.02	03
OC.10.153A	Synthetic inside for rotary disc	0871.0003.001.02	
1001.0933.1080	Tapbolt	89.0865.015.0011	09
1001.0985.0010	Locknut M10	89.0914.015.0002	11
OC.10.144	Axial ball bearing	0871.0003.000.10	05
OC.10.143	Springhousing assembly	0871.0003.000.03	04
OC.10.139	Springhousing only	0871.0003.000.86	04a (Rod. nr)
OC.10.138	Gland for physic shackle	0871.0003.002.01	02
OC.10.154	DLHS Shackle holder	0871.0005.006.01	06
OC.10.155	Physics shackle complete (shackles not included)	0871.0003.000.01	
OC.10.152	Design pin Physics shackle	0990.H040.005.80	12 (Rod. nr)
OC.10.146	Physics weighing shackle short, 13mm grey	0990.H040.001.86	15 (Rod. nr)
OC.10.147	Physics weighing shackle short, 13mm green	0990.H040.001.80	16 (Rod. nr)
OC.10.148	Physics weighing shackle long, 13mm grey	0990.H040.001.88	13 (Rod. nr.)
OC.10.149	Physics weighing shackle long, 13mm green	0990.H040.001.83	14 (Rod. nr)



Overhead Conveyor compatible with Meyn Physics shackle complete



Overhead Conveyor compatible with Meyn Physics weighing shackle complete red version



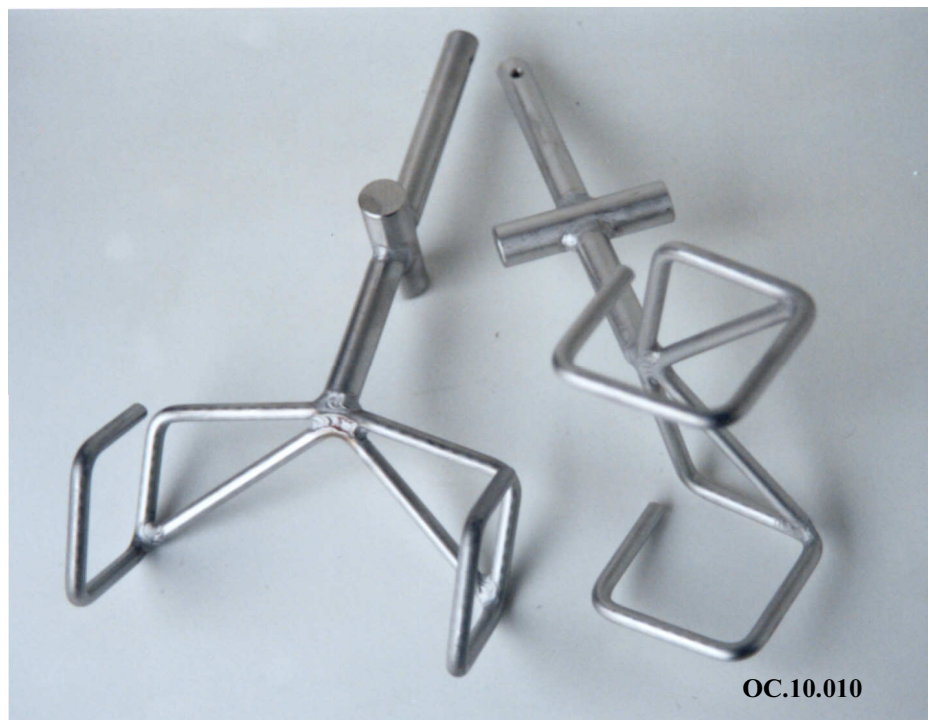
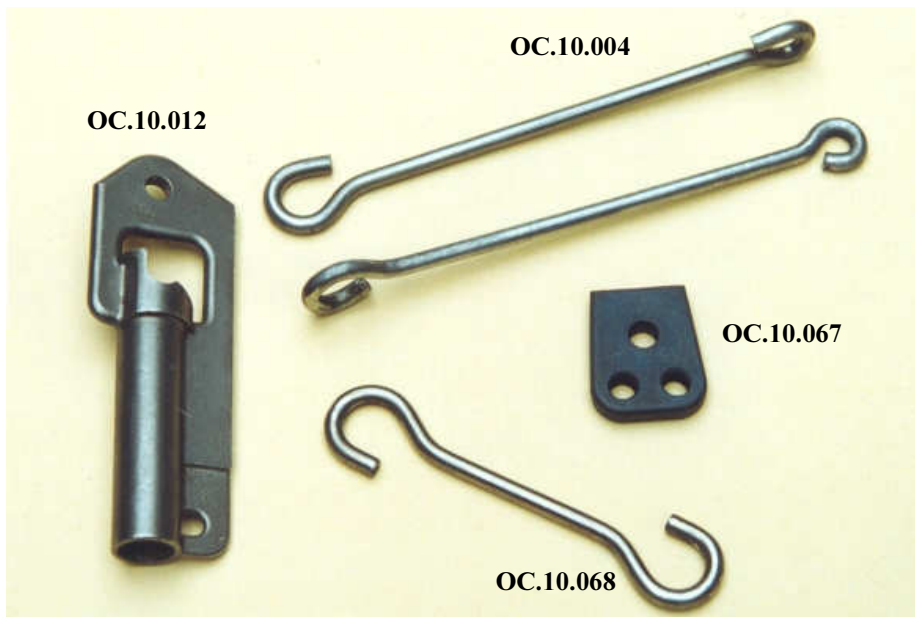
Rodon Int. nr:	Description:	Partnr.OEM:	Pos. nr:
OC.10.255	Physics weighing shackle complete red version	0871.0003.001.01	



Overhead Conveyor compatible with Meyn Reconditioned Parts



Rodon Int. nr:	Description:	Partnr.OEM:	Pos.nr:
OC.10.004	Pull rod weighing line	0990.H038.011.00 – 202.11.004	
OC.10.010	Turnable cut-up shackle (with 1 rod)	0990.H038.000.07	170
OC.10.011	Turnable cut-up shackle (with 2 rods)	0990.H038.000.09	170
OC.10.012	Pivotable part	0990.GT05.001.00– 202.64.001	170
OC.10.067	Plastic connector 3 holes		
OC.10.068	Pull rod C.t.C.=102mm		

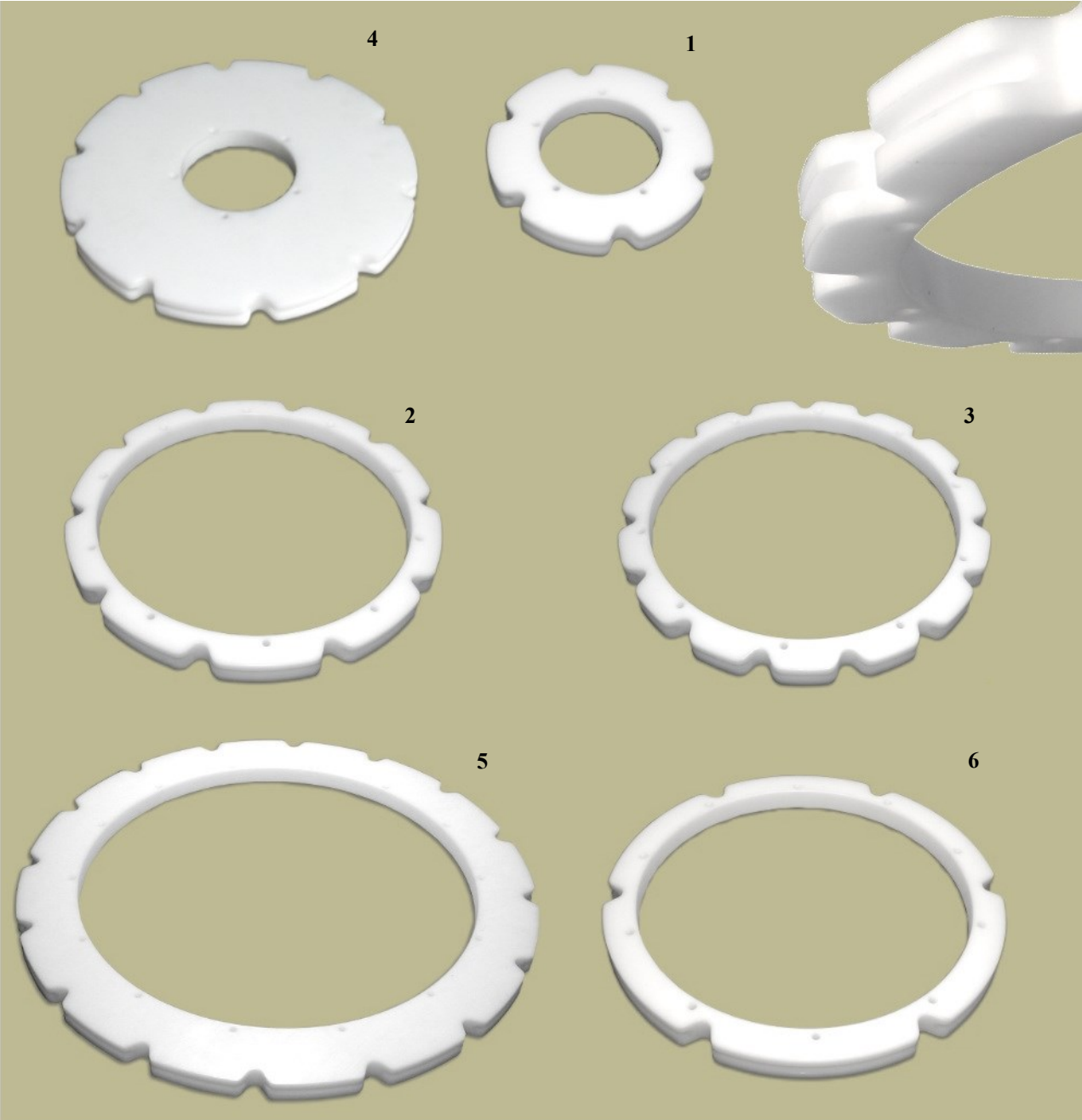


Overhead Conveyor compatible with Meyn Drive Rim (idler ring)



Rodon Int. nr:	Description:	Partnr.OEM:	Pos.nr:
OC.10.003	D=485 10x6" Bore 400	0990.NR00.006.00 – 990.0928	9
OC.10.014	D=291 6x6" Bore 155	0990.NR00.003.00 – 990.0935	9
OC.10.014P	D=291 6x6" Bore 155 PA6G	0990.NR00.003.00 - 990.0935	
OC.10.035	D=291 9x4" Bore 155	0990.NR00.002.00 – 990.0296	
OC.10.035N	D=291 9x4" Bore 90		9
OC.10.035P	D=291 9x4" Bore 90	0990.NR00.002.00	9
OC.10.036	D=485 15x4" Bore 400	0990.NR03.019.00– 990.0900	9
OC.10.052	D=485 10x6" Bore 155	0990.NR00.006.00	
OC.10.052K	D=485 10x6" Bore 155 w/o groove		
OC.10.052S	D=485 10x6" Bore 155 40 thick		
OC.10.066	D=388 8x6" bore 85mm	0990.NR03.011.00	
OC.10.084	D=768 16x6" Bore 590	0990.NR00.018.00 – 990.1125	55
OC.10.085	D=485 6x10" Bore 400	0990.NR00.008.00 – 990.11	18
OC.10.096	D=485 6x10" bore 155mm		
OC.10.099	D=679 14x6" Bore 155	0990.NR00.028.00	
OC.10.099B	D=679 14x6" bore 400mm	0990.NR00.028.00	
OC.10.102	D=485 15x4" Bore 155	0990.NR03.019.00	
OC.10.102K	D=485 15x4" Bore 155 w/o groove		
OC.10.102N	D=485 15x4" Bore 90	0990.NR03.019.00	
OC.10.103	D=388 8x6" Bore 155	0990.NR03.011.00	
OC.10.103A	D=388 8x6" Bore 60	0990.NR03.011.00	
OC.10.105	D=679 21x4" Bore 155	0990.NR00.012.00	
OC.10.108	D=646 8x10" Bore 400	0990.NR00.060.00	
OC.10.118	D=776 16x6" Corner wheels	0990.NR00.028.00	8
OC.10.119	D=388 2x4" Bore 155mm	0990.NR03.	
OC.10.119N	D=388 2x4" Bore 90mm	0990.NR03.	
OC.10.126	D=776 16x6" Bore 680mm	0990.NR00.018.00 - 990.1125	55

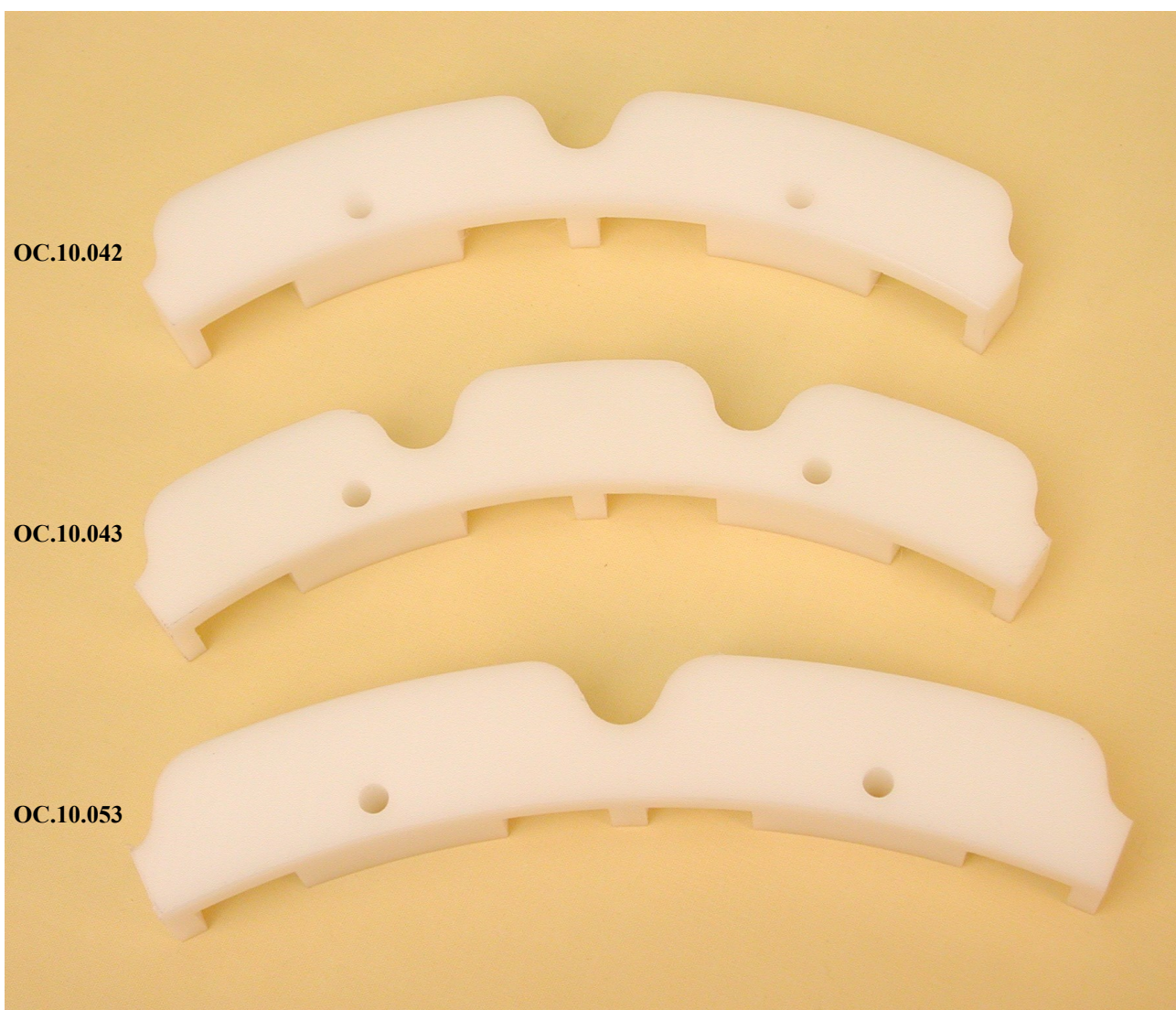
Overhead Conveyor compatible with Meyn
Drive Rim (idler ring)



Overhead Conveyor compatible with Meyn Idlerwheel / Drivewheel segment



Rodon Int. nr:	Description:	Partnr.OEM:	Pos.nr:
OC.10.042	Segment 6"	0990.NR00.007.00 – 990.1120	4/6/18
OC.10.043	Segment 4"/8"	0990.NR00.005.00 – 990.1121	4/6/18
OC.10.053	Segment 14x6"	0990.NR00.013.00 – 990.0853	
OC.10.110	Segment 28x6" Maestro	0990.NR00.057.00	

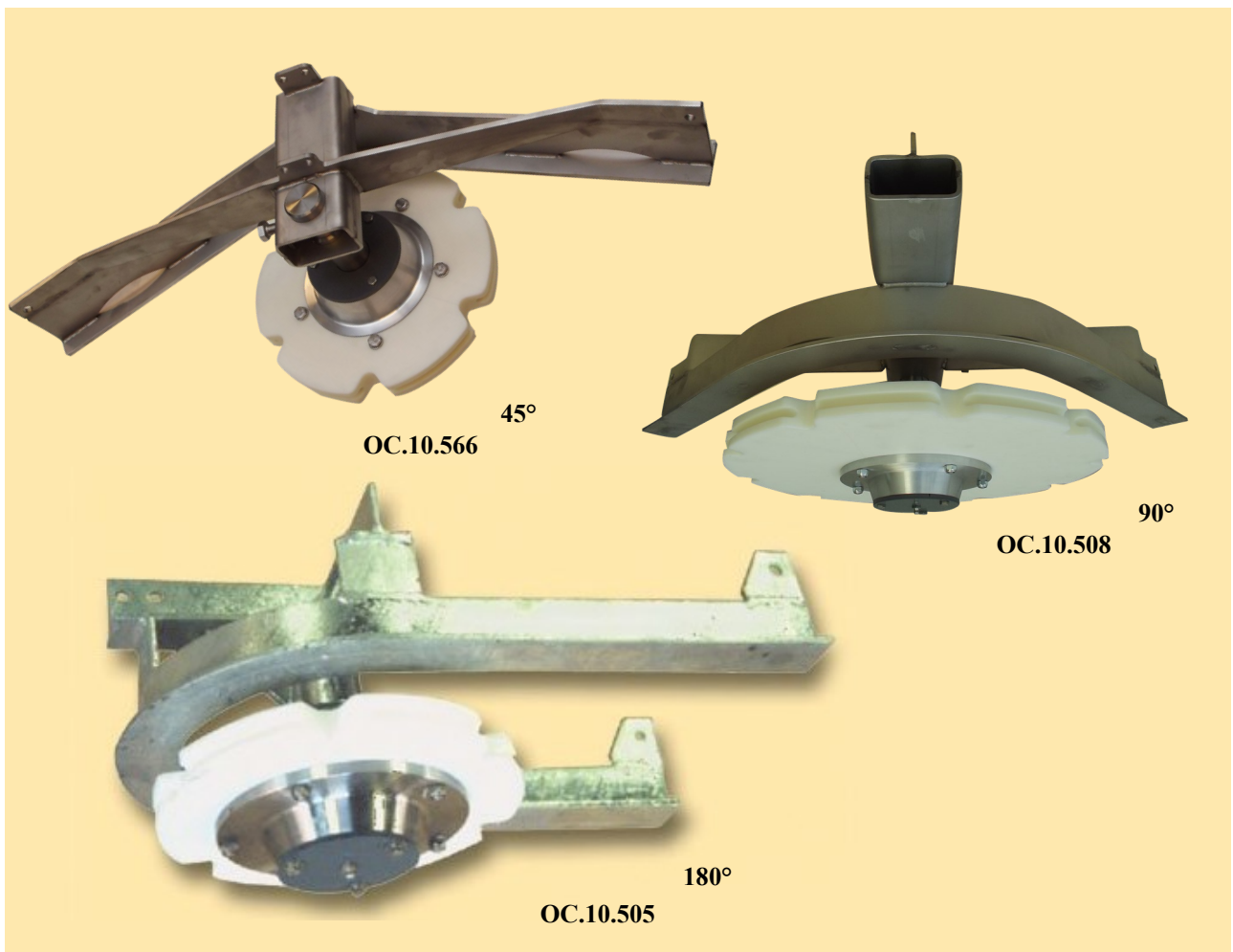


Overhead Conveyor compatible with Meyn Idler units and T-track



Rodon Int. nr:	Description:	Partnr.OEM:	Pos.nr:
OC.10.566	Idler unit complete D=291mm 6x6" 45°		
OC.10.511	Idler unit complete D=291mm 6x6" 90°	0990.T010.000.02	
OC.10.556	Idler unit complete D=388mm 8x6" 90°	0990.T010.000.24	
OC.10.508	Idler unit complete D=485mm 10x6" 90°	0990.T010.000.04	
OC.10.508R	Idler unit complete D=485mm 10x6" 90° S.S.	0990.T010.000.04	
OC.10.538	Idler unit complete D=679mm 14x6" 90°	0990.T010.000.26	
OC.10.505	Idler unit complete D=291mm 6x6" 180°	0990.T012.000.03	
OC.10.505R	Idler unit complete D=291mm 6x6" 180°S.S.		
OC.10.539	Idler unit complete D=388mm 8x6" 180°	0990.T012.000.16	
OC.10.507	Idler unit complete D=485mm 10x6" 180°	0990.T012.000.06	
OC.10.512	Idler unit complete D=679mm 14x6" 180°	0990.T012.000.10	

Idler units are also available in stainless steel version and 4"/8" pitch

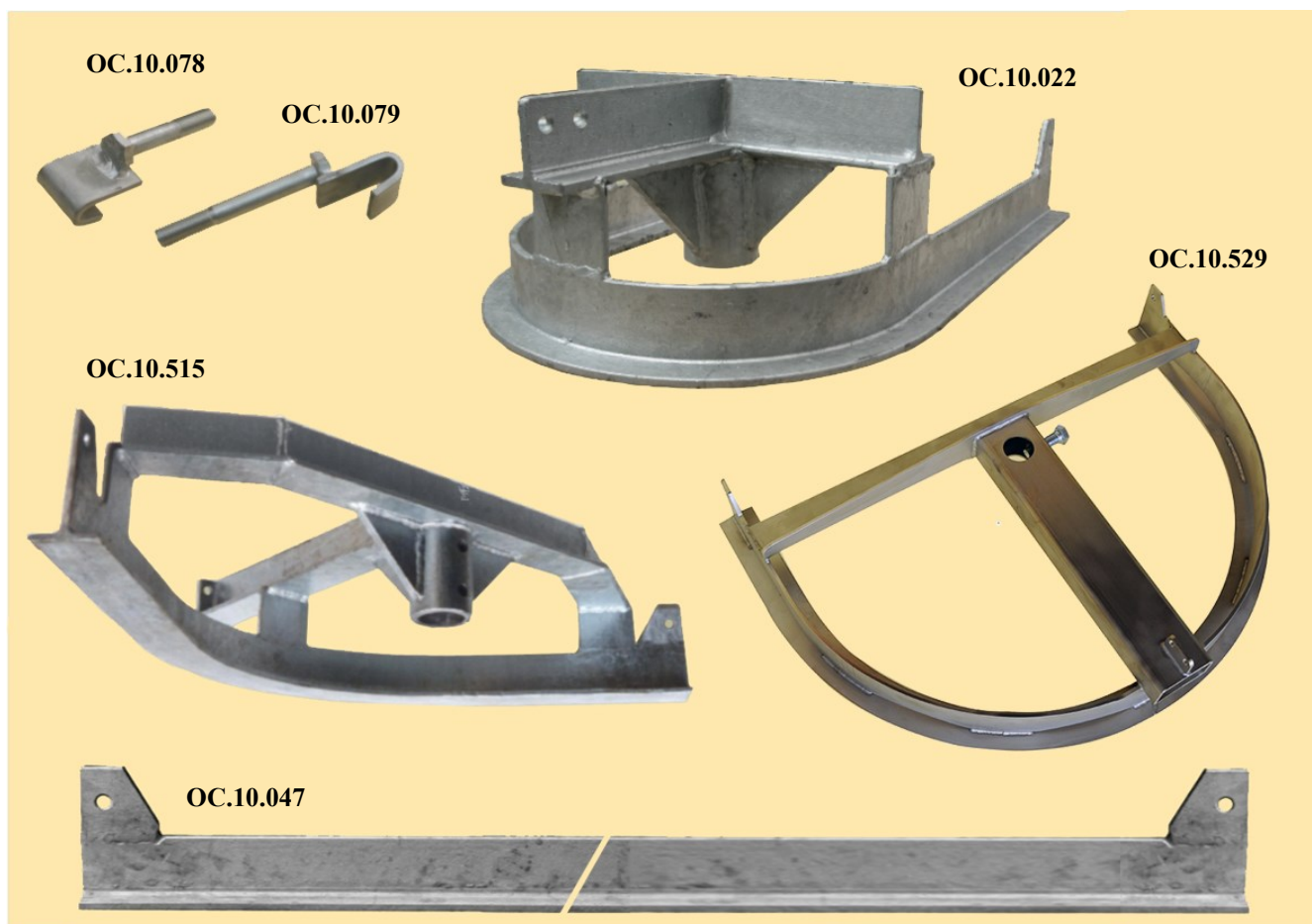


Overhead Conveyor compatible with Meyn T-track bend/straight



Rodon Int. nr:	Description:	Partnr.OEM:	Pos.nr:
OC.10.071	T-track bend cornerwheel D=291mm 90°	0990.T004.000.07	
OC.10.131.90	T-track bend cornerwheel D=388mm 90°	0990.T004.000.28	
OC.10.515	T-track bend cornerwheel D=485mm 90°	0990.T004.000.08	(2)
OC.10/679.90	T-track bend cornerwheel D=679mm 90°	0990.T004.000.70	
OC.10.022	T-track bend cornerwheel D=291mm 180°	0990.T004.000.02 – 120.02.002	(Rodon pos.1)
OC.10.131	T-track bend cornerwheel D=388mm 180°	0990.T004.000.03	
OC.10.529	T-track bend cornerwheel D=485mm 180°		(6)
OC.10.679.180	T-track bend cornerwheel D=679mm 180°	0990.T004.000.06	
OC.10.047	T-track 50x50x6 galvanized,incl lugs		(3)
OC.10.078	Hook-up bolt M10x60 S.S.	0990.T059.000.01 – 0990.T059.000.11	(4)
OC.10.079	Hook-up bolt M10x80 S.S.	0990.T059.000.03 – 0990.T059.000.13	(5)

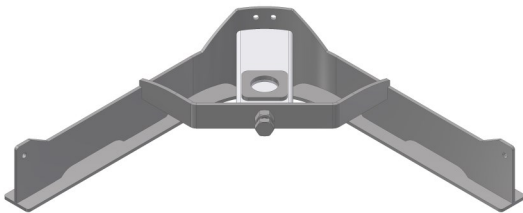
T-track bend also available in stainless steel version



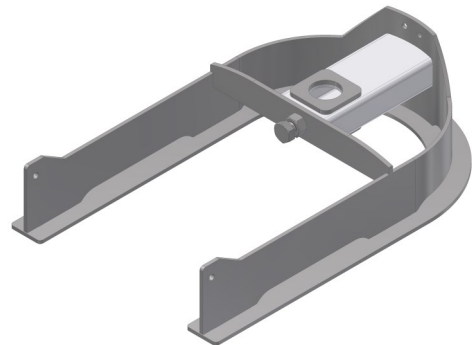
Overhead Conveyor compatible with Meyn Stainless Steel T track bends



Rodon Int. nr:	Description:	Partnr.OEM:	Pos. nr:
OC.10.291.045	S.S. T-track bend 45° D=291mm excl. wheel	0990.T004.A00.45	
OC.10.291.090	S.S. T-track bend 90° D=291mm excl. wheel	0990.T004.000.35	
OC.10.291.180	S.S. T-track bend 180° D=291mm excl. wheel	0990.T004.000.17	
OC.10.388.045	S.S. T-track bend 45° D=388mm excl. wheel	0990.T004.000.49	
OC.10.388.090	S.S. T-track bend 90° D=388mm excl. wheel	0990.T004.A00.30	
OC.10.388.180	S.S. T-track bend 180° D=388mm excl. wheel	0990.T004.000.69	
OC.10.485.045	S.S. T-track bend 45° D=485mm excl. wheel	0990.T004.000.52	
OC.10.485.090	S.S. T-track bend 90° D=485mm excl. wheel	0990.T004.000.19	
OC.10.485.180	S.S. T-track bend 180° D=485mm excl. wheel	0990.T004.000.20	
OC.10.679.090	S.S. T-track bend 90° D=679mm excl. wheel	0990.T004.000.92	
OC.10.679.180	S.S. T-track bend 180° D=679mm excl. wheel	0990.T004.000.27	



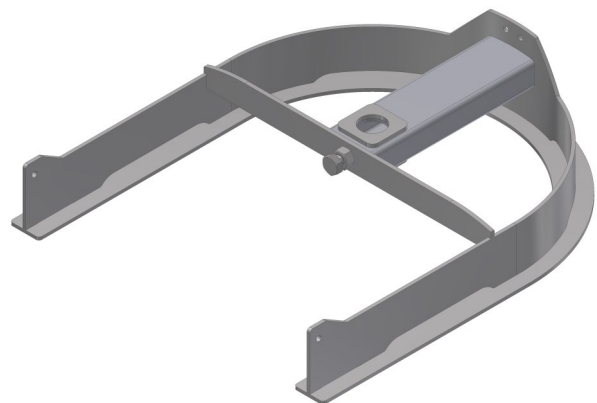
OC.10.291.090



OC.10.291.180



OC.10.485.090



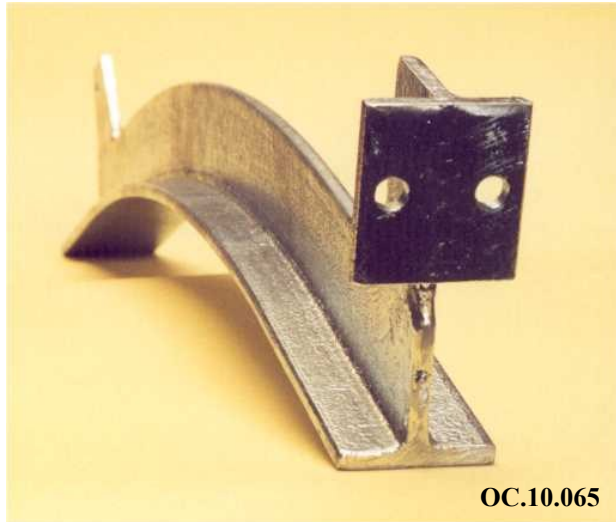
OC.10.485.180

Overhead Conveyor compatible with Meyn Up & Down



Rodon Int. nr:	Description:	Partnr.OEM:	Pos.nr:
OC.10.517	Up & Down 30 degrees	0990.T100.000.22-201.70.000	
OC.10.064	Up &Down "feed" 30 degr.	0990.T016.000.26	01
OC.10.065	Up &Down "end" 30 degr.	0990.T016.000.24	02

Up & Down also available in stainless steel version

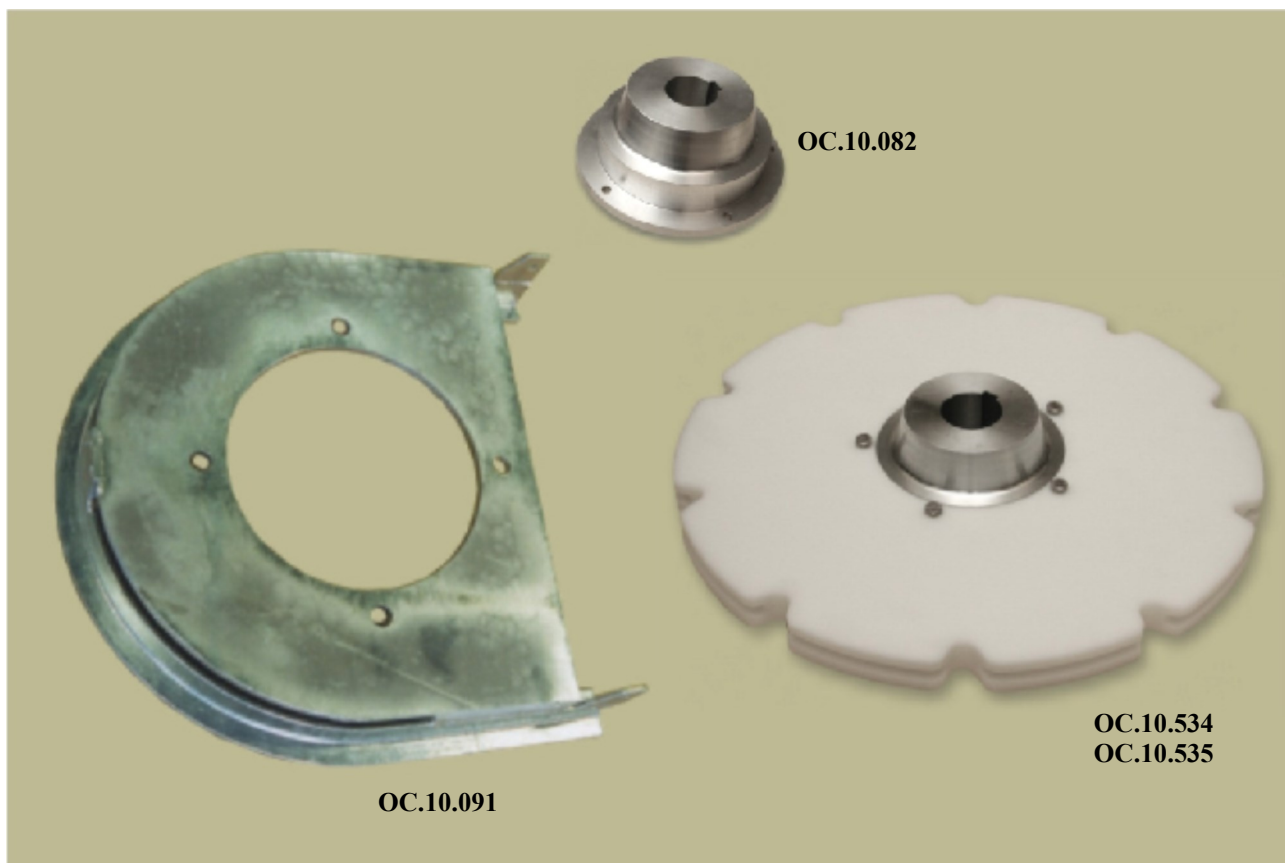


Overhead Conveyor compatible with Meyn T-track bend/straight



Rodon Int. nr:	Description:	Partnr.OEM:	Pos.nr:
OC.10.091	Baseplate with T-track for drive unit D=388mm	0990.T005.000.01	
OC.10.034	Baseplate D=485mm version 180°	0990.T005.000.02	
OC.10.092	Baseplate D=680mm version 180°	0990.T005.000.04	
OC.10.130R	Baseplate for drive unit D=485 90° L=500	0990.T005.000.06	
OC.10.082	Alu. Hub for drive wheel D=45mm		
OC.10.083	Alu. Hub for drive wheel D=50mm		
OC.10.534	Alu. drive wheel 10x6" D=485 complete with rim - bore 45mm (other sizes available)		26/39
OC.10.535	Alu. drive wheel 10x6" D=485 complete with rim - bore 50mm (other sizes available)		26/39

Also available in stainless steel version

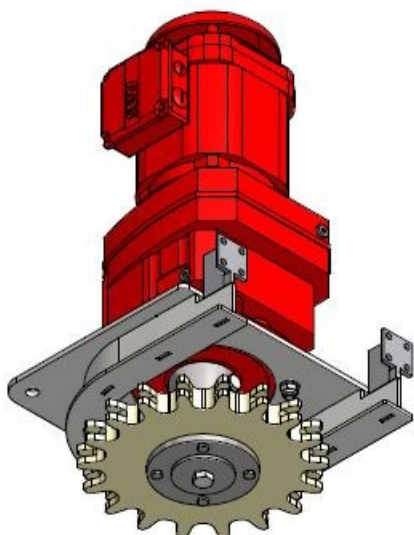


Overhead Conveyor Lines

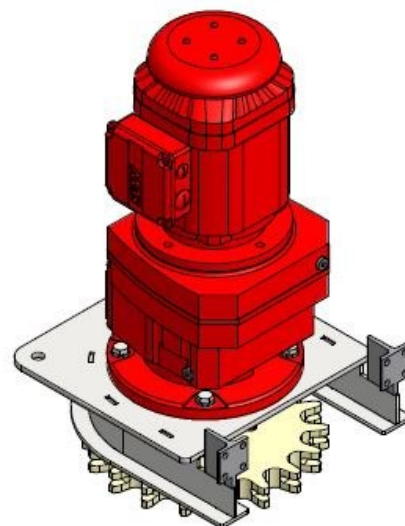
Drive Unit



Rodon Int. nr:	Description:	Partnr.OEM:	Pos.nr:
OC.10.519.291	Drive unit D=291 mm. 180° 1,1 kW 22 rpm.		
OC.10.519.485	Drive unit D=485 mm. 180° 1,1 kW 11 rpm.		
OC.10.519.679	Drive unit D=679 mm. 180° 1,1 kW 11 rpm.		



OC.10.519.291



OC.10.519.485

More versions available in different sizes and capacity

Overhead Conveyor compatible with Meyn Idlerwheels



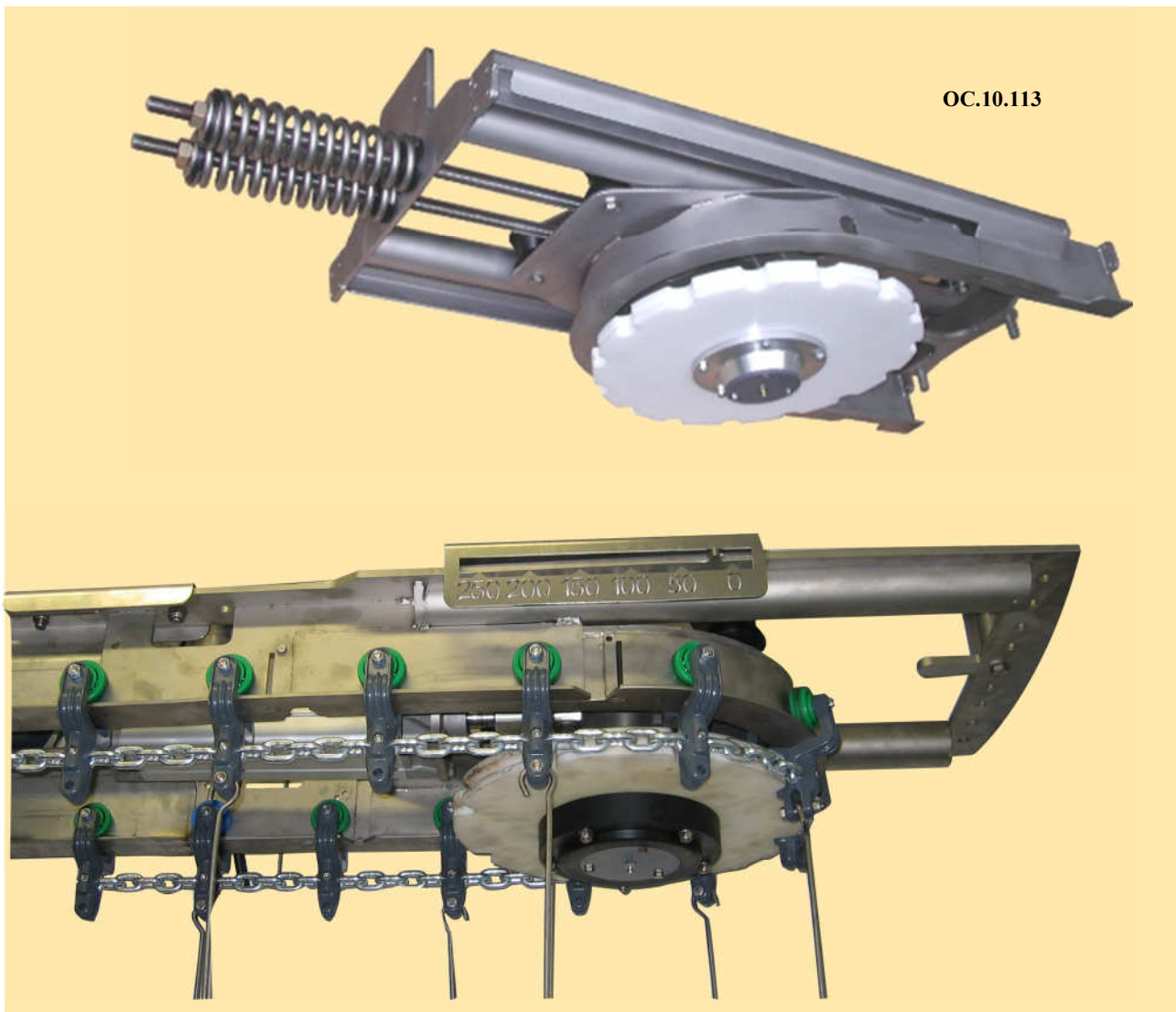
Rodon Int. nr:	Description:	Partnr.OEM:	Pos.nr:
OC.10.506	Idlerwheel complete, D=291mm 6x6"	0990.W005.001.00 – W.003.000.07	
OC.10.506R	Idlerwheel complete, D=291mm 6x6" S.S.		
OC.10.517	Idlerwheel complete, D=291mm 6x6"		
OC.10.541	Idlerwheel complete, D=388mm 6x8"		
OC.10.545	Idlerwheel complete, D=388mm 8x6"		
OC.10.527	Idlerwheel complete, D=485mm 10x6"	0990.W005.003.00 – W.003.000.08	
OC.10.527R	Idlerwheel complete, D=485mm 10x6" S.S.		
OC.10.543	Idlerwheel complete, D=485mm 6x10"		
OC.10.544	Idlerwheel complete, D=485mm 15x4"		
OC.10.542	Idlerwheel complete, D=679mm 14x6"	0990.W005.009.00 – W.003.000.10	
OC.10.527A	Idlerwheel without rim, aluminium		
OC.10.527K	Idlerwheel without rim, synthetic		
OC.10.026M	Idlerwheel shaft D=40	0990.W001.001.00 – 120.00.004	02/16
OC.10.027	Idlerwheel bearing housing	0990.A208.005.00 – 990.2626	6
OC.10.028	Idlerwheel upper cover plate	0990.W001.002.00 – 120.00.023	17
OC.10.029	Idlerwheel lower cover plate	0990.W001.003.00 – 120.00.022	24
1002.0000.0010	Ball bearing	89.0680.065.0006	



Overhead Conveyor compatible with Meyn Tensioner



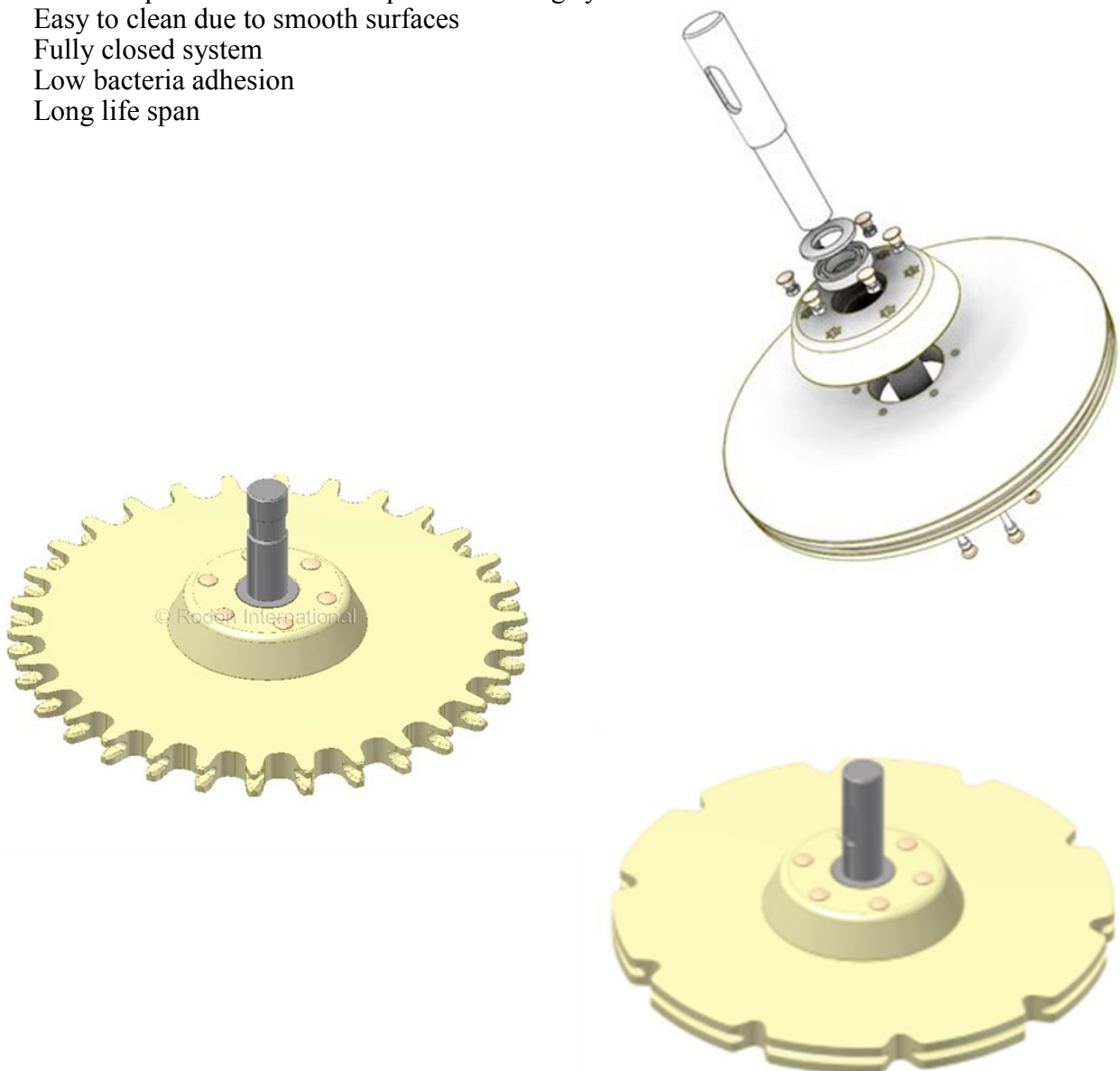
Rodon Int. nr:	Description:	Partnr.OEM:	Pos.nr:
OC.10.113	Tensioner D=485mm 2 springs S.S.	20.220.3503	
OC.10.561	Tensioner D=388mm 10x6" 3 springs without wheel galvanised		
OC.10.561R	Tensioner D=388mm 8x6" S.S.		
OC.10.553	Tensioner D=485mm 15x4" S.S.		
OC.10.553PR	Tensioner D=485mm 15x4" S.S. pneumatic		
OC.10.555	Tensioner D=485mm 10x6" S.S.	0990.T006.000.01	
OC.10.555PR	Tensioner D=485mm 10x6" S.S. pneumatic		
OC.10.555ST	Tensioner D=485mm 10x6" galvanised	0990.T007.000.11	
OC.10.551	Tensioner D=679mm 21x4" S.S.		
OC.10.513	Tensioner D=679mm 14x6"		



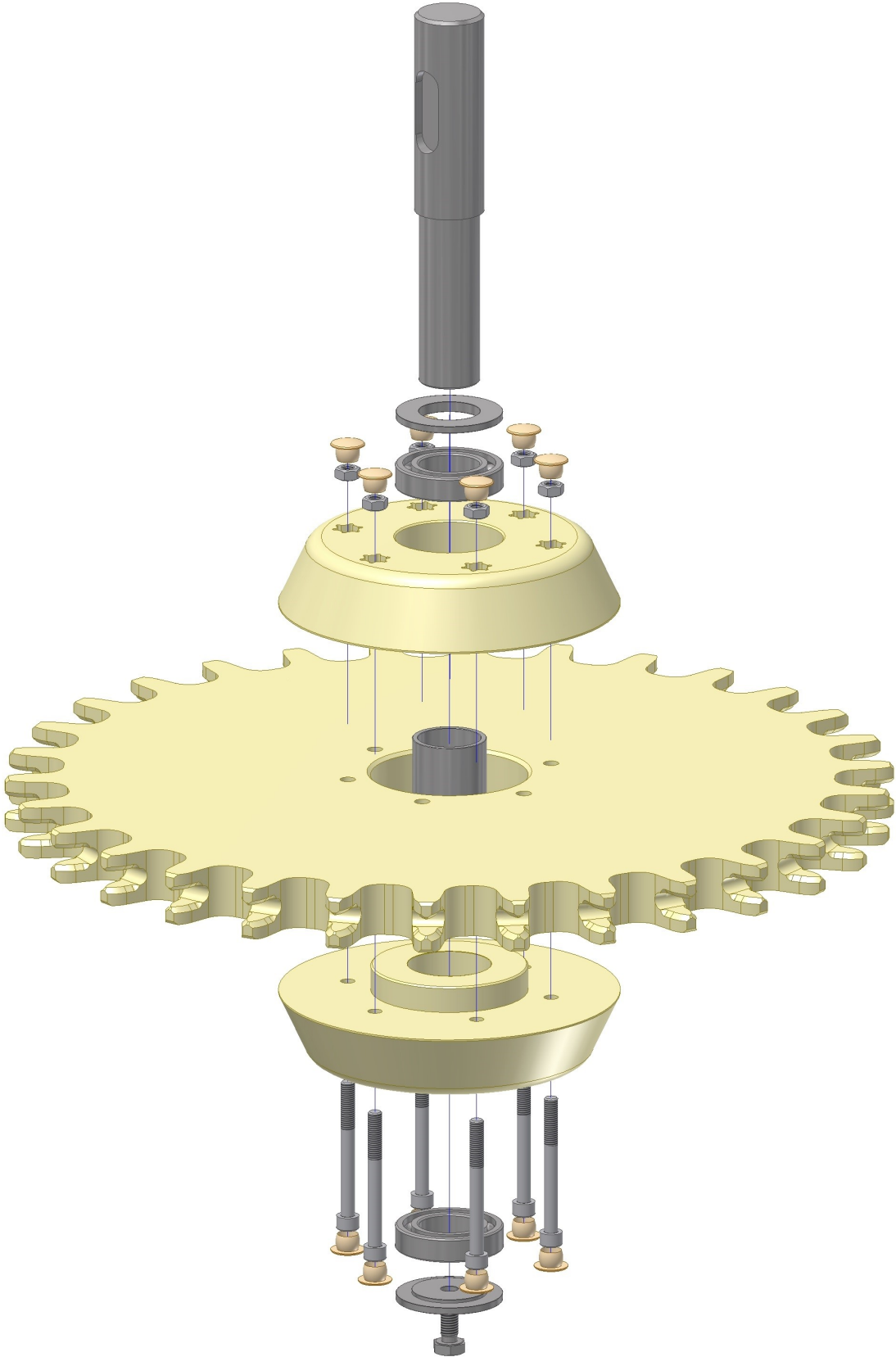
The divisible overhead conveyor corner wheel is made out of corrosion resistance materials and can be executed with many different idler or toothed wheels. This results in a wide range of divisible cornerwheels that can be used in all production areas.

Main advantages :

- Interchangeable with OEM
- Easy to replace
- 100% corrosion resistance due to stainless steel and synthetic materials
- Suitable for all diameters of cornerwheels
- Suitable for all brands of overhead conveyor systems
- Smooth operation due to multiple ball bearing system
- Easy to clean due to smooth surfaces
- Fully closed system
- Low bacteria adhesion
- Long life span



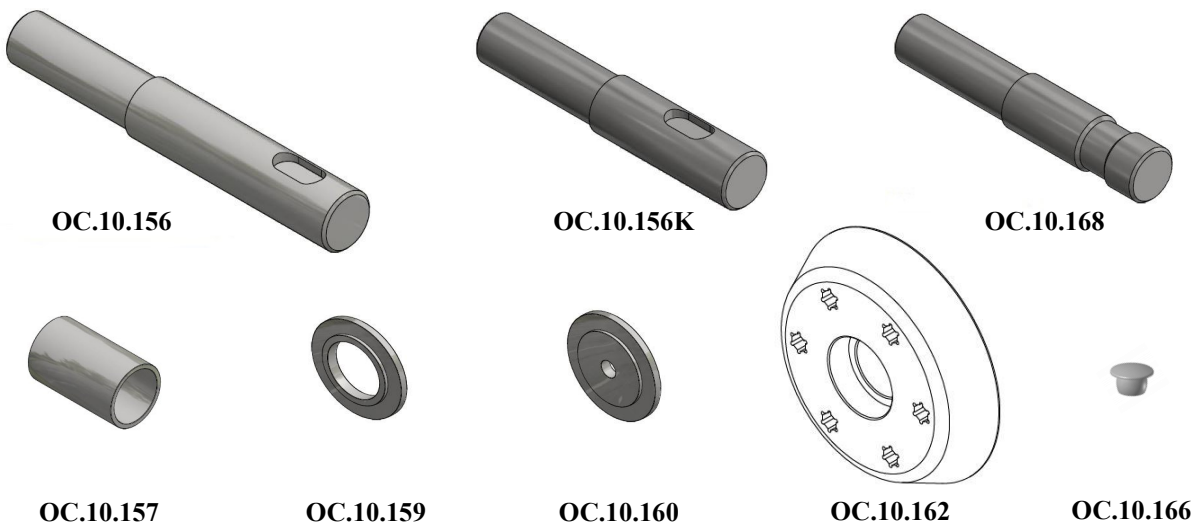
Note: to show the contours of the idler wheel, it is printed in natural colour instead of black.



Overhead conveyor compatible with Meyn Idlerwheels



Rodon Int. nr:	Description:	Partnr.OEM:
OC.10.156	Shaft S.S. L=268, diam. 40mm	
OC.10.156K	Shaft S.S. L=220, diam. 40mm	
OC.10.157	Spacer S.S. L=70, diam.42,4mm	
OC.10.158	Drivewheel 18 tooth	
OC.10.159	Ring S.S. d=35,2 D=60mm. 6mm thick (cover)	
OC.10.160	Ring S.S. d=11 D=60mm. 6mm thick (cover)	
OC.10.161	Drivewheel 30 tooth, bore 53,3mm	
OC.10.162	Bearinghousing section synth. black	
OC.10.166	Skiffy Cap	
OC.10.168	Shaft L=222mm D=40mm	0871.0003
OC.10.572.18	Idlerwheel 18x2" compl.synth. Z=18 D=291mm	0990.W003.A00.71
OC.10.572.18D	Idlerwheel 18x2" compl.synth. Z=18 D=291mm, divisible	
OC.10.572.18DK	Idlerwheel 18x2" compl.synth. Z=18 D=291mm, short shaft, divisible	
OC.10.572.24	Idlerwheel 24x2" compl.synth. Z=24 D=388mm	0990.W003.A00.69
OC.10.572.24D	Idlerwheel 24x2" compl.synth. Z=24 D=388mm, divisible	
OC.10.572.24DK	Idlerwheel 24x2" compl.synth. Z=24 D=388mm, short shaft, divisible	
OC.10.572.30	Idlerwheel 30x2" compl.synth. Z=30 D=485mm	0990.W003.A00.73
OC.10.572.30D	Idlerwheel 30x2" compl.synth. Z=30 D=485mm, divisible	0990.W003.A00.73
OC.10.572.30DK	Idlerwheel 30x2" compl.synth. Z=30 D=485mm, short shaft, divisible	
OC.10.572.42D	Idlerwheel 42x2" compl.synth. Z=42 D=679mm, divisible	
OC.10.572.66	Idlerwheel 6x6" compl.synth. D=291mm, divisible	
OC.10.572.86	Idlerwheel 8x6" compl.synth. D=388mm, divisible	
OC.10.572.106DZ	Idlerwheel 10x6" compl.synth. D=485mm, divisible	
OC.10.572.146DZ	Idlerwheel 14x6" compl.synth. D=679mm, divisible	



Overhead conveyor compatible with Meyn Idlerwheels



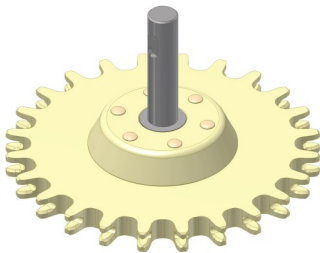
OC.10.572.18



OC.10.572.18D



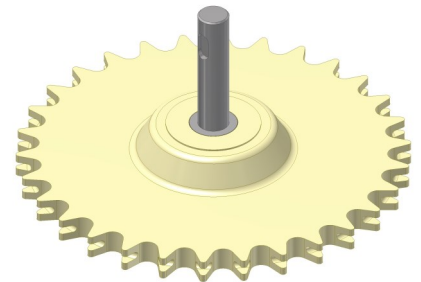
OC.10.572.18DK



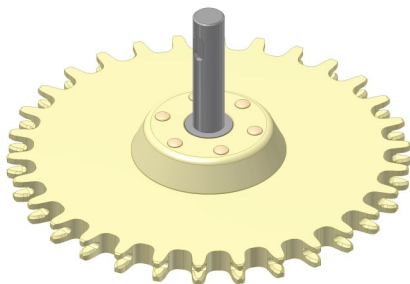
OC.10.572.24D



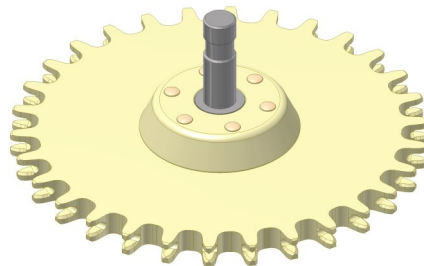
OC.10.572.24DK



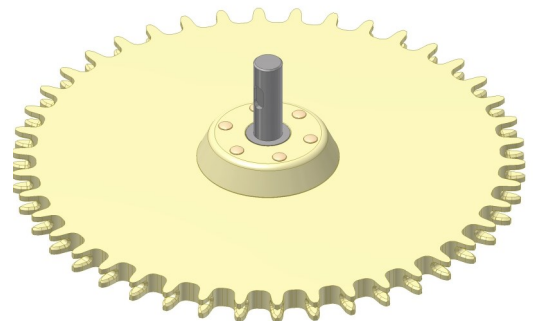
OC.10.572.30



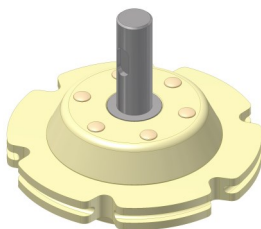
OC.10.572.30D



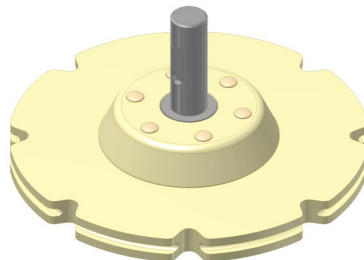
OC.10.572.30DK



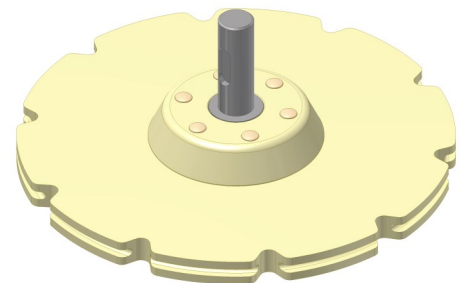
OC.10.572.42D



OC.10.572.66



OC.10.572.86



OC.10.572.106

Note: to show the contours of the idler wheel, it is printed in natural colour instead of black.

Overhead Conveyor compatible with Meyn Trolleys for turkey line



Rodon Int. nr:	Description:	Partnr.OEM:	Pos.nr:
OC.15.001	Trolleybracket synthetic		
OC.15.503	Trolleyhalf with red wheel	0990.T024.001.01	
OC.15.504	Trolleywheel red D=57 mm		
OC.15.520	Overheadconveyor chain with trolleys 6" pitch	0990.T039.000.16	





Overhead conveyor parts compatible with Stork

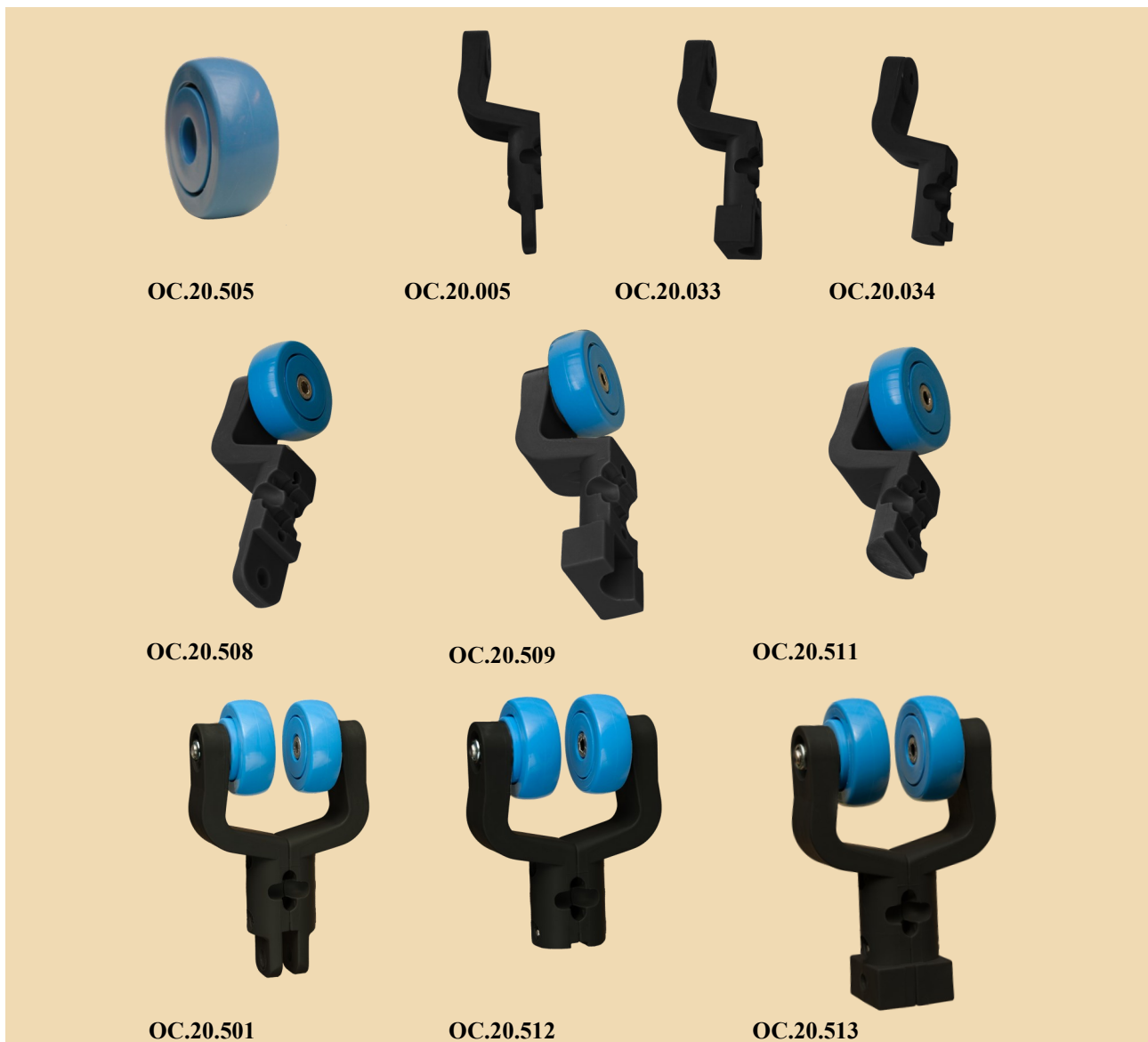


Innova Product Kft. 4251 Hajdúsámson, Száraz u. 7/2.
info@innovaproduct.hu - +36 52 556 666 - www.innovaproduct.hu

Overhead Conveyor compatible with Stork Trolley



Rodon Int. nr:	Description:	Partnr.OEM:	Pos.nr:
OC.20.505	Trolley wheel D=51,3 mm	4R 560 633	202/302/502
OC.20.005	Synth. trolley bracket	2R 591 375	201
OC.20.033	Synth. trolley bracket MX shackle	2M 622 028	
OC.20.034	Synth. trolley bracket shortened	4M 647 153	
OC.20.508	Synth. trolley half with wheel	4M 600 860	
OC.20.509	Synth. trolley half MX	4M 955 526	
OC.20.511	Synth. trolley half shortened	4M 636 407	
OC.20.501	Synth. trolley complete	4M 600 859	100
OC.20.512	Synth. trolley complete, shortened	4M 647 521	
OC.20.513	Synth. trolley complete, MX shackle	4M 636 413	

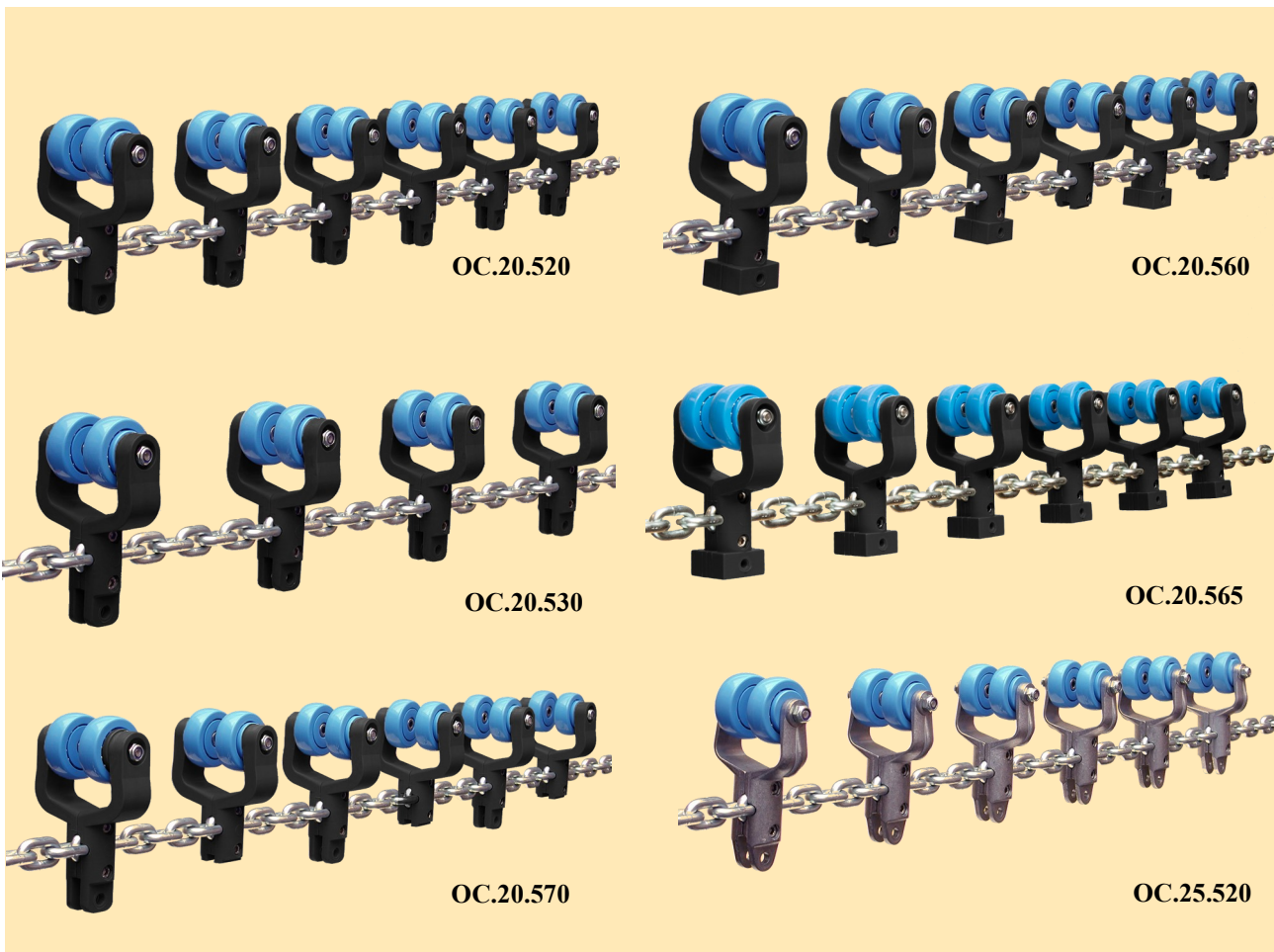


Overhead Conveyor compatible with Stork

Overheadconveyor chain with trolleys



Rodon Int. nr:	Description:	Partnr.OEM:	Material:
OC.20.510	Overheadconveyor chain with trolleys 4" pt		Synthetic
OC.20.520	Overheadconveyor chain with trolleys 6" pt	4M.600.857	Synthetic
OC.20.530	Overheadconveyor chain with trolleys 8" pt	4M.604.734 / 673.259	Synthetic
OC.20.540	Overheadconveyor chain with trolleys 10" pt	4M.608.891	Synthetic
OC.20.550	Overheadconveyor chain with trolleys 12" pt		Synthetic
OC.20.560	Overhead chain complete, pitch 6" MX line	4M.636.411 / 682.460	Synthetic
OC.20.565	Overhead chain complete pitch 6" MX line	4M.393.0029	Synthetic
OC.20.570	Overhead chain complete, pitch 6" Nutech line	4M.627.737	Synthetic
OC.20.580	Overhead chain complete, pitch 6" FHF-XT line	4M.654.586	Synthetic
OC.25.510	Overheadconveyor chain with trolleys 4" pt		Aluminum
OC.25.520	Overheadconveyor chain with trolleys 6" pt	514.096	Aluminum
OC.25.530	Overheadconveyor chain with trolleys 8" pt		Aluminum
OC.25.540	Overheadconveyor chain with trolleys 10" pt		Aluminum
OC.25.550	Overheadconveyor chain with trolleys 12" pt		Aluminum



New generation
Double click trolley compatible with Stork



Food safety starts here
Experience the low bacteria
adhesion on our trolleys

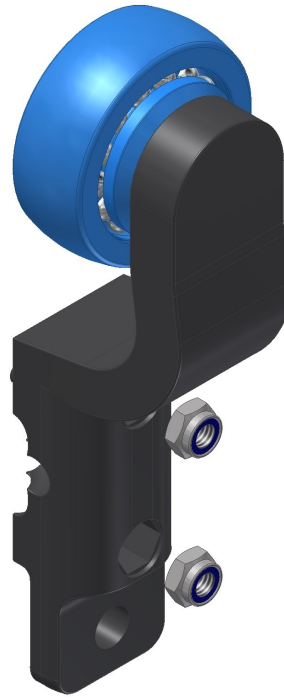
Advantages

Double click trolley compatible with Stork



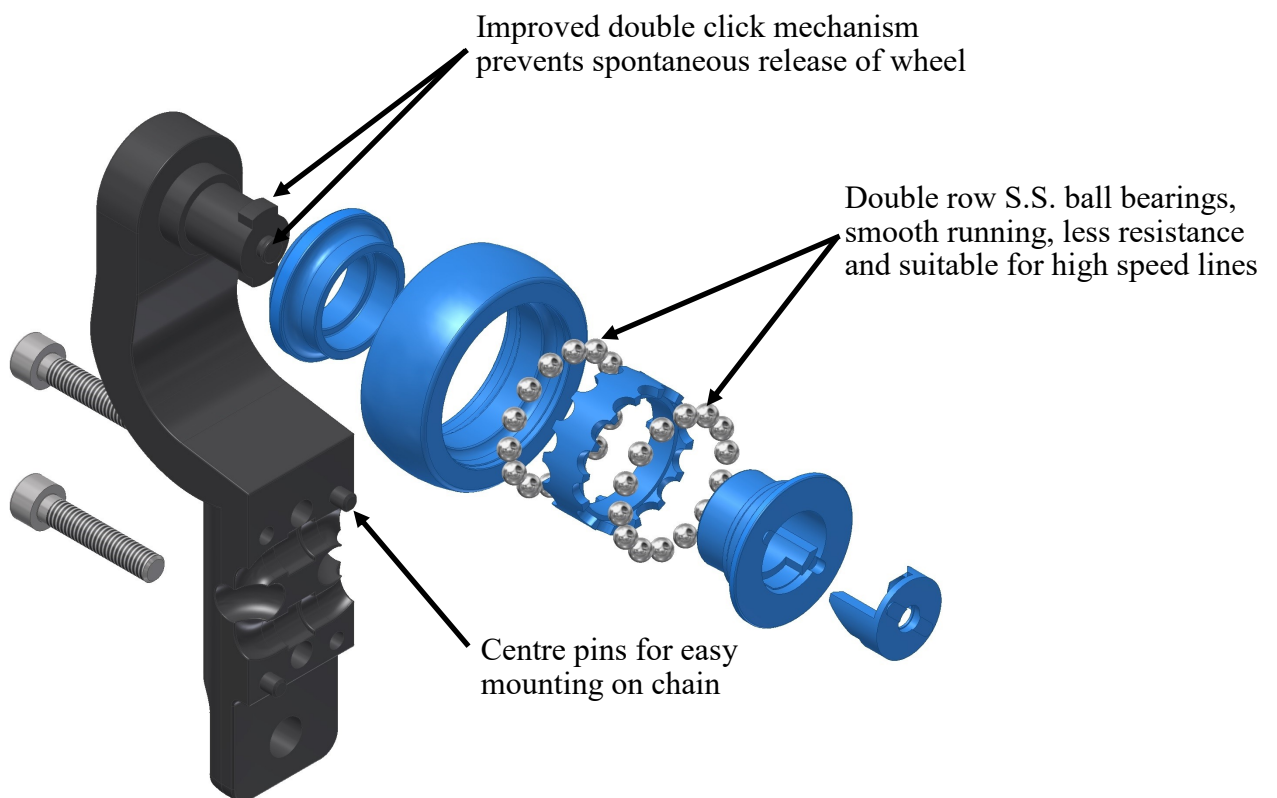
Extreme low bacteria adhesion due to:

- No cavity
- No protruding bolt and nut
- Smooth surface
- No brand names
- No production marks
- No part numbers



Reinforced glassfibre, light weight resulting in:

- Lower power consumption
- Longer lifespan of the chain



Overhead Conveyor compatible with Stork Click trolley



Rodon Int. nr:	Description:	Partnr.OEM:	Pos.nr:
OC.24.505	Trolleywheel D=51,3 mm blue click version		
OC.24.005	Trolley bracket click version		
OC.24.033	Trolley bracket MX click version		
OC.24.034	Trolley bracket shortened click version		
OC.24.508	Trolleyhalf with wheel blue click version		
OC.24.509	Trolleyhalf with wheel blue MX click version		
OC.24.511	Trolleyhalf with wheel blue shortened click version		
OC.24.501	Trolley complete click version		
OC.24.513	Trolley complete MX,click version		
OC.24.512	Trolley complete shortened click version		

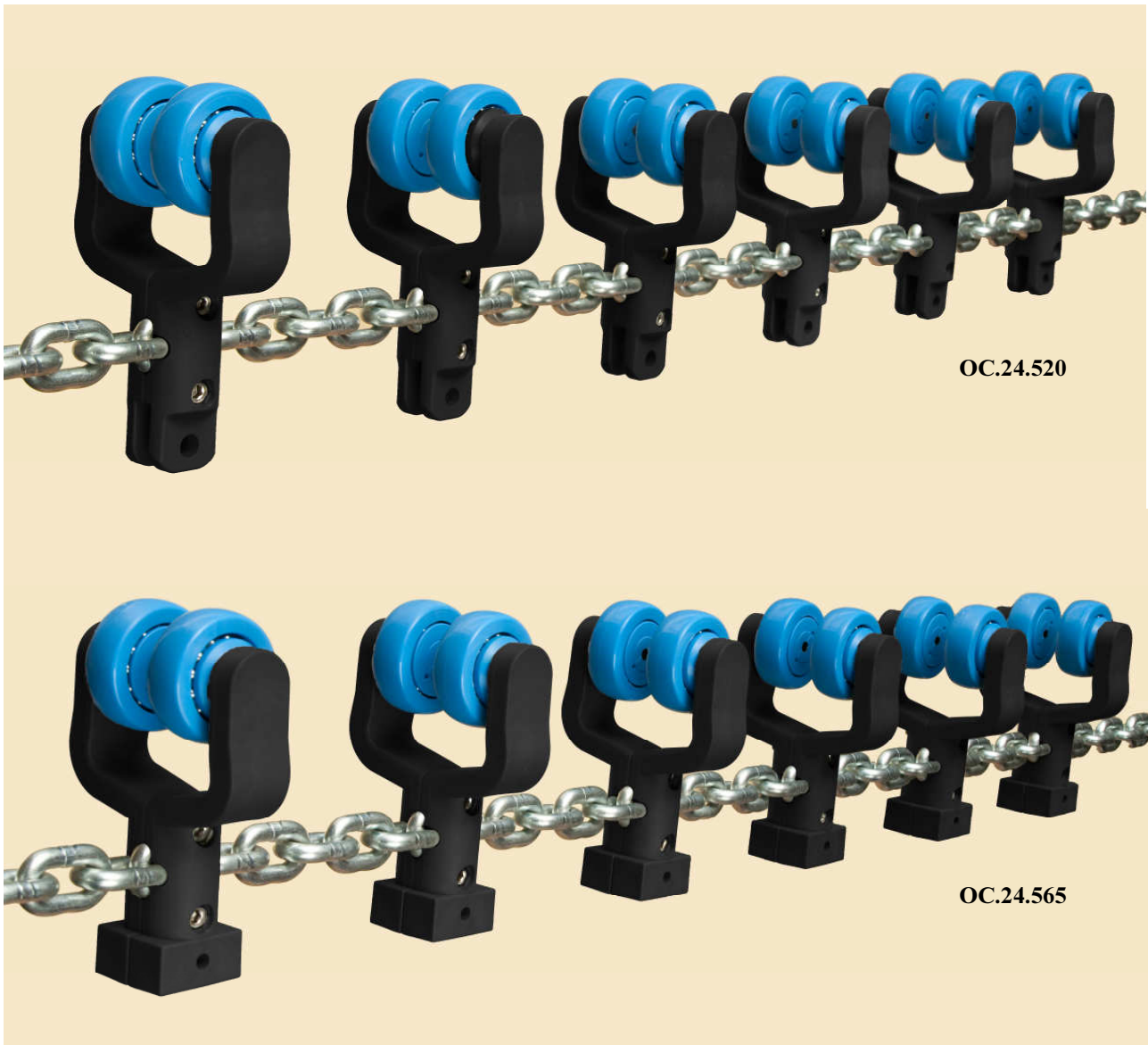


Overhead Conveyor compatible with Stork

Overhead Conveyor chain with click trolleys



Rodon Int. nr:	Description:	Partnr.OEM:	Pos.nr:
OC.24.510	Overheadconveyor chain with trolleys 4" pitch click version		
OC.24.520	Overheadconveyor chain with trolleys 6" pitch click version	673.257 - 600.857	
OC.24.530	Overheadconveyor chain with trolleys 8" pitch click version	673.259 - 604.734	
OC.24.540	Overheadconveyor chain with trolleys 10" pitch click version	608.891	
OC.24.550	Overheadconveyor chain with trolleys 12" pitch click version		
OC.24.560	Overheadconveyor chain with trolleys 6" pitch MX click version	682.460 - 636.411	
OC.24.565	Overheadconveyor chain with trolleys every 6" pitch MX click version	3930029	
OC.24.570	Overheadconveyor chain with trolleys 6" pitch Nutech line click version	627.737	
OC.24.580	Overheadconveyor chain with trolleys 6" pitch FHF-XT click version	654.586	



Overhead Conveyor compatible with Stork Aluminum trolleys and cable



Rodon Int. nr:	Description:	Partnr.OEM:	Pos.nr:
OC.20.001	Aluminum trolley bracket for chain	2R 445 945	201
OC.20.011	Aluminum trolley bracket for cable	2R 231 651X	501
OC.20.030A	Cable d=8 D=10mm shielded (Rilsan)	09.0850.009	112/607
OC.20.060	Trolleybracket cable connector Alu.	515.397	1/131/301
OC.20.502	Aluminum trolley complete chain	4R 544 850	100
OC.20.503	Aluminum trolley half for chain	4R 544 852	101
OC.20.504	Trolley cable connector	1R.515.397 / 4R.505.717	301/130
OC.20.506	Aluminum trolley complete for cable	4R 544 846	400
OC.20.507	Aluminum trolley half for cable	4R 544 848	401
OC.22.520	Cable compl. diam.10 with Alu. trolleys on 6"	4R.563.258 / 4R.514.094	83
OC.22.540	Cable compl. diam.10 with Alu. trolleys on 8"	4R.514.095	82
OC.22.535	Cable compl. diam.10 with Alu. trolleys on 9"		



OC.20.001



OC.20.011



OC.20.060



OC.20.502



OC.20.503



OC.20.504



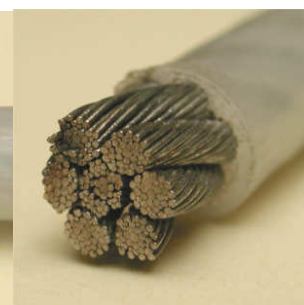
OC.20.506



OC.20.507



OC.20.030A



Nutech/Overhead Conveyor compatible with Stork Pins



Rodon Int. nr:	Description:	Partnr.OEM:	Pos.nr:
OC.20.006	Pin for instesting conveyor line	4M 631 652	3
OC.20.039	Pin, dark grey	579 291	
OC.20.039.4	Pin, 4 quarters, dark grey		
OC.10.021	Pin, green	0990.H024.007.00/201.70.003	



OC.20.006



OC.20.039.4

OC.20.039

OC.10.021

Overhead Conveyor compatible with Stork Chickway Shackle



Rodon Int. nr:	Description:	Partnr.OEM:	Pos.nr:
OC.20.012	Chickway Shackle		1
OC.20.035	Intermediate part , synthetic	3R.568.503	2
OC.20.040	Threaded rod	568.501	3
OC.20.041	Roller	597.607	4
1001.0985.0006	Locknut M6 coated	00.0163.349	5
OC.20.042	Adjusting ring	600.793	6
1006.1481.0312	Pin	00.0415.256	7
OC20.054	Casting for Chickway shackle		8



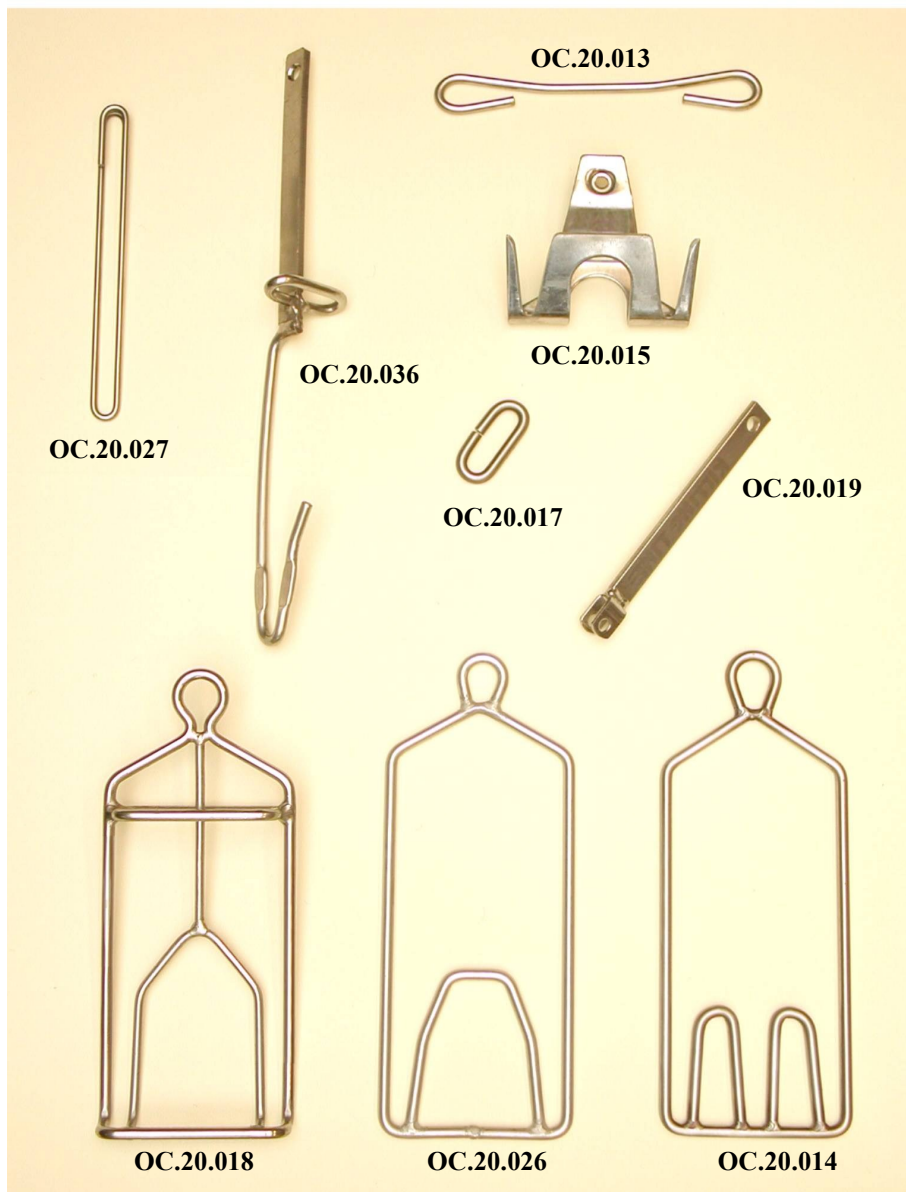
OC.20.012



Overhead conveyor lines compatible with Stork Stainless Steel shackles



Rodon Int. nr:	Description:	Partnr.OEM:	Pos.nr:
OC.20.013	Drop rod for Ev. shackle type E-6-S /E-8-S	4R.433.462	
OC.20.014	Eviscerating shackle 8mm L=310		
OC.20.015	Air chilling shackle S.S. 2 legs		
OC.20.017	SS Link 8mm		
OC.20.018	SS Defeathering shackle type DS		
OC.20.019	SS Intermediate rod for def. shackle type D		
OC.20.026	SS Eviscerating shackle type ES-8R		
OC.20.027	Suspension rod Eviscerating shackle 230x21x5	655.623	
OC.20.036	SS shackle type J		
OC.20.037	Weighing shackle type GS	502.814	
OC.20.079	S.S. Eviscerating shackle Nuova	39.85260	



OC.20.037

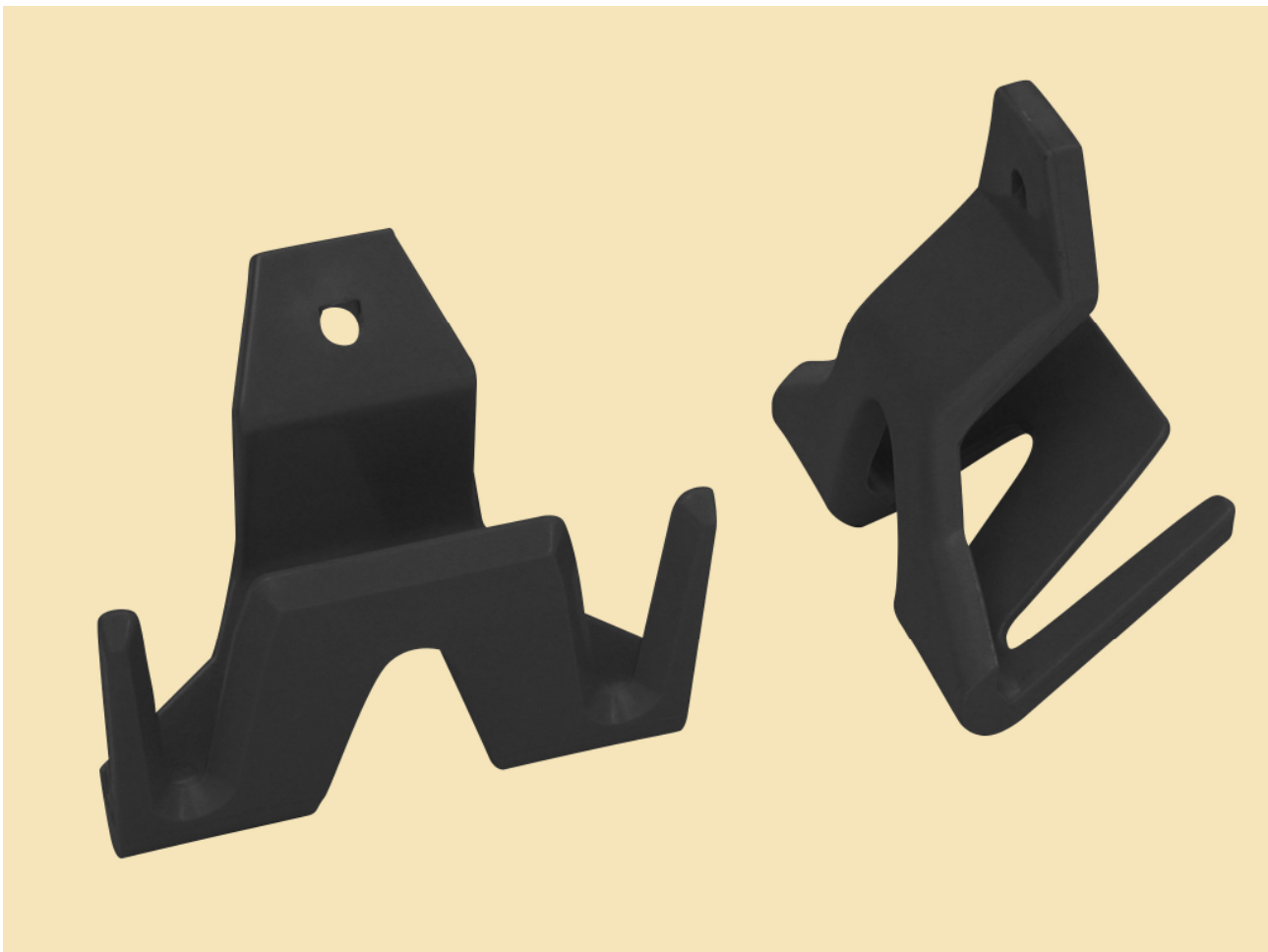


OC.20.079

Overhead Conveyor compatible with Stork Airchilling shackle



Rodon Int. nr:	Description:	Partnr.OEM:	Pos.nr:
OC.20.038	Airchilling shackle, 2 legs synthetic. Type KD	646.302	



Overhead Conveyor compatible with Stork MX turnable cut-up shackle



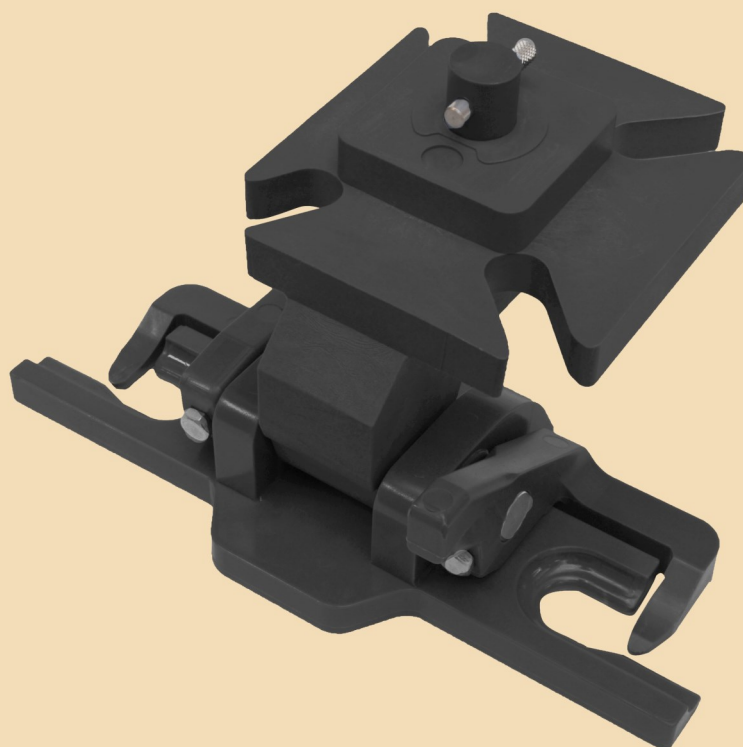
Rodon Int. nr:	Description:	Partnr.OEM:	Pos.nr:
OC.20.056	Shaft, synth MX shackle	3M.652.578	3



Overhead Conveyor compatible with Stork MX portioning shackle, type I

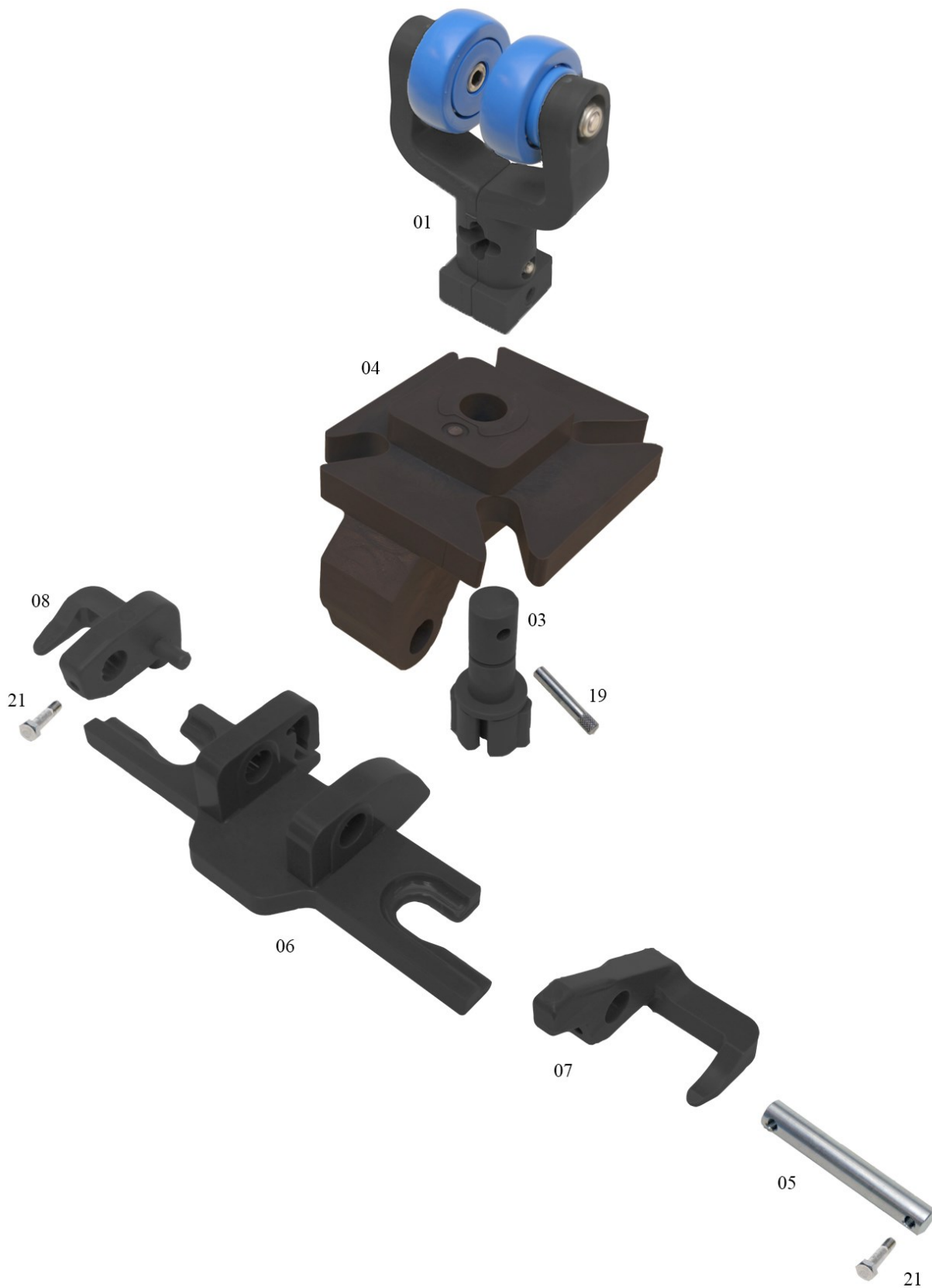


Rodon Int. nr:	Description:	Partnr.OEM:	Pos. nr
OC.20.513	Trolley complete MX shackle	4M.636.413	01
OC.20.056	Shaft, synth MX shackle	3M.652.578	03
OC.20.064	Block	666.372	04
OC.20.065	S.S schaft D=16 L=103	622.032	05
OC.20.066N	Shackle, MX broiler	622.790	06
OC.20.066H	Shackle, MX type HD	622.725	06
OC.20.067	Arm, MX shackle	622.788	07
OC.20.068	Arm with pin, MX shackle	622.787	08
OC.20.057	S.S Pin	09.0500.399	19
1001.0933.0620	Tap bolt M6x20 S.S.	00.0138.137	21
OC.20.561	MX portioning shackle complete, broiler	670.163	
OC.20.562	MX portioning shackle complete, type HD (Roaster)	39.15780	



OC.20.561
OC.20.562

Overhead Conveyor compatible with Stork MX portioning shackle, type I



Overhead Conveyor compatible with Stork MX portioning shackle, type II

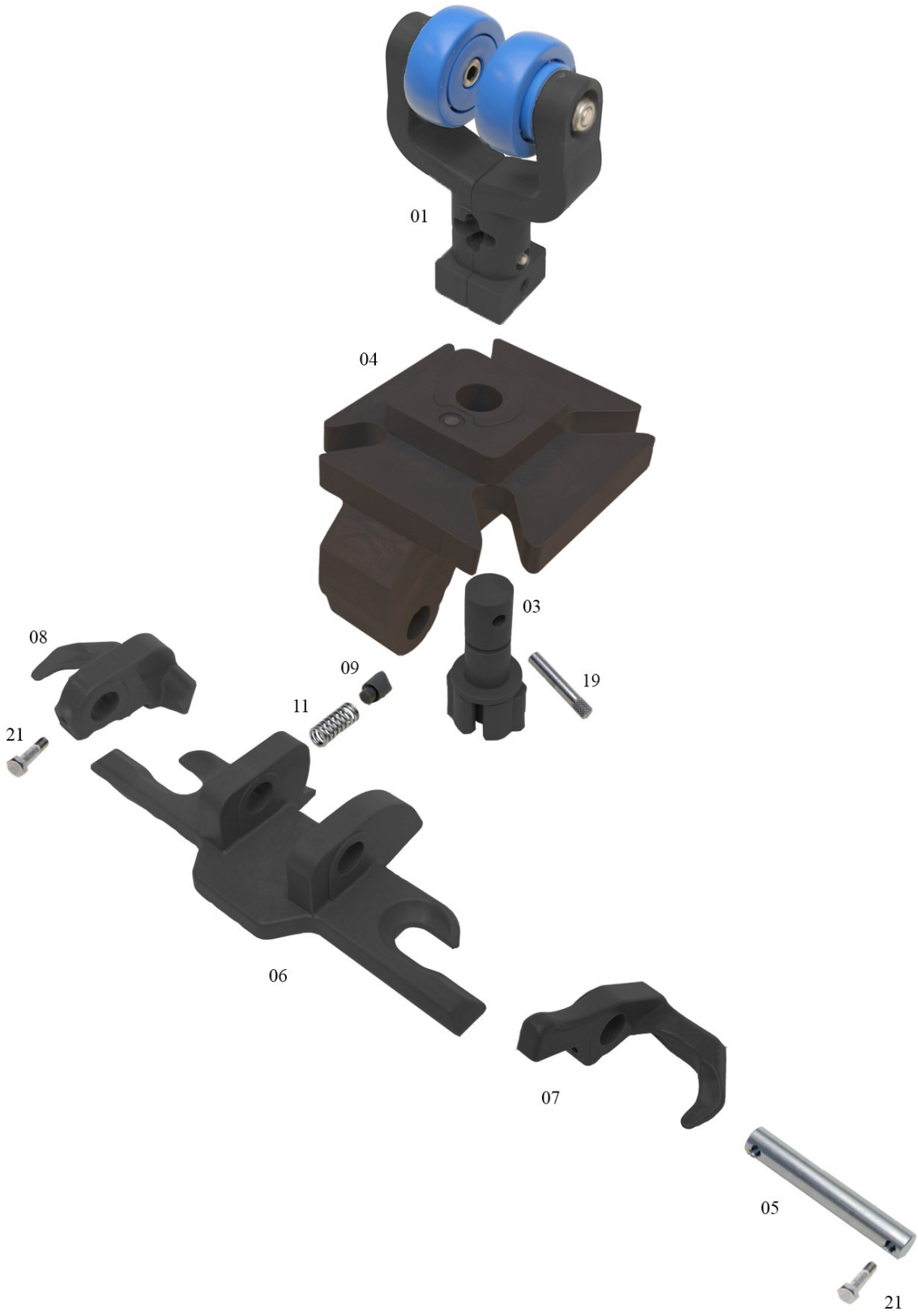


Rodon Int. nr:	Description:	Partnr.OEM:	Pos. nr
OC.20.513	Trolley complete MX shackle	4M.636.413	01
OC.20.056	Shaft, synth MX shackle	3M.652.578	03
OC.20.064	Block	666.372	04
OC.20.065	S.S schaft D=16 L=103	622.032	05
OC.20.070N	Shackle, MX broiler	3972911	06
OC.20.070H	Shackle, MX type HD	3972678	06
OC.20.071	Arm RH, MX shackle	3972912	07
OC.20.072	Arm LH, MX shackle	3972910	08
OC.20.069	Synthetic Pin	3972906	09
VE.DR.012	Compression spring	4M.625.105	11
OC.20.057	S.S Pin	09.0500.399	19
1001.0933.0620	Tap bolt M6x20 S.S.	00.0138.137	21
OC.20.563	MX portioning shackle complete, broiler	3981997.3982017	
OC.20.564	MX portioning shackle complete, type HD (roaster)	3981998.3982008	



OC.20.563
OC.20.564

Overhead Conveyor compatible with Stork MX portioning shackle, type II



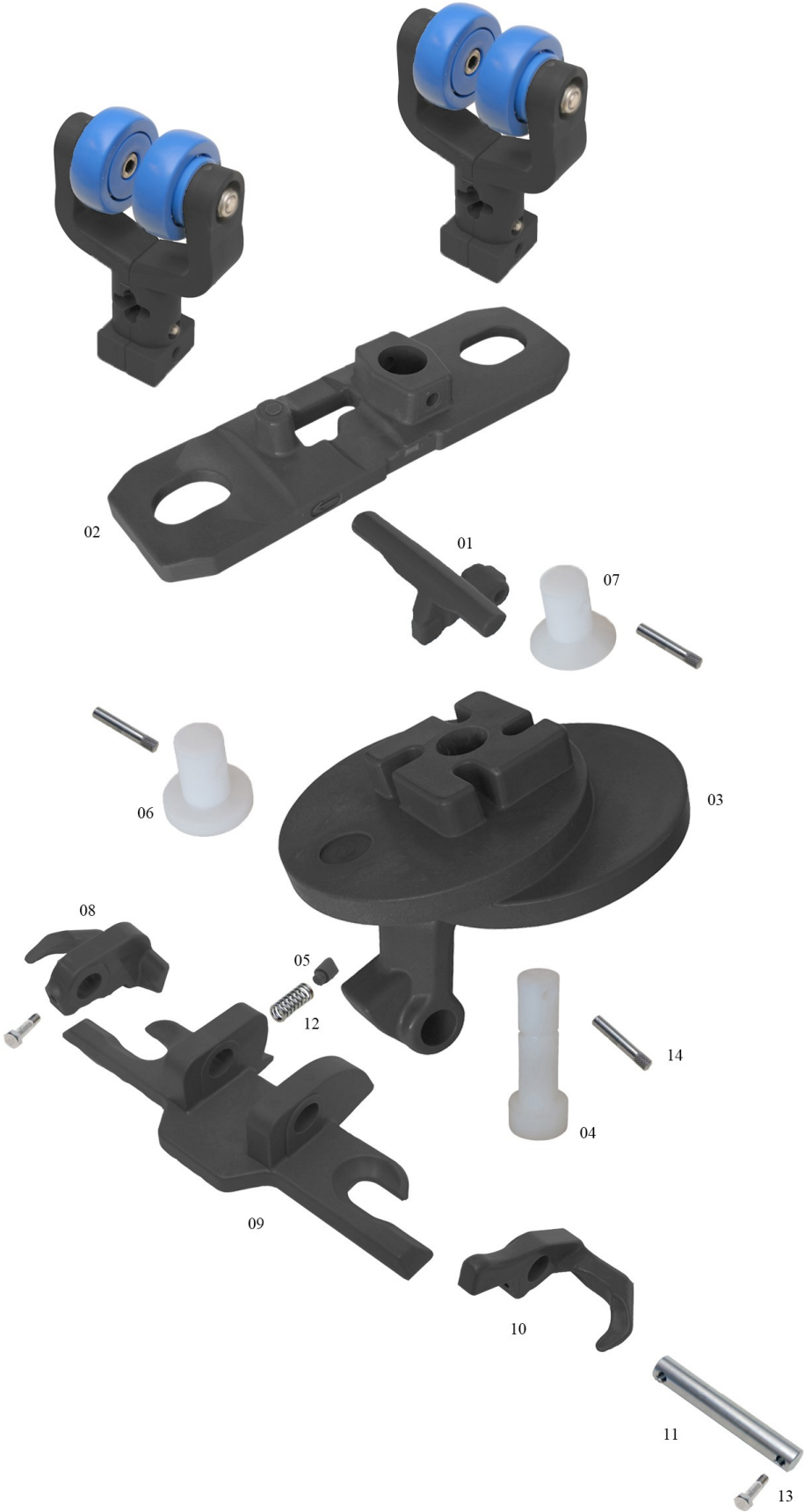
Overhead Conveyor compatible with Stork MX portioning shackle type III



Rodon Int. nr:	Description:	Partnr.OEM:	Pos.nr:
OC.20.513	Trolley complete MX shackle	4M.636.413	
OC.20.073	Closing device synthetic	3972901	01
OC.20.074	Baseplate	3972903	02
OC.20.075	Block	3972904	03
OC.20.076	Synthetic shaft	3972905	04
OC.20.069	Synthetic Pin	3972906	05
OC.20.077	Pin rear white	3972907	06
OC.20.078	Pin front white	3972908	07
OC.20.072	Arm LH, MX shackle	3972910	08
OC.20.070N	Shackle, MX broiler	3972911	09
OC.20.070H	Shackle, MX type HD	3972678	09
OC.20.071	Arm RH, MX shackle	3972912	10
OC.20.065	S.S. shaft D=16 L=103	622.032	11
VE.DR.012	Compression spring	4M.625.105	12
1001.0933.0620	Tap bolt M6x20 S.S.	3913991	13
OC.20.057	S.S. Pin	09.0500.399	14
1001.0125.0006	Washer	00.0350.207	15
OC.20.567	MX portioning shackle complete, broiler	3972909	
OC.20.568	MX portioning shackle complete, type HD		



Overhead Conveyor compatible with Stork MX portioning shackle type III



Overhead Conveyor compatible with Stork T-track bend / Cornerwheels / Teeth



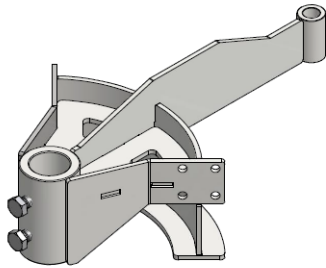
Rodon Int. nr:	Description:	Partnr.OEM:	Pos. nr:
OC.20.529R	Idler unit complete S.S. 10x6" 90° D=485mm		
OC.20.529MR	Idler unit complete S.S. alu. wheel with 10x6" segments 90° D=485mm		
OC.20.532R	Idler unit complete S.S. 15x4" 90° D=485mm		
OC.20.528R	Idler unit complete S.S. 10x6" 180° D=485mm		
OC.20.528MR	Idler unit complete S.S. alu. wheel with 10x6" segments 180° D=485mm		
OC.20.531R	Idler unit complete S.S. 15x4" 180° D=485mm		
OC.20.527	Idler wheel without T-track 10x6" D=485mm		
OC.20.516R	S.S. t-track cornerbend 90° D=485mm	532.890 – 680.242	
OC.20.518R	S.S. t-track cornerbend 180° D=485mm	532.893 – 680.240	
OC.20.048	S.S. t-track up section 30° galvanized	3R.237.216	97.1
OC.20.049	S.S. t-track down section 30° galvanized	3R.237.217	97.2
OC.20.007	Drive wheel segment 6"	3R.546.687	
OC.20.021	Drive segment 6" D=291mm	4R.591.205	
OC.20.020	Drive segment 6" D=485mm	4R.559.177	
OC.20.008	Drive wheel segment 8" D=485mm	4R.561.059	1206
OC.20.022	Idler wheel segment 6"	4R.543.871	
OC.20.023	Idler wheel segment 6" D=291mm	4R.576.743	506
OC.20.009	Idler wheel segment 6" D=485mm	4R.559.176	
OC.20.010	Idler wheel segment 8" D=485mm	4R.561.060	706



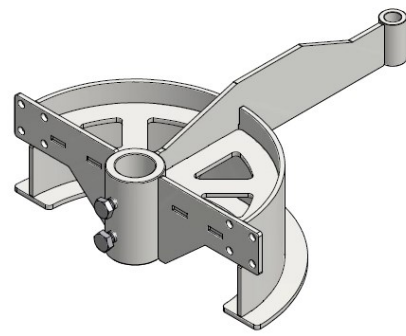
Overhead Conveyor compatible with Stork T-track bends



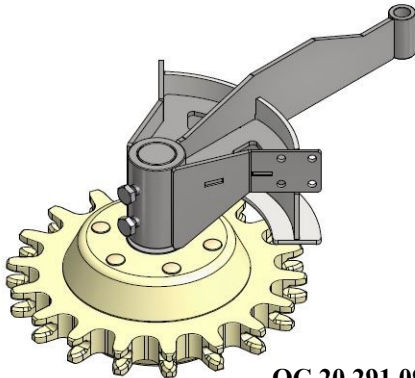
Rodon Int. nr:	Description:	Partnr.OEM:	Pos. nr:
OC.20.291.090	S.S. T-track bend 90° D=291mm excl. wheel		
OC.20.291.180	S.S. T-track bend 180° D=291mm excl. wheel		
OC.20.291.090.Z18	S.S. T-track bend 90° D=291mm incl. wheel		
OC.20.291.180.Z18	S.S. T-track bend 180° D=291mm incl. wheel		
OC.20.485.090	S.S. T-track bend 90° D=485mm excl. wheel		
OC.20.485.180	S.S. T-track bend 180° D=485mm excl. wheel		



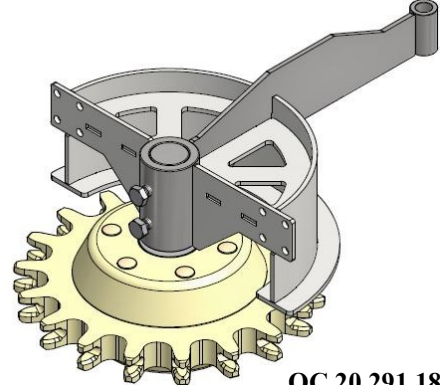
OC.20.291.090



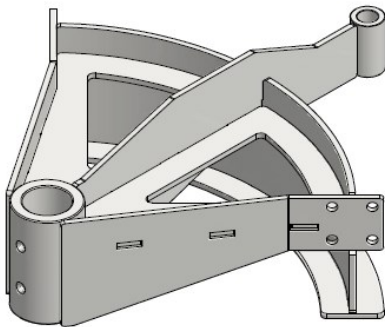
OC.20.291.180



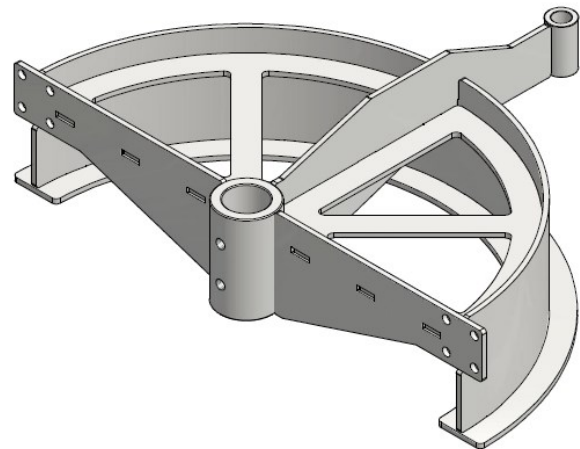
OC.20.291.090.Z18



OC.20.291.180.Z18



OC.20.485.090



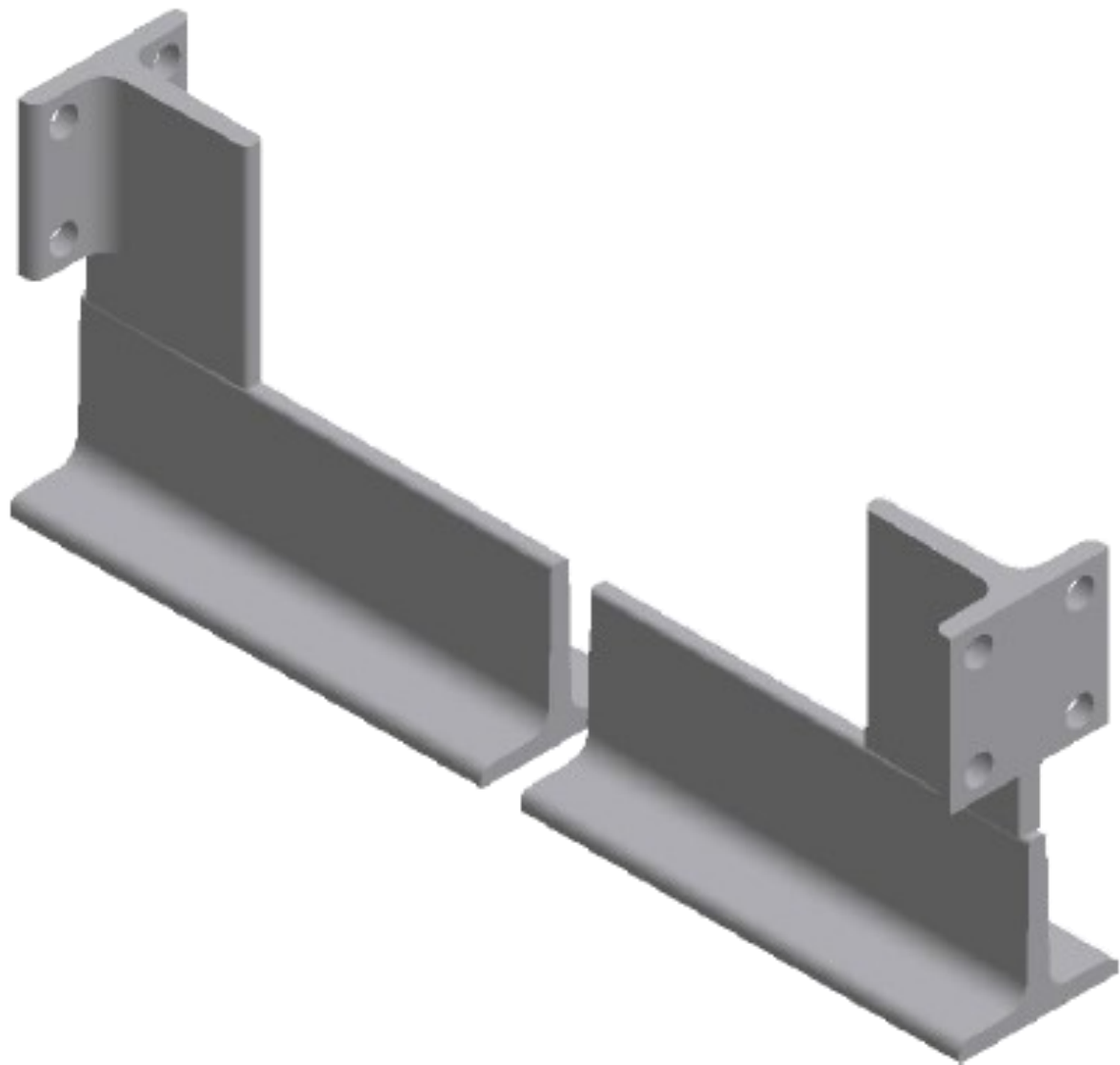
OC.20.485.180

Note: to show the contours of the idler wheel, it is printed in natural colour instead of black.

Conveyor compatible with Stork T-track sections



Rodon Int. nr:	Description:	Partnr.OEM:	Pos. nr:
OC.20.050	Galvanized T-Track sections 50 x 50 x 5mm		
OC.20.044	Galvanized T-Track lugs		
OC.20.050SS	Stainless steel T-Track sections 50 x 50 x 5mm		
OC.20.044SS	Stainless steel T-Track lugs		

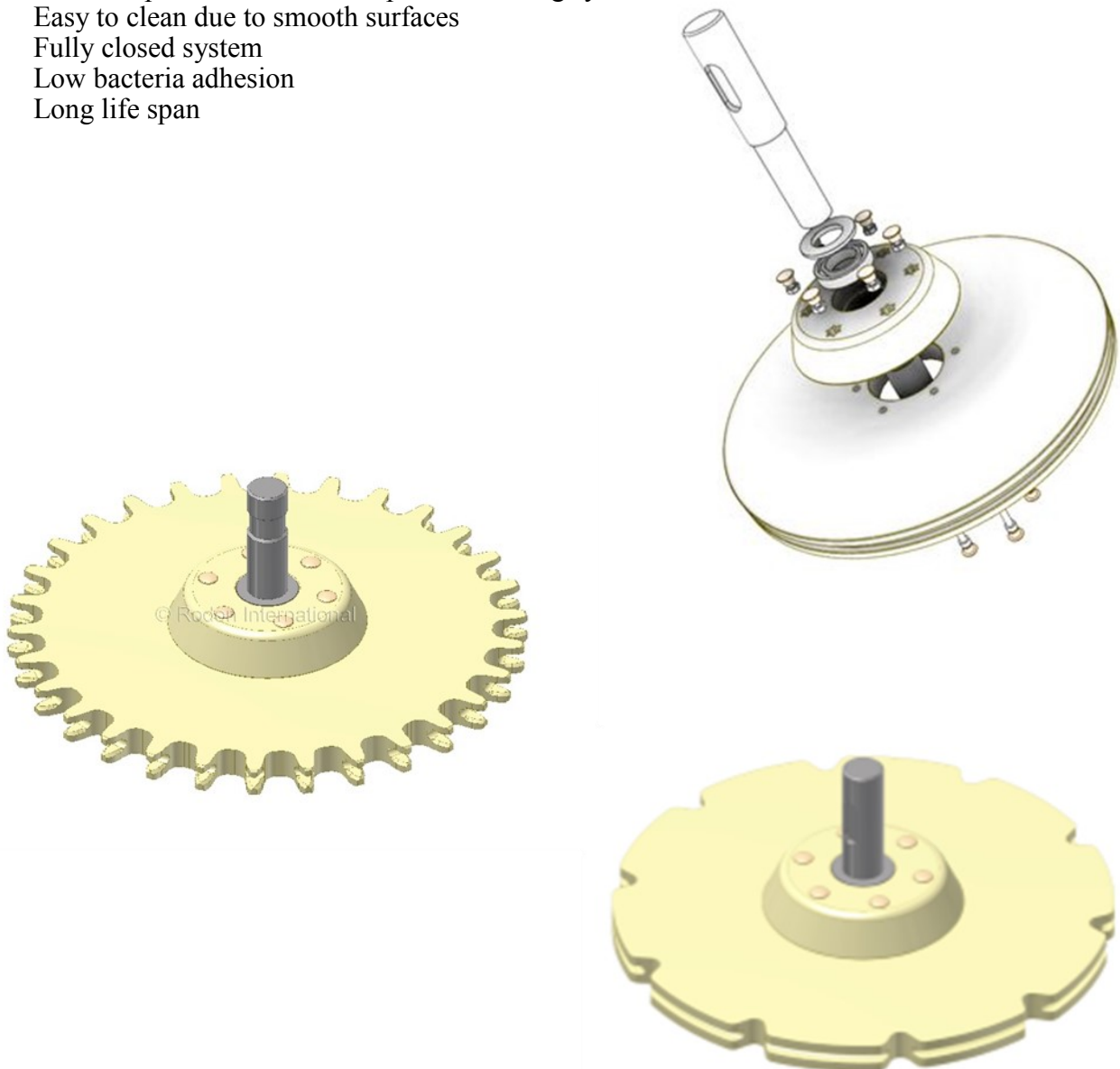


OC.20.050 / OC.20.050SS

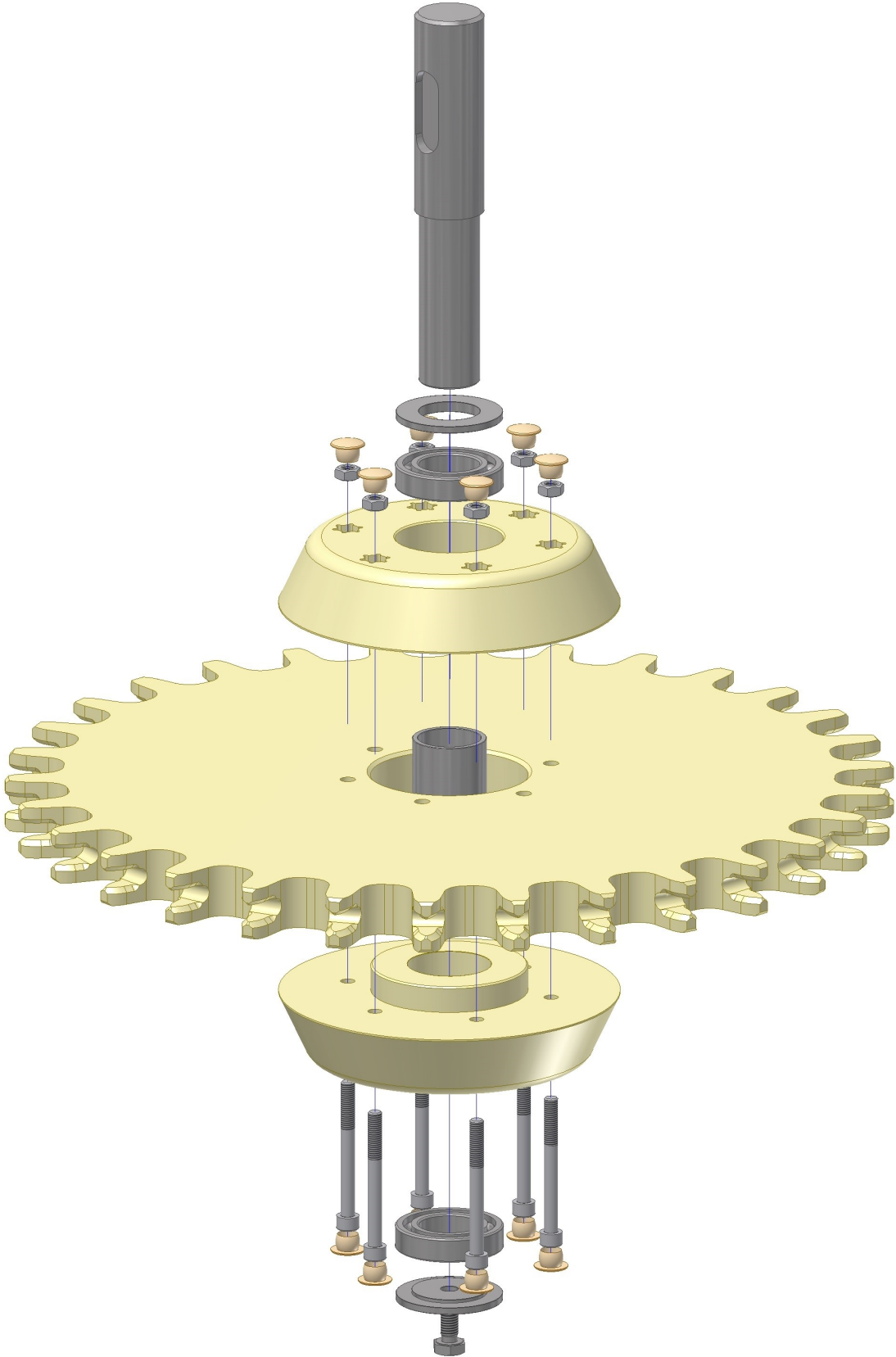
The divisible overhead conveyor corner wheel is made out of corrosion resistance materials and can be executed with many different idler or toothed wheels. This results in a wide range of divisible cornerwheels that can be used in all production areas.

Main advantages :

- Interchangeable with OEM
- Easy to replace
- 100% corrosion resistance due to stainless steel and synthetic materials
- Suitable for all diameters of cornerwheels
- Suitable for all brands of overhead conveyor systems
- Smooth operation due to multiple ball bearing system
- Easy to clean due to smooth surfaces
- Fully closed system
- Low bacteria adhesion
- Long life span



Note: to show the contours of the idler wheel, it is printed in natural colour instead of black.



Overhead conveyoy compatible with Stork Idlerwheels



Rodon Int. nr:	Description:	Partnr.OEM:
OC.20.156	Shaft S.S. L=268, diam. 50mm	
OC.20.157	Spacer S.S. L=220, diam.50,4mm	
OC.10.159	Ring S.S. d=35,2 D=60mm. 6mm thick (cover)	
OC.10.160	Ring S.S. d=11 D=60mm. 6mm thick (cover)	
OC.10.162	Bearinghousing section synth. black	
OC.10.166	Skiffy Cap	
OC.20.168	Shaft L=222mm D=50mm	
OC.20.572.18	Idlerwheel 18x2" compl.synth. Z=18 D=291mm	
OC.20.572.18D	Idlerwheel 18x2" compl.synth. Z=18 D=291mm, divisible	
OC.20.572.18DK	Idlerwheel 18x2" compl.synth. Z=18 D=291mm, short shaft, divisible	
OC.20.572.24	Idlerwheel 24x2" compl.synth. Z=24 D=388mm	
OC.20.572.24D	Idlerwheel 24x2" compl.synth. Z=24 D=388mm, divisible	
OC.20.572.24DK	Idlerwheel 24x2" compl.synth. Z=24 D=388mm, short shaft, divisible	
OC.20.572.30	Idlerwheel 30x2" compl.synth. Z=30 D=485mm	
OC.20.572.30D	Idlerwheel 30x2" compl.synth. Z=30 D=485mm, divisible	
OC.20.572.30DK	Idlerwheel 30x2" compl.synth. Z=30 D=485mm, short shaft, divisible	
OC.20.572.42DK	Idlerwheel 42x2" compl.synth. Z=42 D=679mm, short shaft, divisible	
OC.20.572.66	Idlerwheel 6x6" compl.synth. D=291mm, divisible	
OC.20.572.86	Idlerwheel 8x6" compl.synth. D=388mm, divisible	
OC.20.572.106	Idlerwheel 10x6" compl.synth. D=485mm, divisible	



OC.20.156



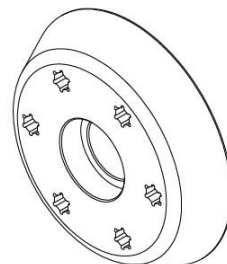
OC.10.157



OC.10.159



OC.10.160

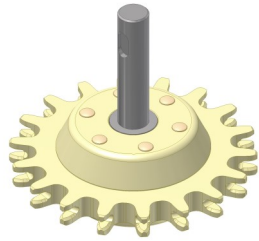


OC.10.162

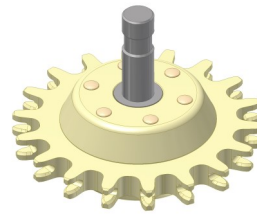


OC.10.166

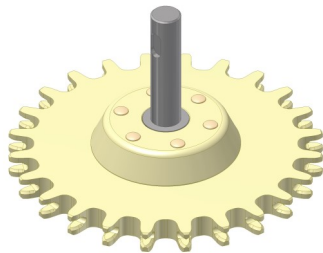
Overhead conveyor compatible with Stork Idlerwheels



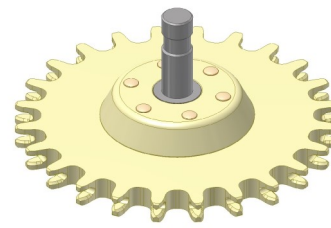
OC.20.572.18D



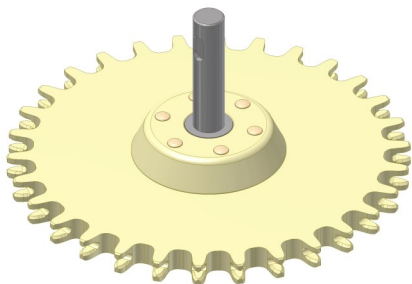
OC.20.572.18DK



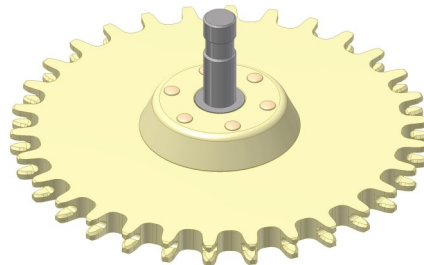
OC.20.572.24D



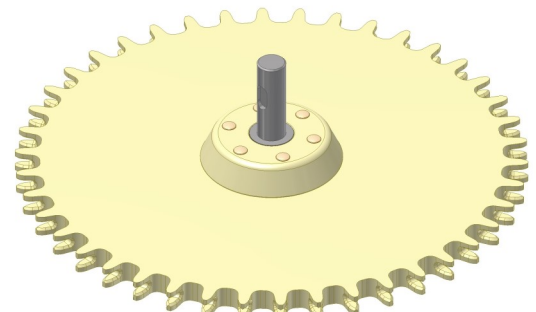
OC.20.572.24DK



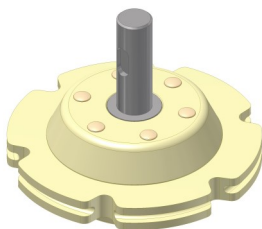
OC.20.572.30D



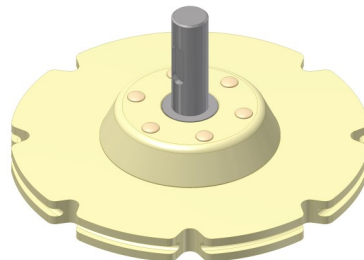
OC.20.572.30DK



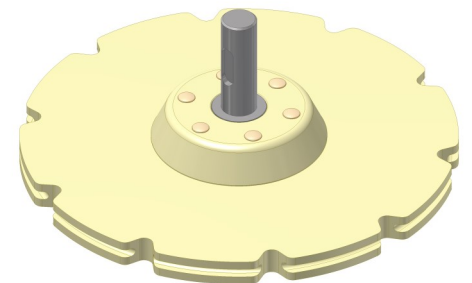
OC.20.572.42D



OC.20.572.66



OC.20.572.86



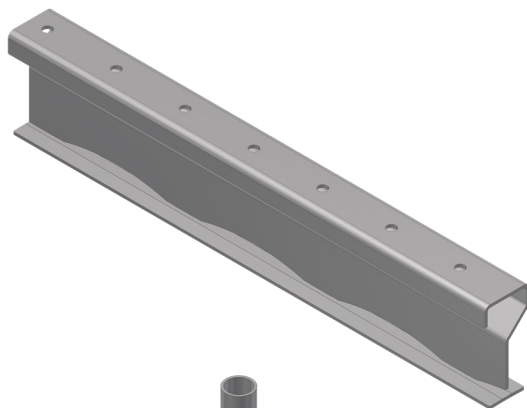
OC.20.572.106

Note: to show the contours of the idler wheel, it is printed in natural colour instead of black.

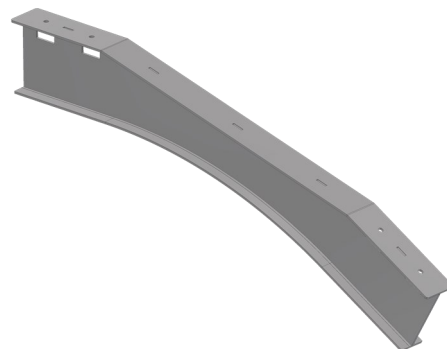
ECT Overhead Conveyor T-track, bends and units



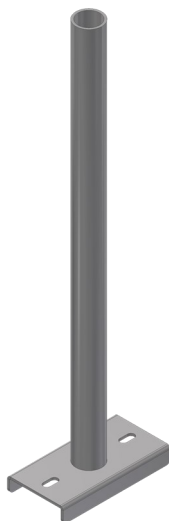
Rodon Int. nr:	Description:	Partnr.OEM:	Pos. nr:
OC.21.100	ECT-track S.S. L=3950mm		
OC.21.100S	ECT-track S.S. L=2950mm		
OC.21.011	Suspension rod ECT-track		
OC.21.101A	ECT-profile down piece 30 degrees S.S.		
OC.21.101B	ECT-profile up piece 30 degrees S.S.		
OC.21.D485.180.30Z	Drive unit 180° D=485mm Z=30		
OC.21.T485.180.30Z	Idler unit D=485mm 180° Z=30		
OC.21.T485.090.30Z	Idler unit D=485mm 90° Z=30		
OC.21.589R	T-track bend 90 degr. D=485mm flange 300mm S.S.		
OC.21.590R	T-track bend 90 D=485mm S.S.		
OC.21.PT485.30Z	S.S. Pneumatic ECT-track Tensioner D=485mm 180°		
OC.21.594R	Chain tension unit, 180 Degr., D=680mm S.S. w/o wheel		



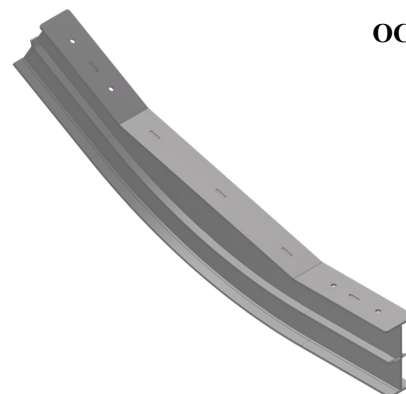
OC.21.100



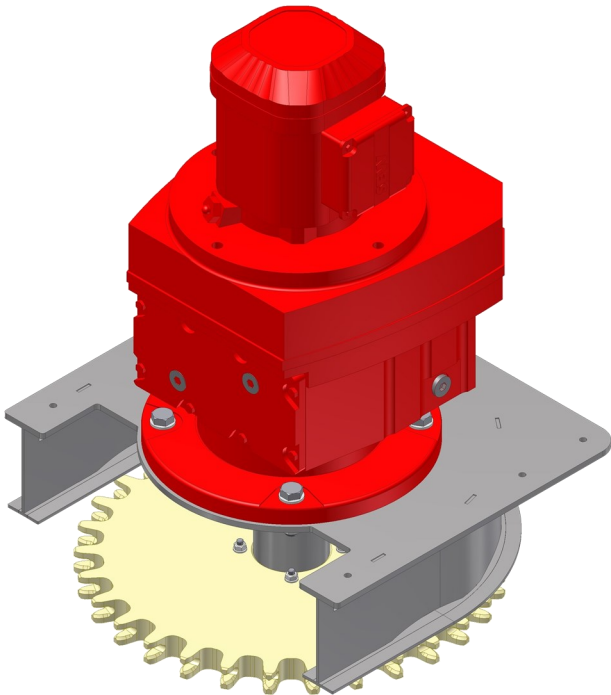
OC.21.101A



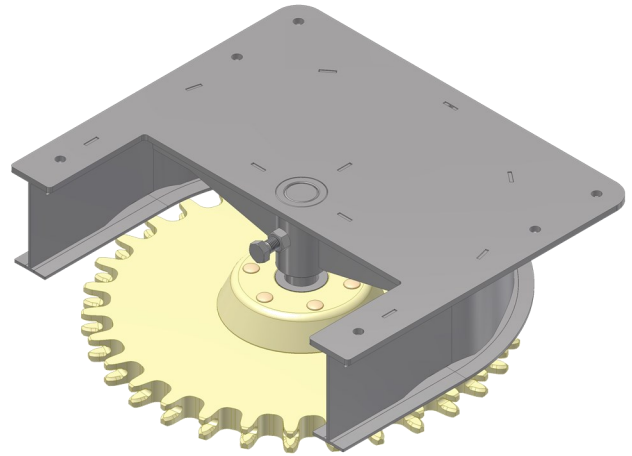
OC.21.011



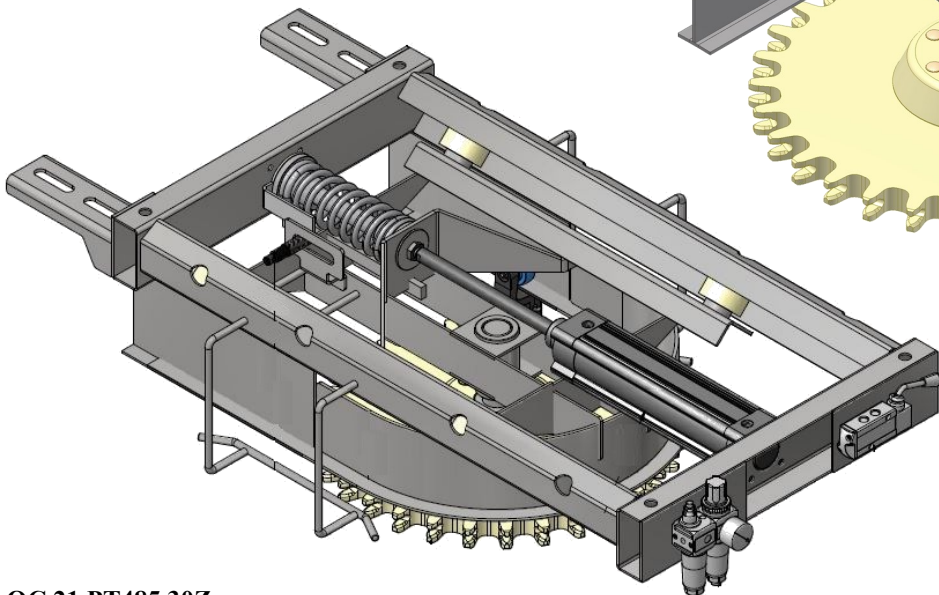
OC.21.101B



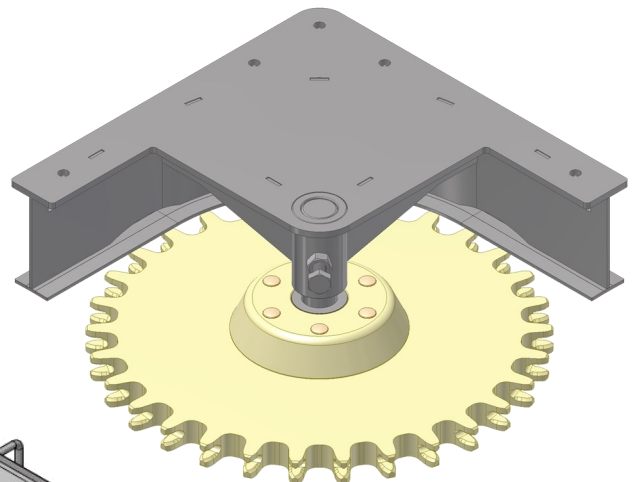
OC.21.D485.180.30Z



OC.21.T485.180.30Z



OC.21.PT485.30Z



OC.21.T485.090.30Z

Note: to show the contours of the idler wheel, it is shown in natural colour instead of white or black.



Overhead conveyor parts for Tube Track

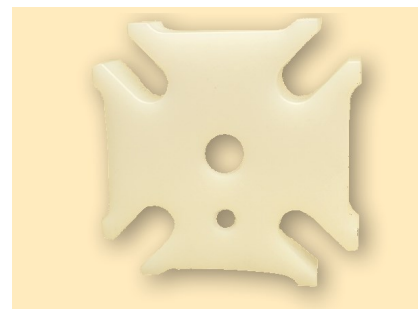
Overhead Conveyor compatible with Systemate Cut-up system



Rodon Int. nr:	Description:	Partnr.OEM:	Pos.nr:
OC.30.010	Synthetic rotation block for cut-up shackle		
OC.30.014	Detector S.S.	71.40.000.100	
OC.30.015	Synthetic turning block	78.70.000.500	
OC.30.016	Flex block	78.70.006.400	
OC.30.017	Tumbler assembly	79.00.002.800	
OC.30.501	Cut-up shackle complete S.S. + synthetic plate		



OC.30.501



OC.30.010



OC.30.015



OC.30.016



OC.30.017



OC.30.014

Overhead Conveyor

Chill shackle Duo



Rodon Int. nr:	Description:	Partnr.OEM:	Pos.nr:
OC.30.013	Chill shackle Duo		
OC.30.013K	Chill shackle Duo grey		
OC.30.021	Chill shackle Duo + neck, blue	21.402.0161 - 153577	
OC.30.021W	Chill shackle Duo + neck, white	21.402.0161 - 153577	
OC.40.098	Airchill shackle 3-P grey	21.403.0601 - 153584	
OC.40.098B	Airchill shackle 3-P blue	21.403.0600 - 153583	



OC.30.013K



OC.30.013



OC.30.021



OC.30.021W



OC.40.098



OC.40.098B

Overhead Conveyor, Tube track Stainless-steel (S.S.) trolleys



Rodon Int. nr:	Description:	Partnr.OEM:	Pos.nr:
OC.30.005	Trolley bracket	20.400.0001	
OC.30.505	Trolley wheel narrow		
OC.50.504	Trolley wheel green		
OC.50.504R	Trolley wheel red		
OC.50.505	Trolley wheel blue		
OC.40.505	Trolley wheel wide		
OC.40.506	Trolley half with narrow wheel		
OC.40.507	Trolley half with green wheel	20.4000.101	
OC.40.507B	Trolley half with blue wheel	20.4000.101	
OC.40.511	Trolley complete with green wheel	20.400.0101	
OC.40.511B	Trolley complete with blue wheel	20.400.0101	
OC.40.511S	Trolley complete with narrow wheel		



OC.30.005



OC.50.504



OC.50.504R



OC.50.505



OC.40.511



OC.40.507

OC.40.507B

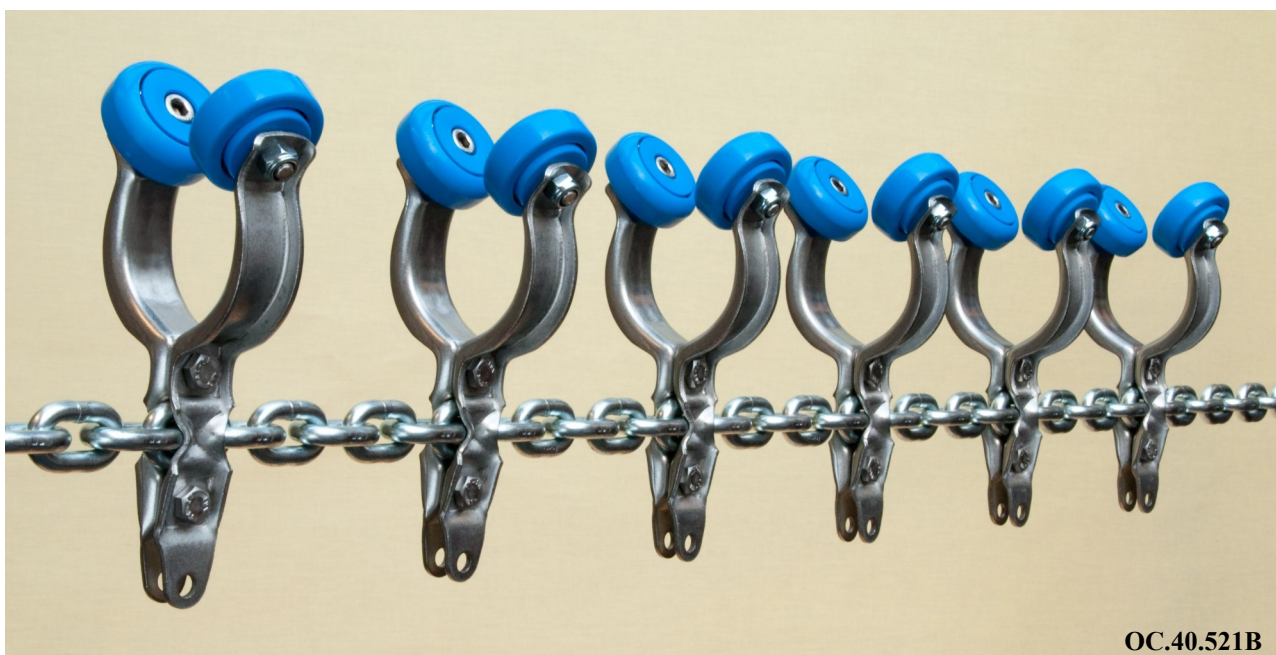


OC.40.511B

Overhead Conveyor, Tube track Chain with trolleys

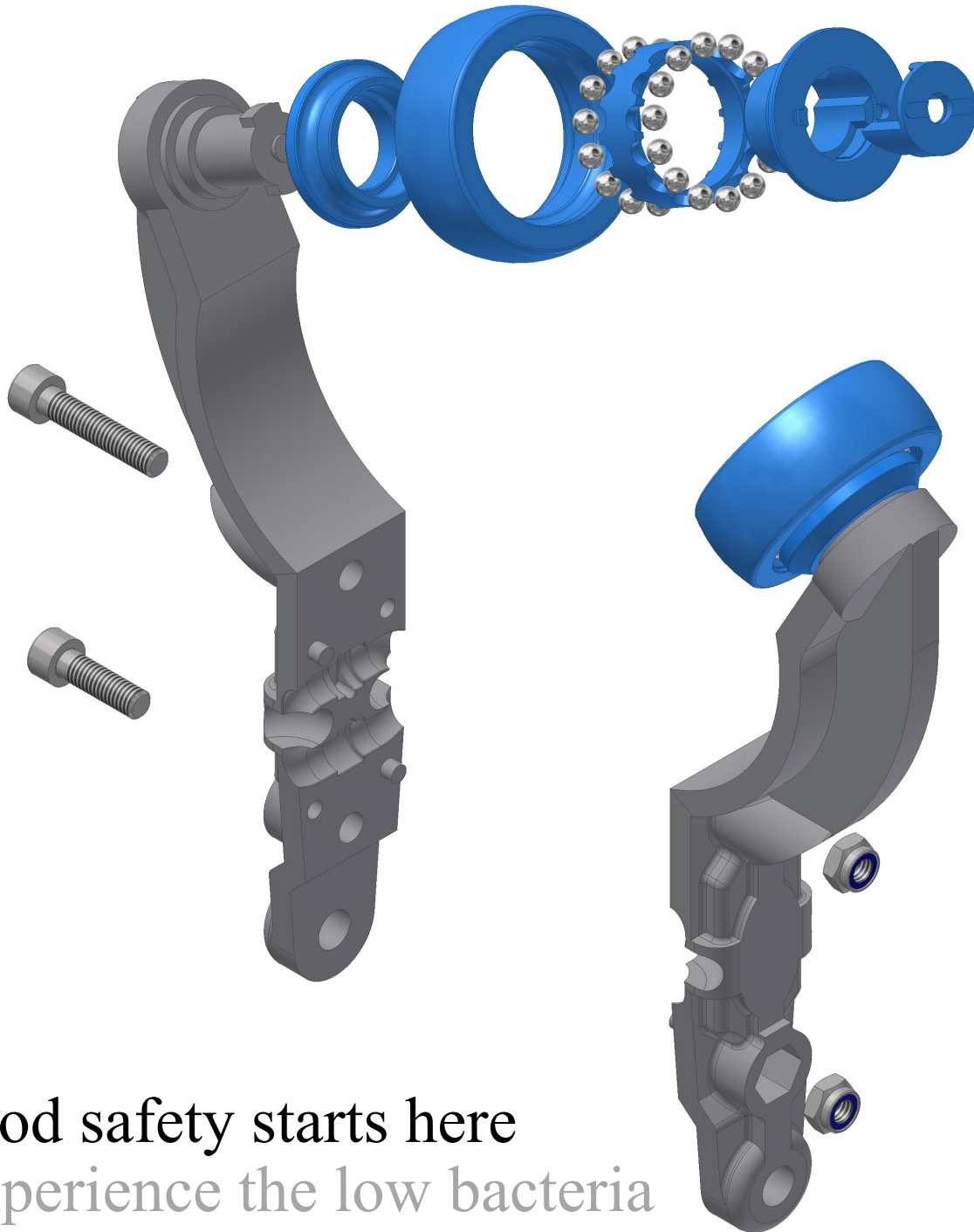


Rodon Int. nr:	Description:	Partnr.OEM:
	Galvanized overheadconveyor chain	
OC.40.521	Overheadconveyor chain compl. 6" w. S.S. trolleys for tube track green wheel	
OC.40.521B	Overheadconveyor chain compl. 6"w. S.S. trolleys for tube track blue wheel	
OC.40.530	Overheadconveyor chain compl. 8"w. S.S. trolleys for tube track green wheel	
OC.40.530B	Overheadconveyor chain compl. 8"w. S.S. trolleys for tube track blue wheel	
OC.40.535	Overheadconveyor chain compl. 10"w. S.S. trolleys for tube track green wheel	
OC.40.535B	Overheadconveyor chain compl. 10"w. S.S. trolleys for tube track blue wheel	
	Stainless steel overheadconveyor chain	
OC.40.521S	S.S. overheadconveyor chain compl. 6"w. S.S. trolleys for tube track green wheel	
OC.40.521SB	S.S. overheadconveyor chain compl. 6"w. S.S. trolleys for tube track blue wheel	
OC.40.530S	S.S. overheadconveyor chain compl. 8"w. S.S. trolleys for tube track green wheel	
OC.40.530SB	S.S. overheadconveyor chain compl. 8"w. S.S. trolleys for tube track blue wheel	
OC.40.535S	S.S. overheadconveyor chain compl. 10"w. S.S. trolleys for tube track green wheel	
OC.40.535SB	S.S. overheadconveyor chain complete 10"w. S.S. trolleys for tube track blue wheel	



OC.40.521B

New generation
Double click tube track trolley



Food safety starts here
Experience the low bacteria
adhesion on our trolleys

Advantages

Double click tube track trolley

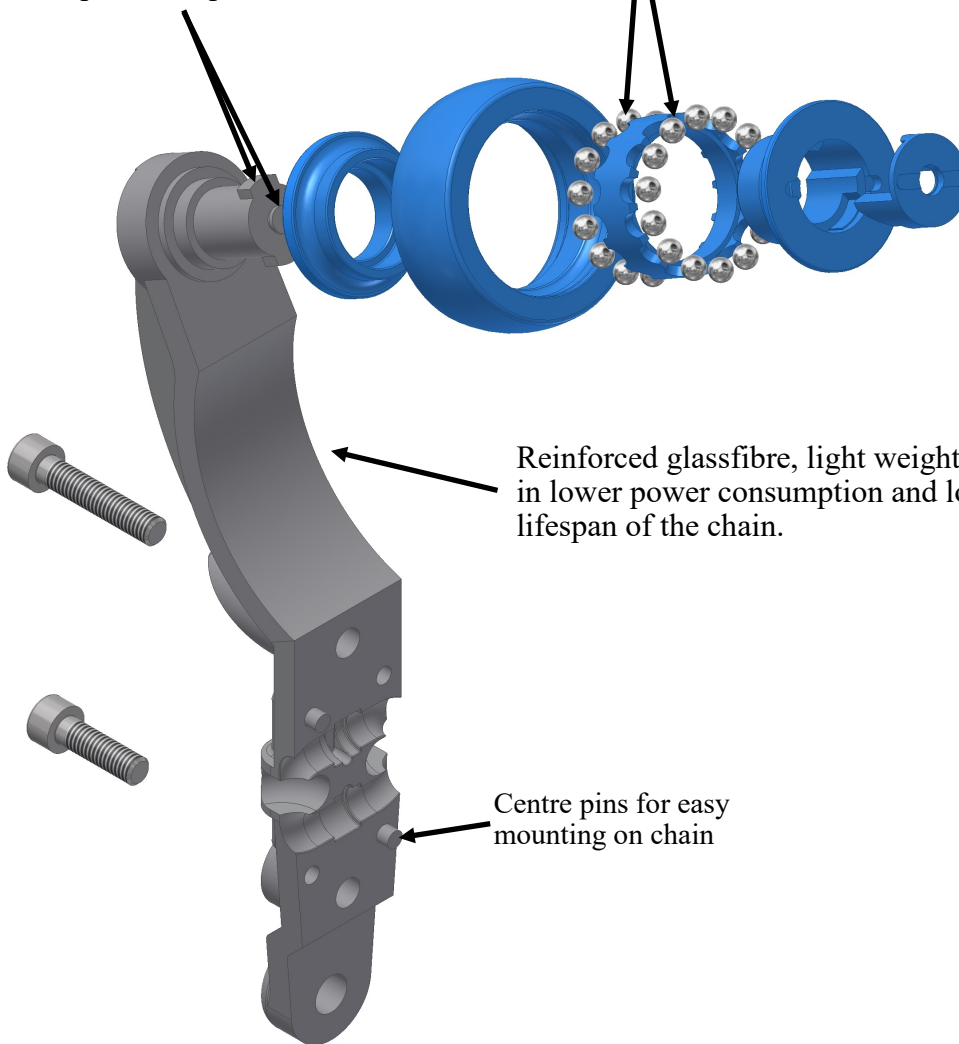


Extreme low bacteria adhesion due to:

- No cavity
- No protruding bolt and nut
- Smooth surface
- No brand names
- No production marks
- No part numbers

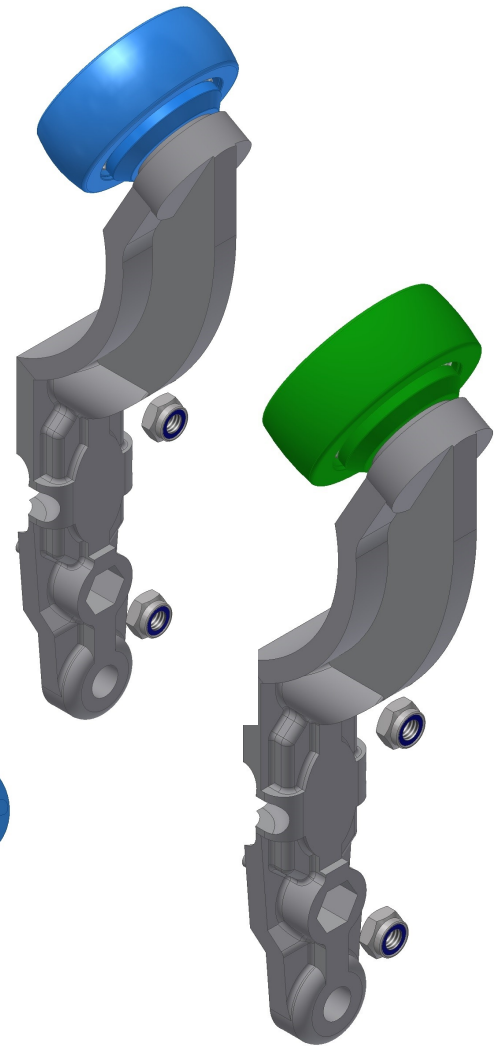
Double row S.S. ball bearings, smooth running, less resistance and suitable for high speed lines

Improved double click mechanism prevents spontaneous release of wheel



Reinforced glassfibre, light weight resulting in lower power consumption and longer lifespan of the chain.

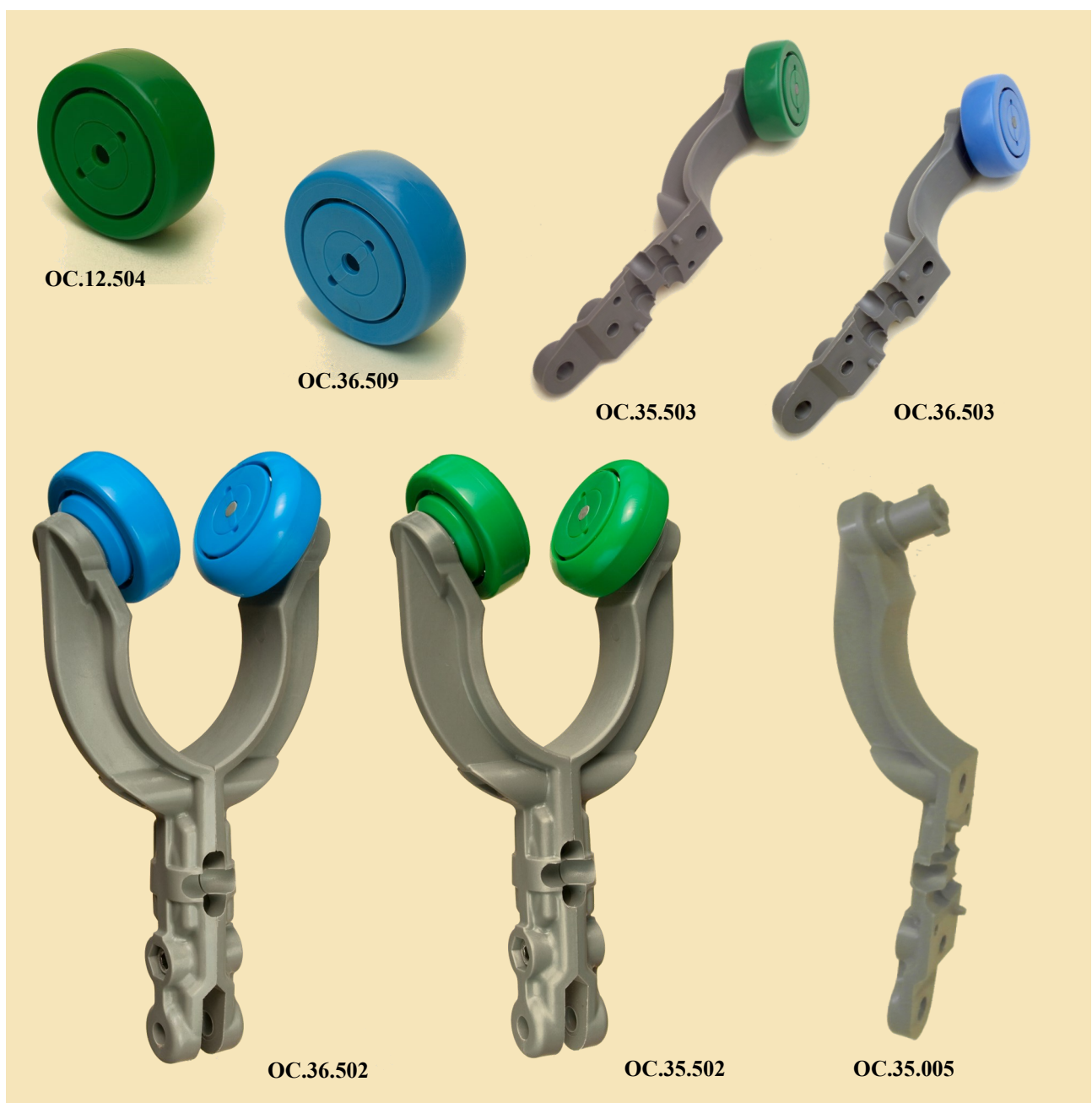
Centre pins for easy mounting on chain



Tube track Overhead Conveyor Click trolley



Rodon Int. nr:	Description:	Partnr.OEM:	Pos.nr:
OC.12.504	Trolley wheel synthetic green click version D=49	0990.T023.001.24	
OC.36.509	Trolley wheel synthetic blue click version D=49		
OC.35.005	Trolley bracket synthetic click version		
OC.35.503	Trolley half synthetic with green wheel click version		
OC.36.503	Trolley half synthetic with blue wheel click version		
OC.35.502	Trolley complete synthetic with green wheel click version		
OC.36.502	Trolley complete synthetic with blue wheel click version		

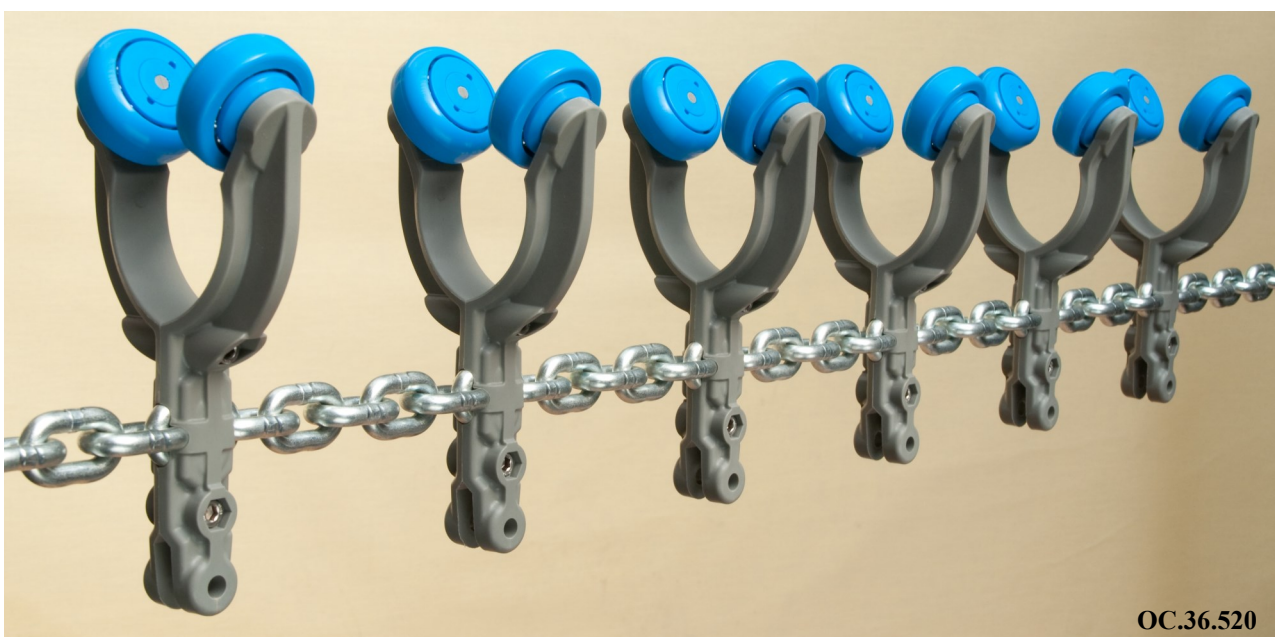
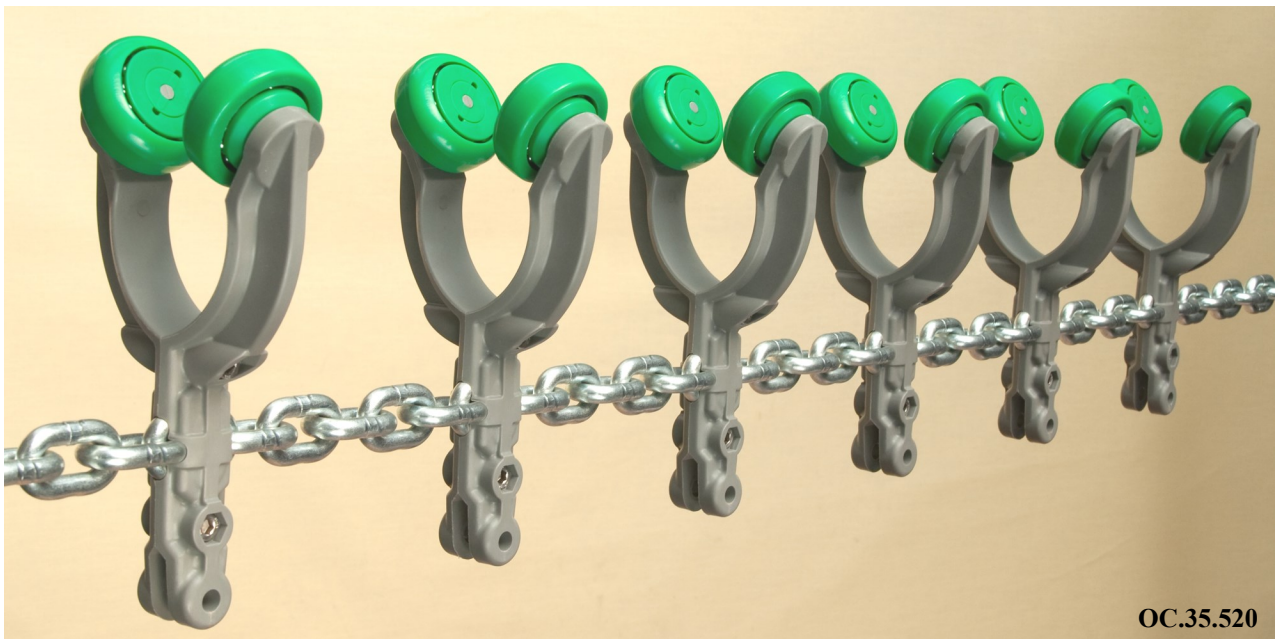


Tube track Overhead Conveyor

Overhead conveyor chain with click trolleys



Rodon Int. nr:	Description:	Partnr.OEM:	Pos.nr:
OC.36.510	Overheadconveyor chain with trolleys 4" pitch blue wheel click version		
OC.35.520	Overheadconveyor chain with trolleys 6" pitch green wheel click version		
OC.36.520	Overheadconveyor chain with trolleys 6" pitch blue wheel click version		
OC.35.530	Overheadconveyor chain with trolleys 8" pitch green wheel click version		
OC.36.530	Overheadconveyor chain with trolleys 8" pitch blue wheel click version		
OC.35.540	Overheadconveyor chain with trolleys 10" pitch green wheel click version		
OC.36.540	Overheadconveyor chain with trolleys 10" pitch blue wheel click version		



Overhead Conveyor Tube track Chain with trolleys



Rodon Int. nr:	Description:	Partnr.OEM:	Pos.nr:
OC.40.509	Trolley wheel "wide" blue	67.504.9191.01	
OC.40.025	Trolley bracket, synthetic	20.403.0002	
OC.40.523	Trolley half synthetic with wheel		
OC.40.524	Trolley complete, synthetic with wheel	20.403.0102	
OC.40.522	Chain with trolleys on a 6" pitch	A20.522.070.01	
OC.40.525	Chain with trolleys on a 8" pitch		
OC.40.526	Chain with trolleys on a 4" pitch		



Overhead Conveyor Tube Track

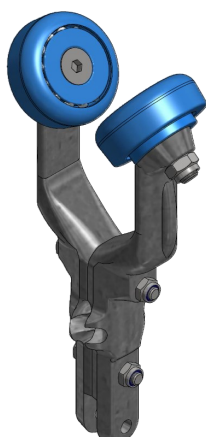
Chain with cast iron galvanised trolleys



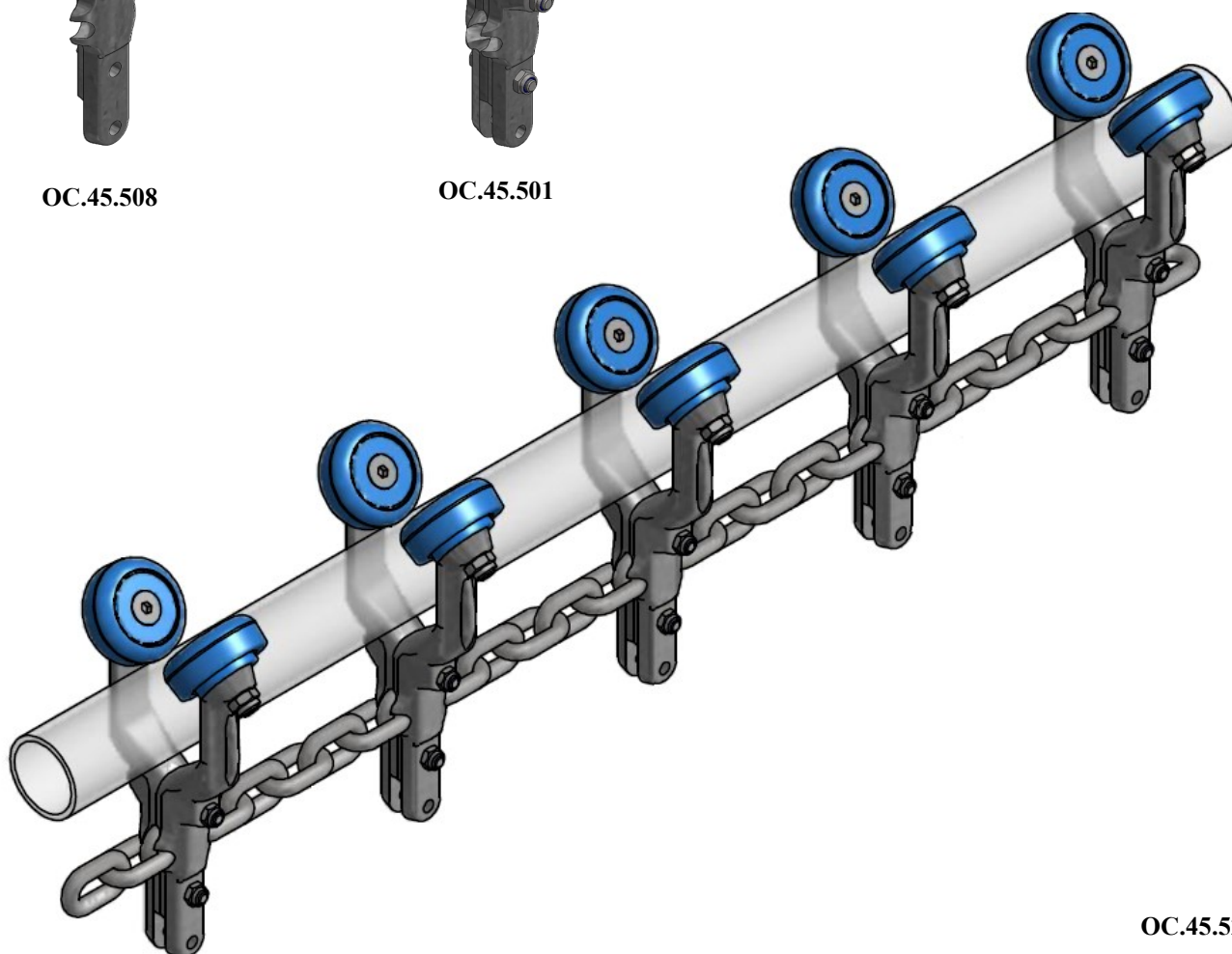
Rodon Int. nr:	Description:	Partnr.OEM:	Pos. nr:
OC.40.509	Trolleywheel wide for tube track	67.504.9191.01	
OC.30.002R	Trolley bracket cast iron galvanised for tube track	20.401.0000	
OC.45.508	Trolley half for cast iron galvanised for tube track		
OC.45.501	Trolley complete cast iron galvanised for tube track		
OC.45.520	Overhead chain compl. 6" with cast iron galvanised trolleys for tube track		
OC.45.530	Overhead chain compl. 8" with cast iron galvanised trolleys for tube track		



OC.45.508



OC.45.501

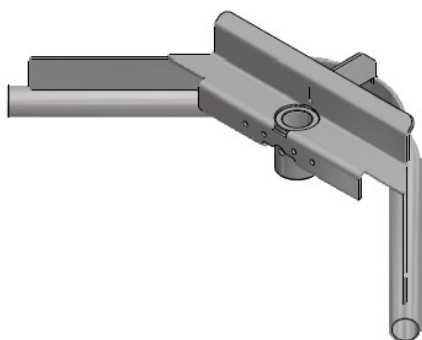


OC.45.520

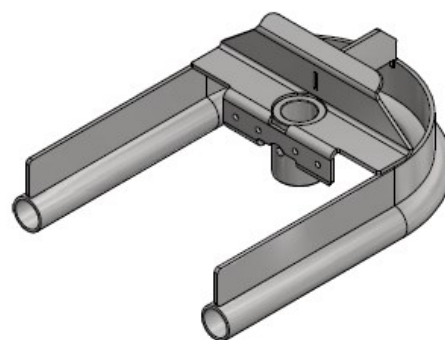
Overhead Conveyor compatible with Linco Tube track bends



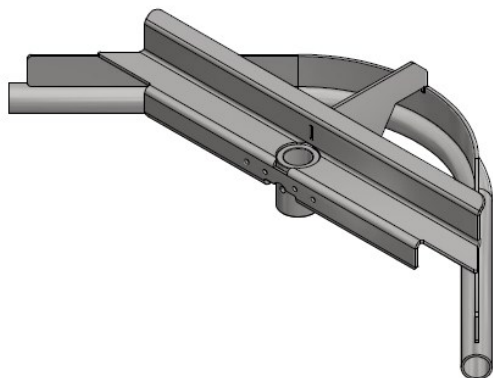
Rodon Int. nr:	Description:	Partnr.OEM:	Pos. nr:
OC.40.291.090L	S.S. tubetrack bend 90° D=291mm excl. wheel	20.210.2402	
OC.40.291.180L	S.S. tubetrack bend 180° D=291mm excl. wheel	20.210.2502	
OC.40.485.090L	S.S. tubetrack bend 90° D=485mm excl. wheel	20.210.2403	
OC.40.485.180L	S.S. tubetrack bend 180° D=485mm excl. wheel	20.210.2503	



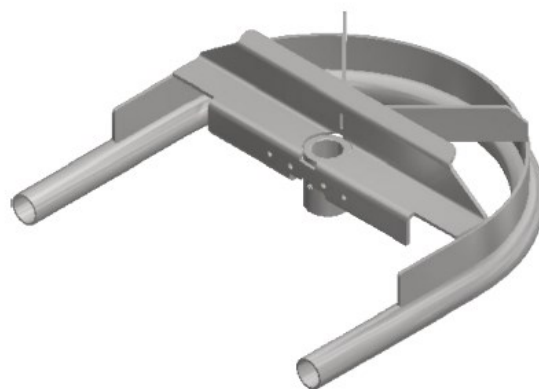
OC.40.291.090L



OC.40.291.180L



OC.40.485.090L

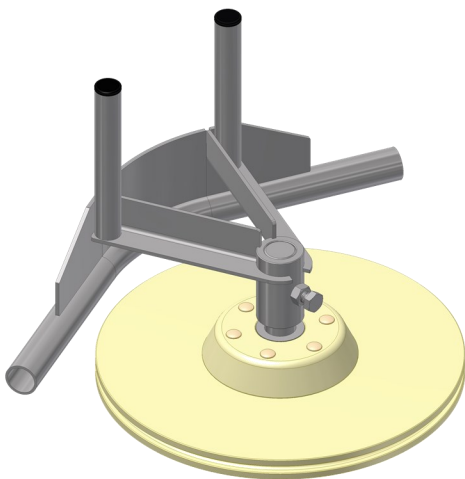


OC.40.485.180L

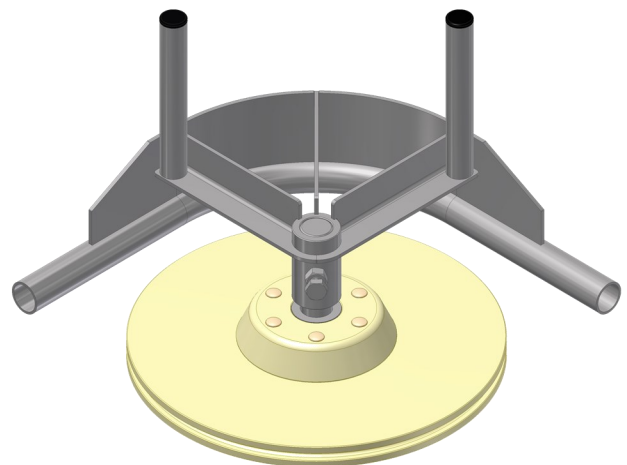
Overhead Conveyor Tube Track Bends including idler wheel



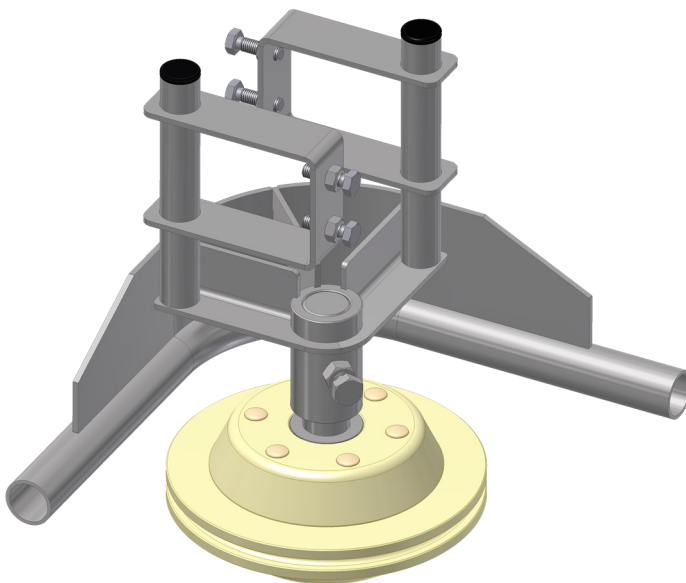
Rodon Int. nr:	Description:	Partnr.OEM:	Pos. nr:
OC.40.485.45.460Z	S.S. tube track bend 45° D=485mm incl. wheel		
OC.40.T485.090.460Z	S.S. tube track bend 90° D=485mm incl. wheel		
OC.40.T291.090.266Z	S.S. tube track 1 1/4" 90° bend D=291mm incl. wheel		
OC.40.T291.180.266	S.S. tube track 1 1/4" 180° bend D=291mm incl. wheel		
OC.40.T485.180.460Z	S.S. tube track 1 1/4" 180° bend D=485mm incl. wheel		



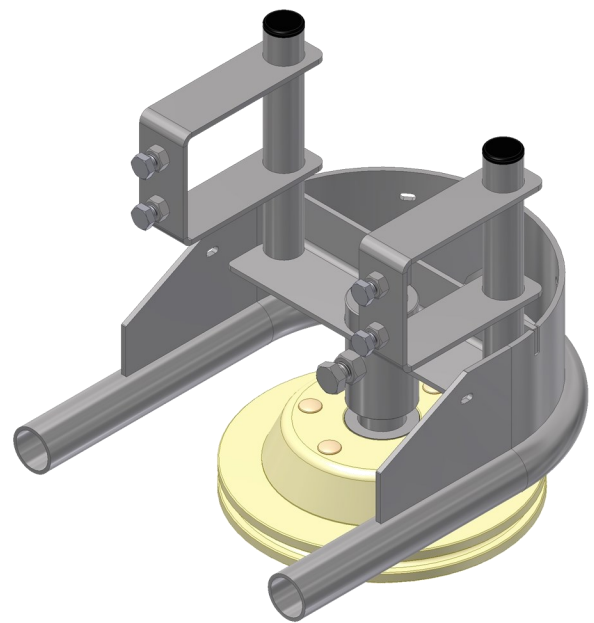
OC.40.485.45.460Z



OC.40.T485.090.460Z



OC.40.T291.090.266Z



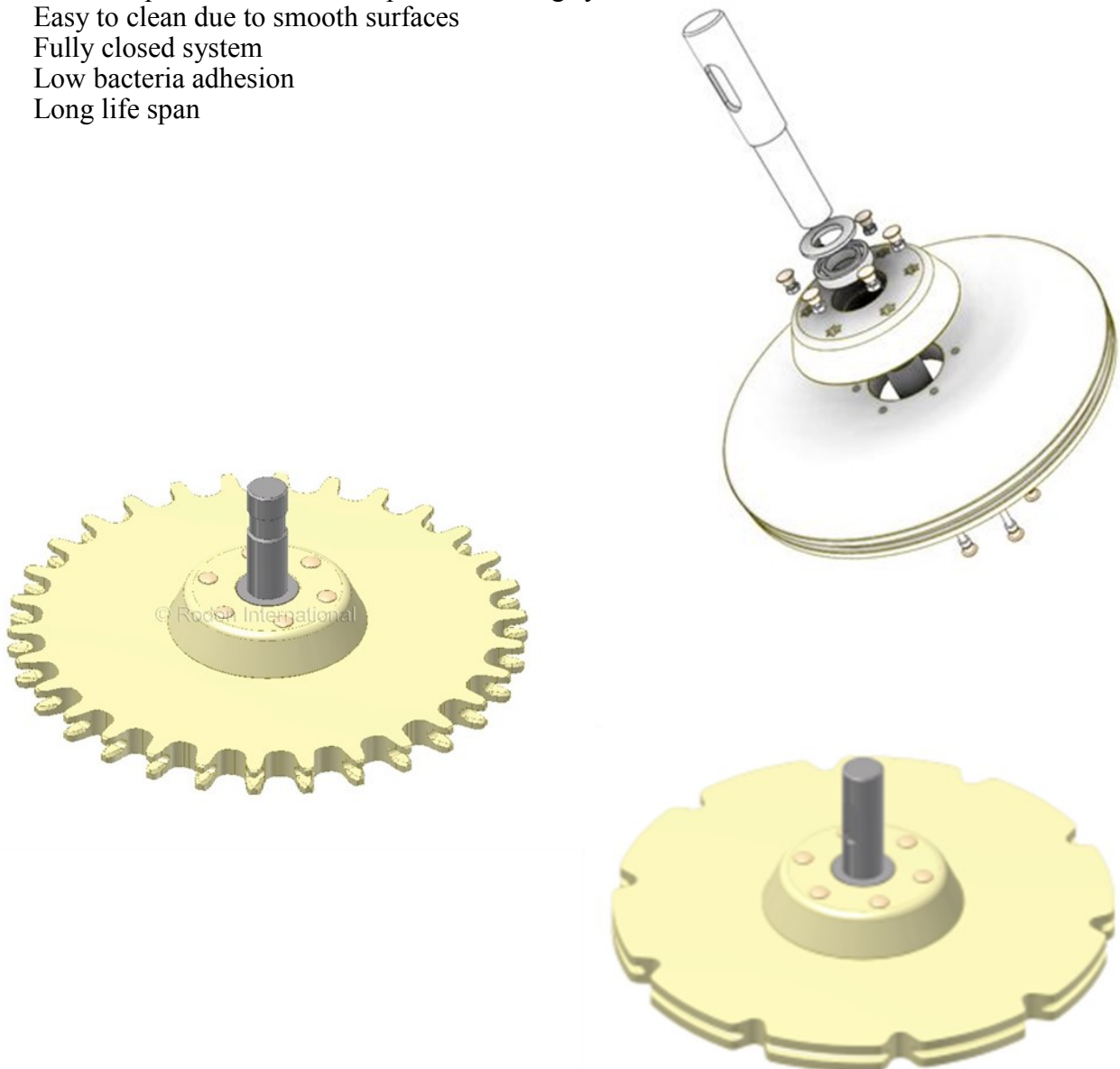
OC.40.T291.180.266

Note: to show the contours of the idler wheel, it is shown in natural colour instead of white or black.

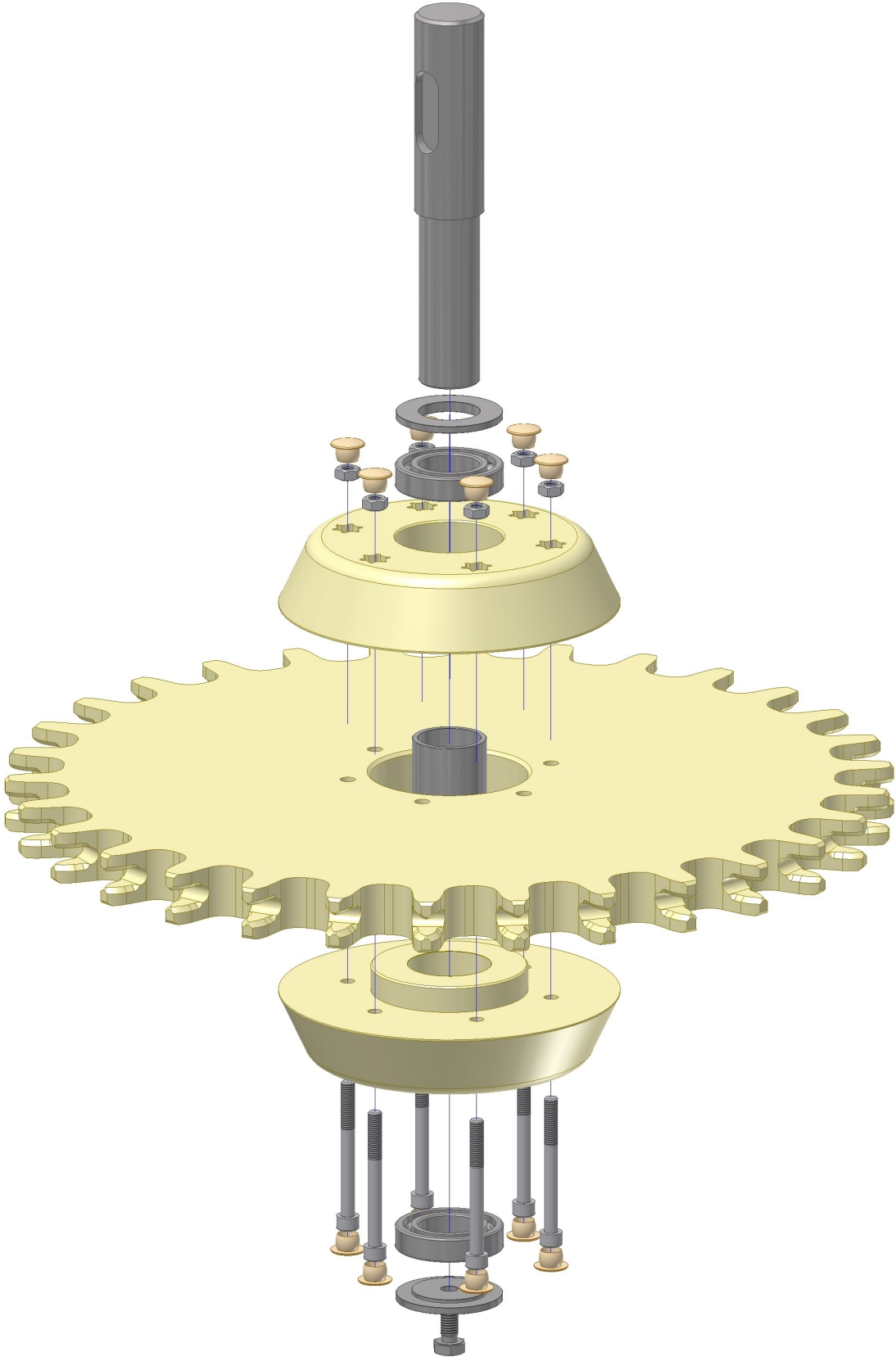
The divisible overhead conveyor corner wheel is made out of corrosion resistance materials and can be executed with many different idler or toothed wheels. This results in a wide range of divisible cornerwheels that can be used in all production areas.

Main advantages :

- Interchangeable with OEM
- Easy to replace
- 100% corrosion resistance due to stainless steel and synthetic materials
- Suitable for all diameters of cornerwheels
- Suitable for all brands of overhead conveyor systems
- Smooth operation due to multiple ball bearing system
- Easy to clean due to smooth surfaces
- Fully closed system
- Low bacteria adhesion
- Long life span



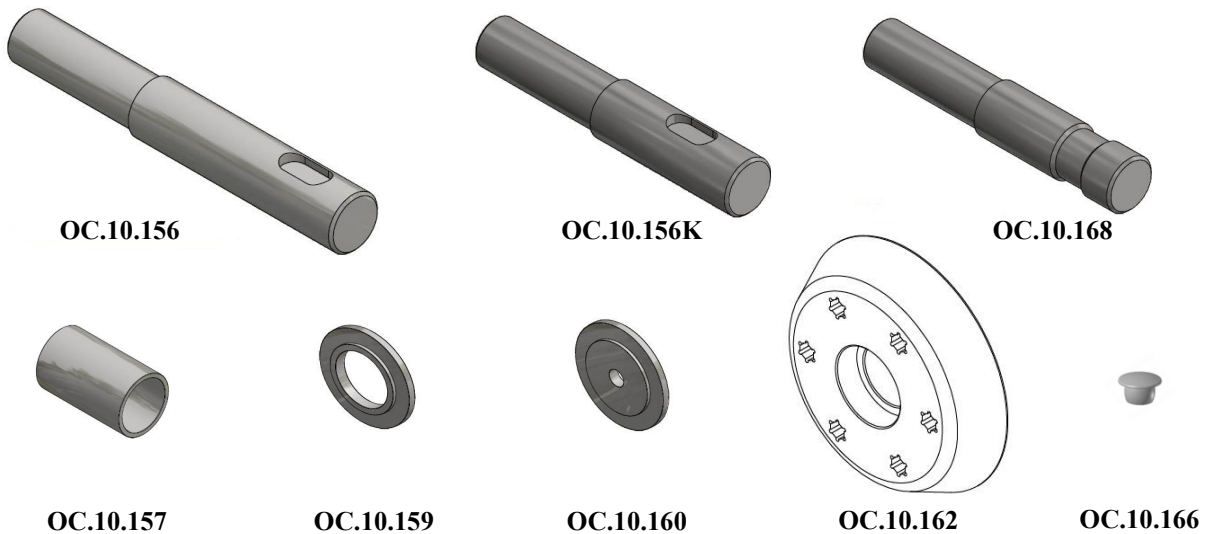
Note: to show the contours of the idler wheel, it is printed in natural colour instead of black.



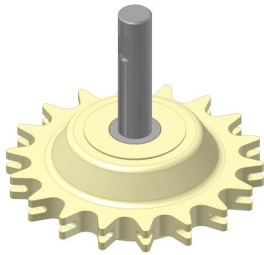
Overhead conveyor compatible with Linco Tube Track Idlerwheels



Rodon Int. nr:	Description:	Partnr.OEM:
OC.10.156	Shaft S.S. L=268, diam. 40mm	
OC.10.156K	Shaft S.S. L=220, diam. 40mm	
OC.10.157	Spacer S.S. L=70, diam.42,4mm	
OC.10.158	Drivewheel 18 teeth	
OC.10.159	Ring S.S. d=35,2 D=60mm. 6mm thick (cover)	
OC.10.160	Ring S.S. d=11 D=60mm. 6mm thick (cover)	
OC.10.161	Drivewheel 30 teeth, bore 53,3mm	
OC.10.162	Bearinghousing section synth. black	
OC.10.166	Skiffy Cap	
OC.10.168	Shaft L=222mm D=40mm	0871.0003
OC.10.572.18	Idlerwheel 18x2" compl.synth. Z=18 D=291mm	0990.W003.A00.71
OC.10.572.18D	Idlerwheel 18x2" compl.synth. Z=18 D=291mm, divisible	
OC.10.572.18DK	Idlerwheel 18x2" compl.synth. Z=18 D=291mm, short shaft, divisible	
OC.10.572.24	Idlerwheel 24x2" compl.synth. Z=24 D=388mm	0990.W003.A00.69
OC.10.572.24D	Idlerwheel 24x2" compl.synth. Z=24 D=388mm, divisible	
OC.10.572.24DK	Idlerwheel 24x2" compl.synth. Z=24 D=388mm, short shaft, divisible	
OC.10.572.30	Idlerwheel 30x2" compl.synth. Z=30 D=485mm	0990.W003.A00.73
OC.10.572.30D	Idlerwheel 30x2" compl.synth. Z=30 D=485mm, divisible	0990.W003.A00.73
OC.10.572.30DK	Idlerwheel 30x2" compl.synth. Z=30 D=485mm, short shaft, divisible	
OC.10.572.42DK	Idlerwheel 42x2" compl.synth. Z=42 D=679mm, short shaft, divisible	
OC.40.266Z	Idlerwheel compl.synth. D=266mm, divisible	
OC.40.363Z	Idlerwheel compl.synth. D=363mm, divisible	
OC.40.460Z	Idlerwheel compl.synth. D=460mm, divisible	



Overhead conveyor compatible with Linco Tube Track Idlerwheels



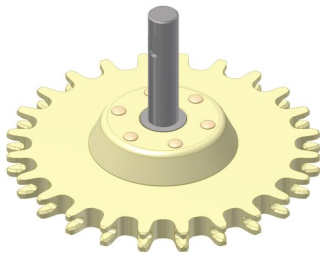
OC.10.572.18



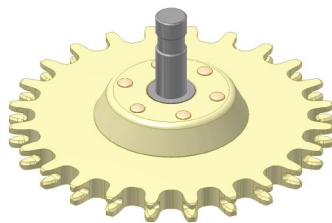
OC.10.572.18D



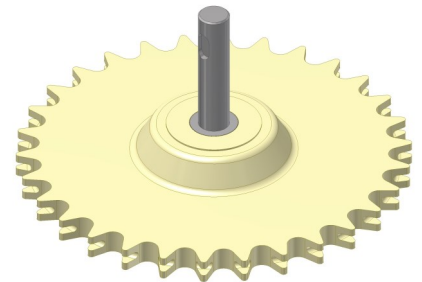
OC.10.572.18DK



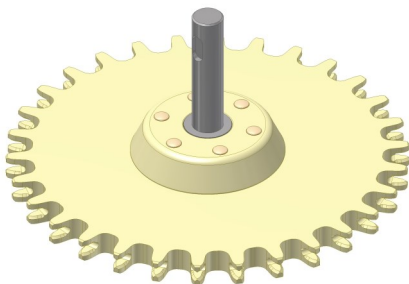
OC.10.572.24D



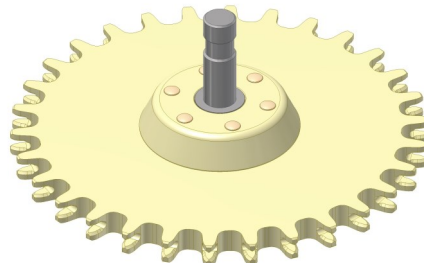
OC.10.572.24DK



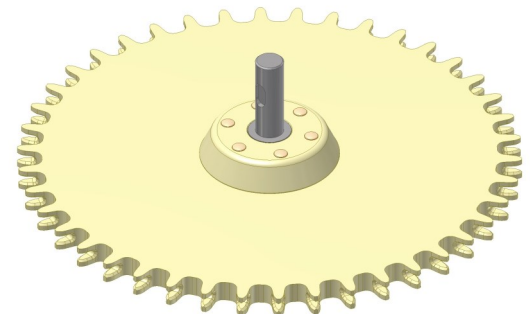
OC.10.572.30



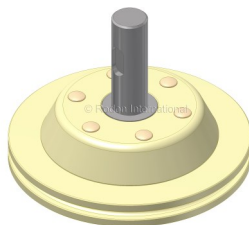
OC.10.572.30D



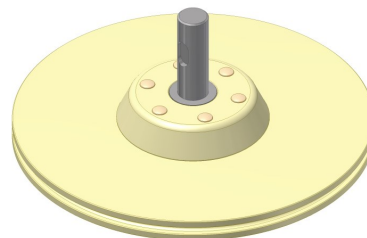
OC.10.572.30DK



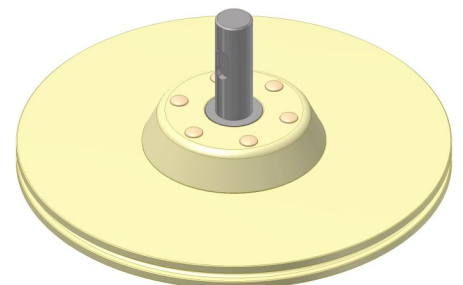
OC.10.572.42D



OC.40.266Z



OC.40.363Z



OC.40.460Z

Note: to show the contours of the idler wheel, it is printed in natural colour instead of black.

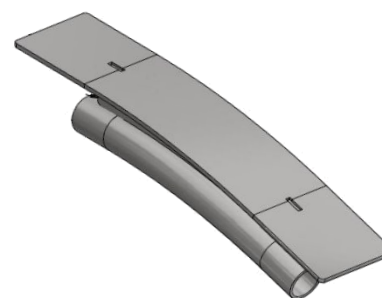
OC.40.048—OC.40.049
 Tube track 1 ¼" Up and Down section



Rodon Int. nr:	Description:	Partnr.OEM:	Pos.nr:
OC.40.048.15	S.S. tube track down part 15°		
OC.40.049.15	S.S. tube track up part 15°		
OC.40.048.20	S.S. tube track down part 20°	20.2105.212	
OC.40.049.20	S.S. tube track up part 20°	20.2105.211	
OC.40.048.30	S.S. tube track down part 30°	20.2105.702	
OC.40.049.30	S.S. tube track up part 30°	20.2105.201	



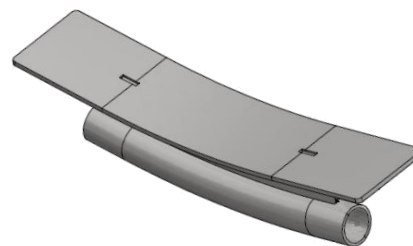
OC.40.048.30



OC.40.048.15



OC.40.049.30

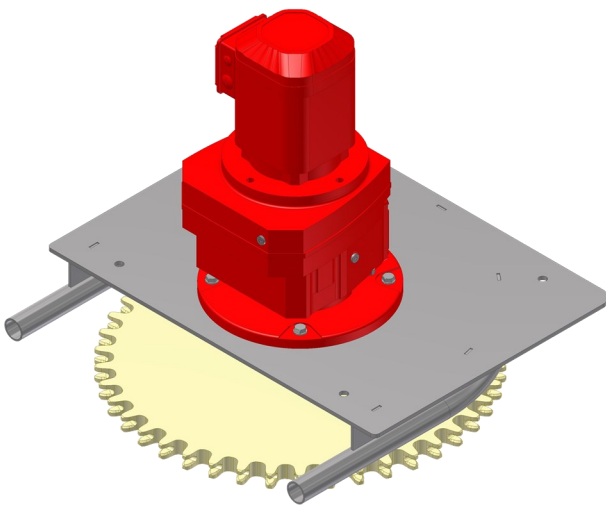


OC.40.049.15

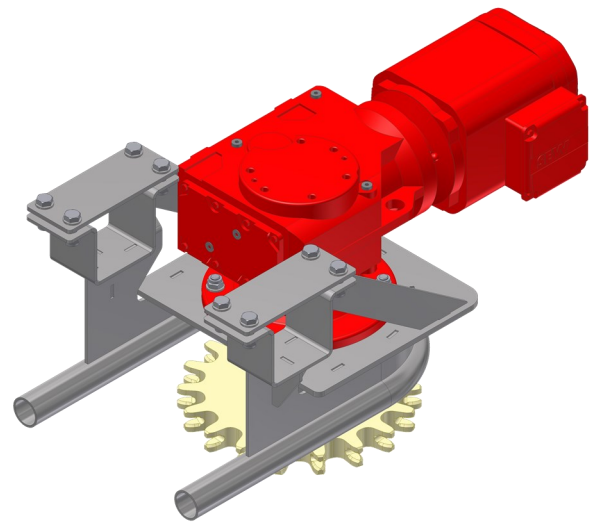
Overhead Conveyor Tube Track Drive units



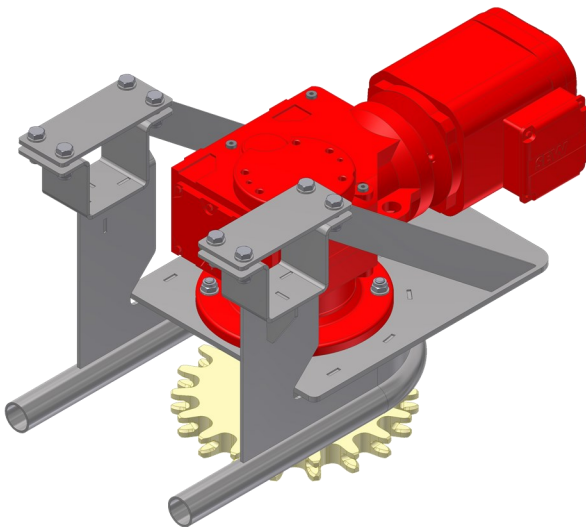
Rodon Int. nr:	Description:	Partnr.OEM:	Pos. nr:
OC.40.D679.180.42	S.S. tube track drive unit 1,5 kW D=679mm 180° Z=42		
OC.40.D291.180.18Z	S.S. Tube track Drive unit 1,5 kW D=291mm 180° Z=18		
OC.40.D291.180R.18Z	S.S. tube track Drive unit 1,5 kW D=291mm 180° Z=18 X=270		
OC.40.D291.090R.18Z	S.S. tube track Drive unit 1,5 kW D=291mm 90° Z=18 X=270		



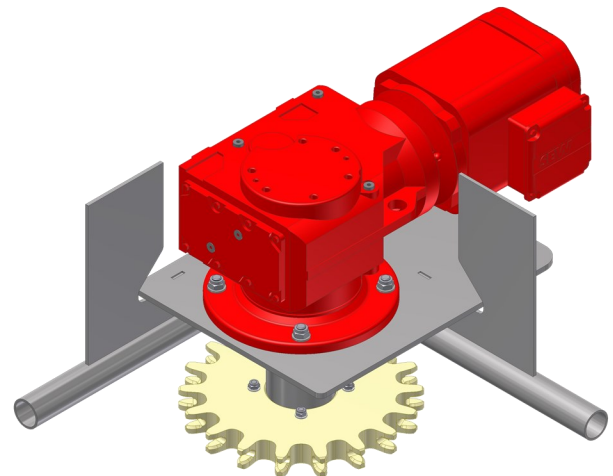
OC.40.D679.180.42



OC.40.D291.180.18Z



OC.40.D291.180R.18Z



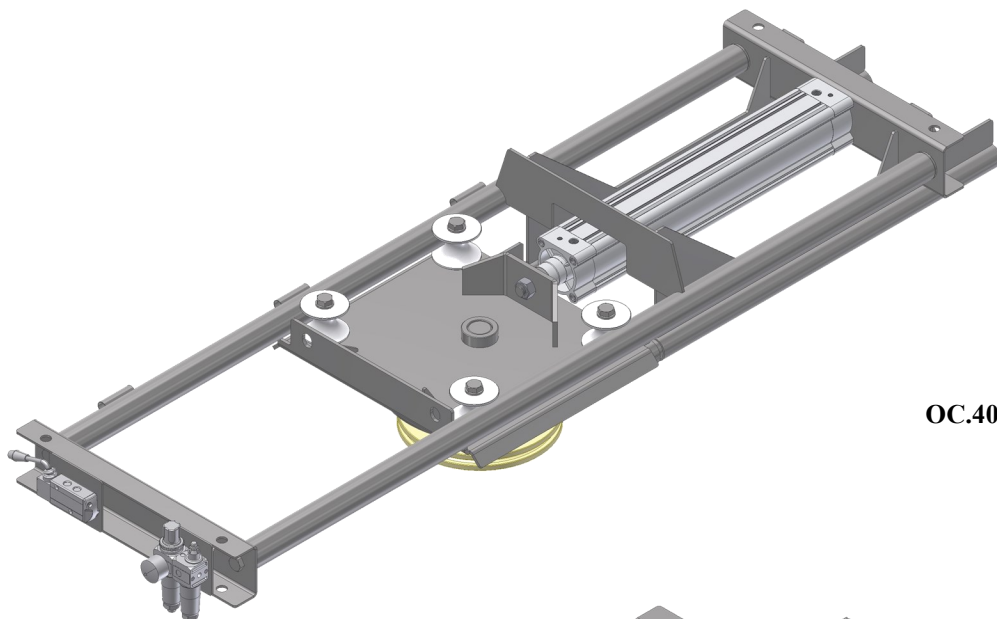
OC.40.D291.090R.18Z

Note: to show the contours of the idler wheel, it is shown in natural colour instead of white or black.

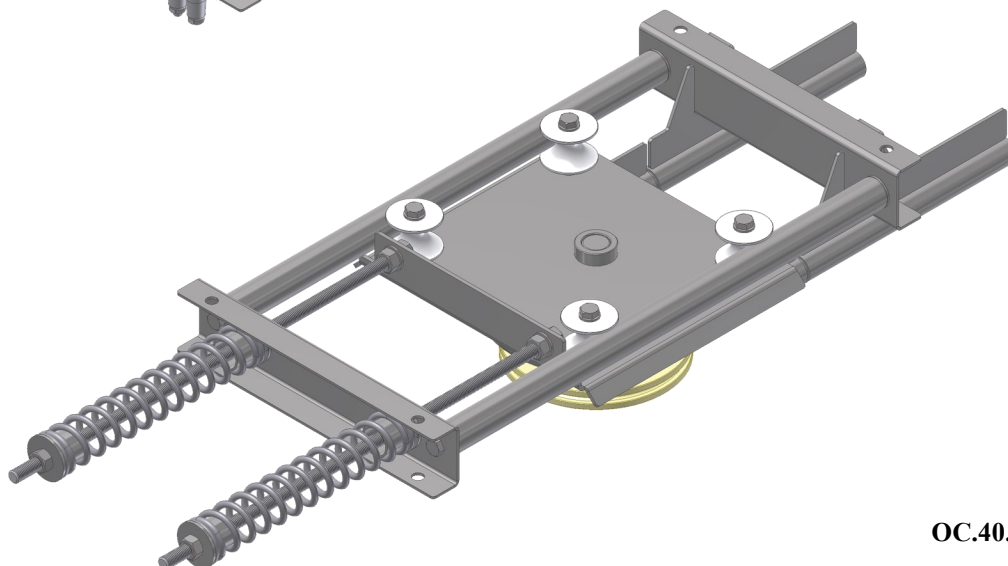
Overhead Conveyor Tube Track Tensioners



Rodon Int. nr:	Description:	Partnr.OEM:	Pos. nr:
OC.40.PT291.266Z	S.S. Pneumatic tube track Tensioner D=291mm complete incl. wheel		
OC.40.PT485.460Z	S.S. Pneumatic tube track Tensioner D=485mm complete incl. wheel		
OC.40.PT679.654Z	S.S. Pneumatic tube track Tensioner D=679mm complete incl. wheel		
OC.40.ST291.266Z	S.S. Spring tube track Tensioner D=291mm complete incl. wheel		
OC.266.090.6Z	Idler wheel 266x30 bore 90mm, 6 holes, black		
OC.40.MT679.Z42	S.S. Manual tube track tensioner D=679mm complete incl. wheel		



OC.40.PT291.266Z



OC.40.ST291.266Z

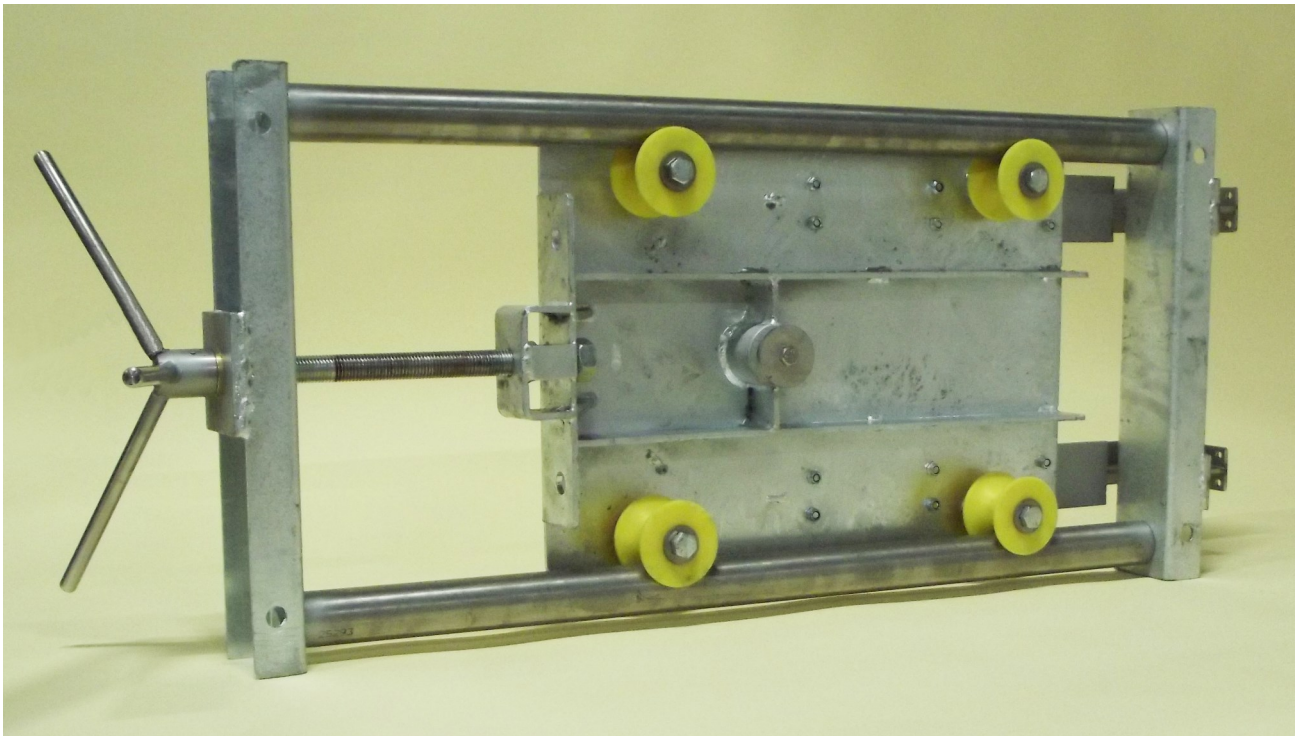
Note: to show the contours of the idler wheel, it is printed in natural colour instead of white or black.

OC.40.MT679.Z42

S.S. Manual tube track tensioner D=679mm complete incl. wheel



Rodon Int. nr:	Description:	Quantity:
OC.40.MT679.Z42	S.S. Manual tube track tensioner D=679mm complete incl. wheel	1 pc



Overhead conveyor Stainless steel T-track trolleys



Rodon Int. nr:	Description:	Partnr.OEM:	Pos.nr:
	Stainless steel T-Track bracket with blue wheel		
OC.40.509	Trolley wheel "wide" blue	67.504.9191.01	
OC.40.086	Trolleybracket S.S. for T-track	20.420.0700	
OC.40.518B	Trolley bracket half S.S. with blue wheel		
OC.40.528B	Trolley bracket complete S.S. with blue wheel		



OC.40.518B



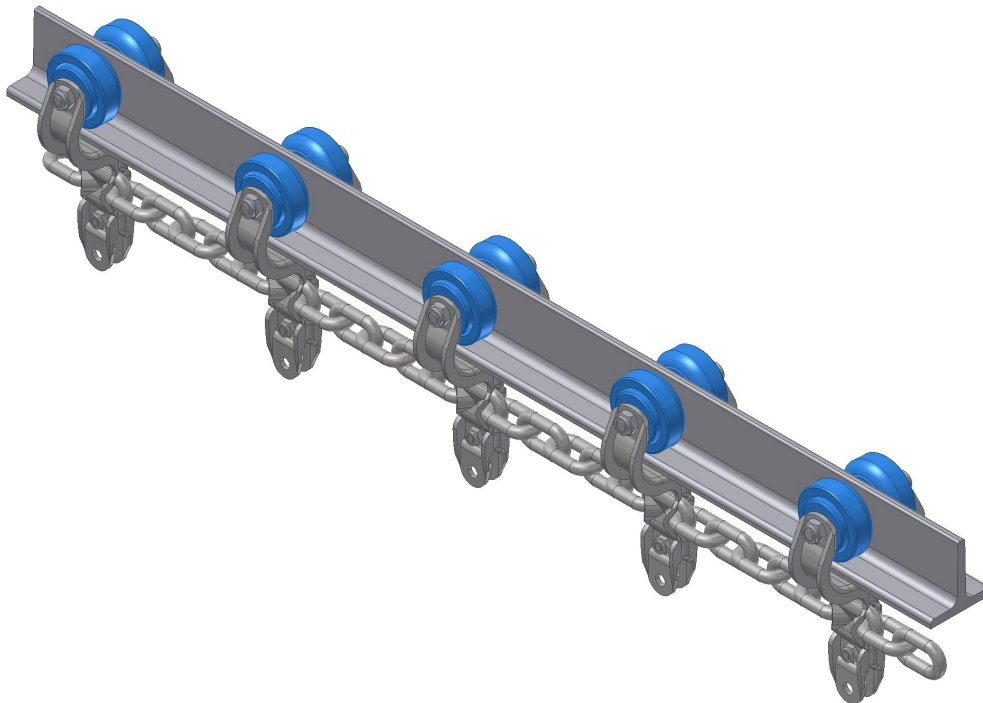
OC.40.528B

Linco Overhead conveyor

Chain with stainless steel T-track trolleys



Rodon Int. nr:	Description:	Partnr.OEM:	Pos.nr:
	Galvanized overheadconveyor chain		
OC.40.510B	Overheadconveyor chain 8x25,4mm, 4" w. S.S. trolleys for T-track		
OC.40.520B	Overheadconveyor chain 8x25,4mm, 6" w. S.S. trolleys for T-track		
OC.40.531B	Overheadconveyor chain 8x25,4mm, 8" w. S.S. trolleys for T-track		
OC.40.540B	Overheadconveyor chain 8x25,4mm, 10" w. S.S. trolleys for T-track		
OC.40.550B	Overheadconveyor chain 8x25,4mm, 12" w. S.S. trolleys for T-track		
	Stainless steel overheadconveyor chain		
OC.40.510SB	S.S. overheadconv. chain 8x25,4mm, 4" w. S.S. trolleys for T-track		
OC.40.520SB	S.S. overheadconv. chain 8x25,4mm, 6" w. S.S. trolleys for T-track		
OC.40.531SB	S.S. overheadconv. chain 8x25,4mm, 8" w. S.S. trolleys for T-track		
OC.40.540SB	S.S. overheadconv. chain 8x25,4mm, 10" w. S.S. trolleys for T-track		
OC.40.550SB	S.S. overheadconv. chain 8x25,4mm, 12" w. S.S. trolleys for T-track		



Cam wheel compatible with Linco



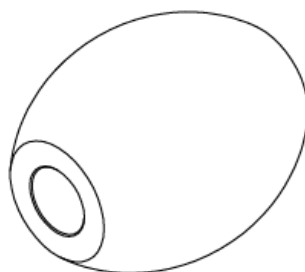
Rodon Int. nr:	Description:	Partnr.OEM:	Pos. nr:
OC.40.500	Cam wheel D = 44mm	009.401	
OC.40.501	Cam wheel D = 49mm	009.398	
OC.40.502	Cam wheel D = 50mm	009.399	
OC.40.503	Cam wheel D = 45mm		
OC.40.514	Cam wheel D = 50mm, no thread	009.403	
OC.40.519	Cam roller	009.40.21	



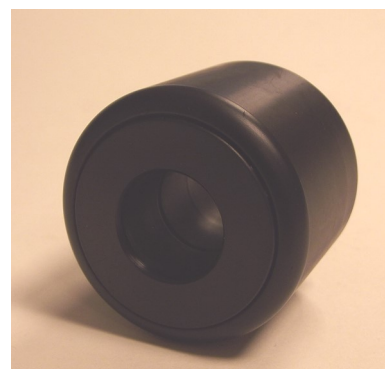
OC.40.501 / OC.40.502/ OC.40.503



OC.40.514



OC.40.519



OC.40.500

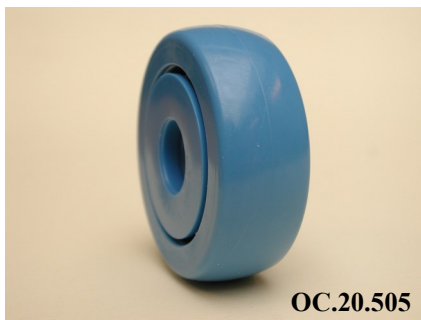


Overhead conveyor parts - others

Overhead Conveyor compatible with Cattaruzzi Chain with trolleys



Rodon Int. nr:	Description:	Partnr.OEM:	Pos.nr:
OC.60.005	Trolley bracket grey		
OC.20.505	Trolley wheel blue		
OC.00.107	Chain only 38x8mm		
OC.60.508	Trolley half incl. wheel		
OC.60.509	Trolley Catt. Complete		
OC.60.520	Overheadconveyor chain with trolleys on 6"pitch		



Overhead Conveyor compatible with Pennine Chain with trolleys



Rodon Int. nr:	Description:	Partnr.OEM:	Pos.nr:
OC.80.001	Trolley bracket blue		
OC.50.505	Trolley wheel blue		
OC.80.501	Trolley half incl. wheel		
OC.80.502	Trolley complete		
OC.00.100P	Chain only		
OC.80.520	Overhead conveyor chain with trolleys on 6"pitch		
OC.80.530	Overhead conveyor chain with trolleys on 8"pitch		
OC.80.540	Overhead conveyor chain with trolleys on 10"pitch		



OC.50.505



OC.80.001



OC.80.501



OC.80.502



OC.80.520

Overhead Conveyor Heavy Duty Trolleys Maximum 40 Kg.



Rodon Int. nr:	Description:	Partnr.OEM:	Pos. nr:
OC.95.505	Heavy duty trolley wheel D=50 mm		
OC.20.001	Trolley bracket aluminum for T-track	2R.445.945	
OC.95.501	Heavy duty trolley half, aluminum bracket for T-track		
OC.40.086	Trolley bracket stainless steel for T-track	20.420.0700 - 0990.T023.000.12	
OC.92.502	Heavy duty trolley half, stainless steel bracket for T-track		
OC.10.001	Trolley bracket synthetic compatible with Meyn	0990.T022.005.00 -120.00.84	46
OC.95.503	Heavy duty trolley half, synthetic bracket compatible with Meyn		
OC.40.025	Trolley bracket synthetic for tube track	20.403.0002	
OC.95.506	Heavy duty trolley half, synthetic bracket for tube track		
OC.30.005	Trolley bracket stainless steel for tube track	20.400.0001	
OC.95.507	Heavy duty trolley half, stainless steel bracket for tube track		
OC.20.005	Trolley bracket synthetic compatible with Stork	2R.591.375	201
OC.95.508	Heavy duty trolley half, synthetic bracket compatible with Stork		
OC.30.002	Trolley bracket cast iron for tube track	20.401.0000	
OC.95.509	Heavy duty trolley half, cast iron bracket for tube track		



Overhead Conveyor Heavy Duty Trolleys
Maximum 40 Kg.



OC.95.501



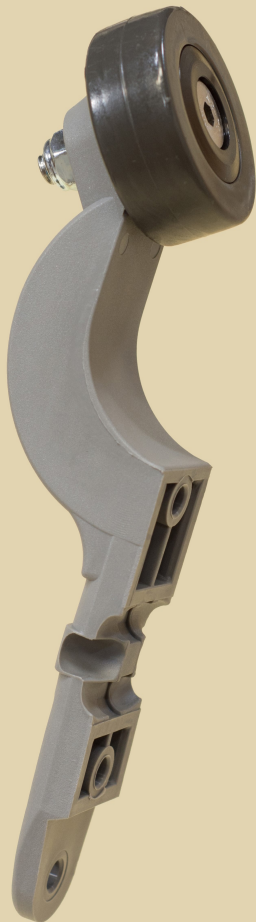
OC.95.502



OC.95.503



OC.95.508



OC.95.506



OC.95.507



OC.95.509